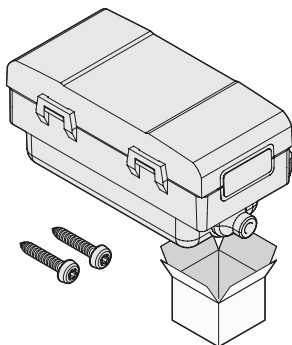
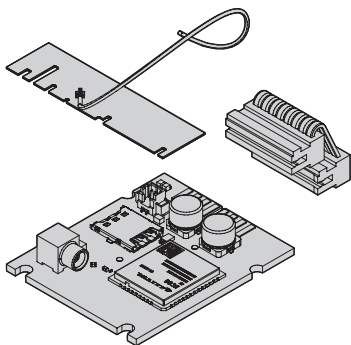
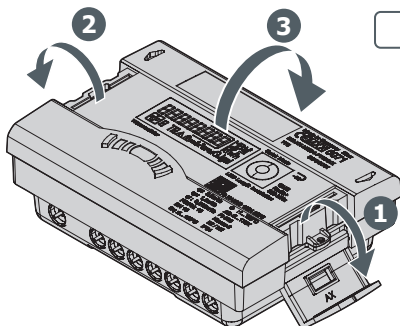
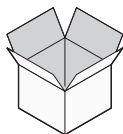


NB-IoT module with battery pack

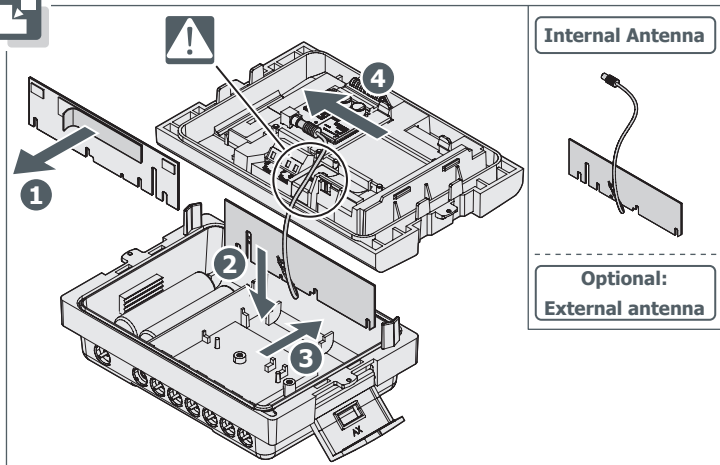
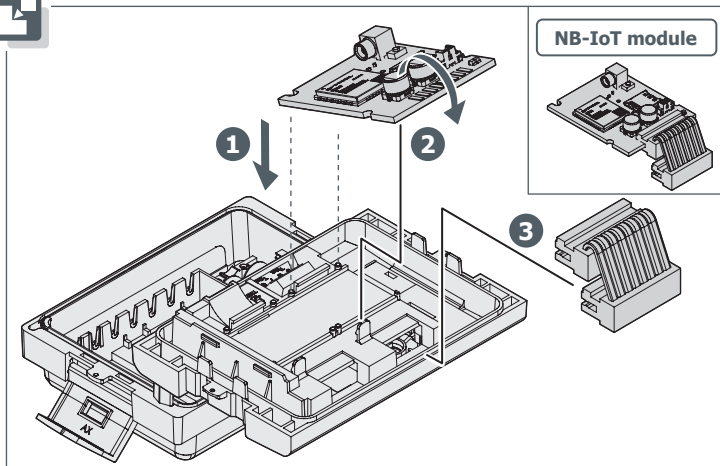


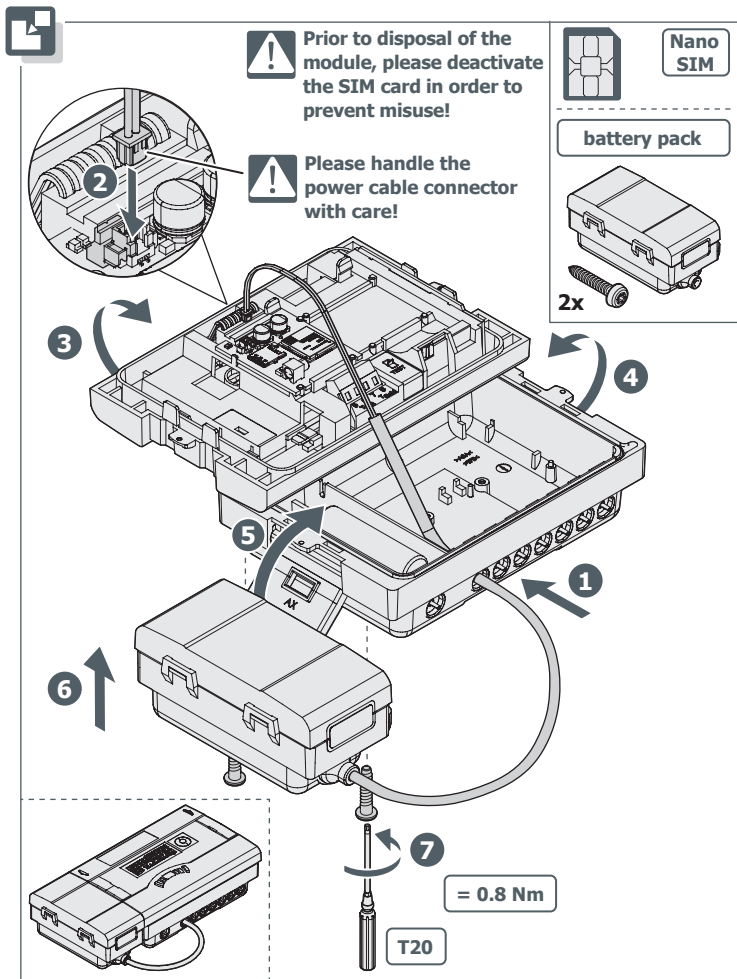
Pairing Information & Keys



SHARKY 775

NB-IoT module with battery pack

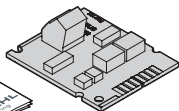




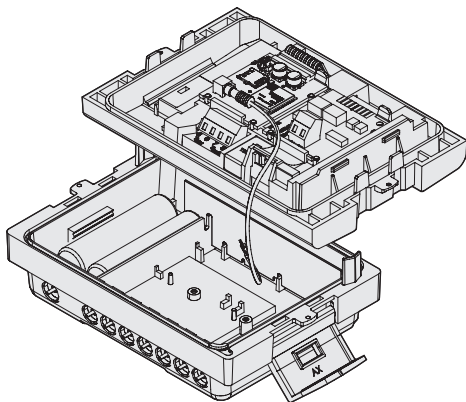
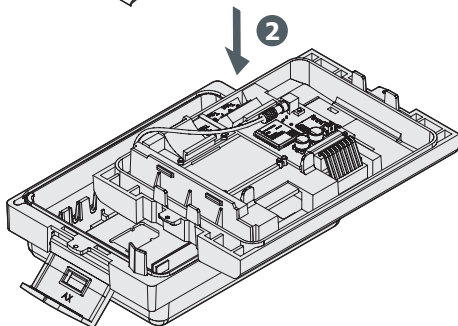
NB-IoT module with battery pack



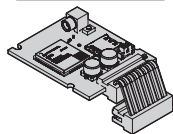
1



2

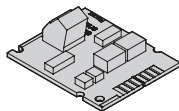


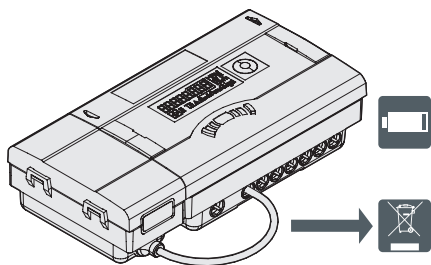
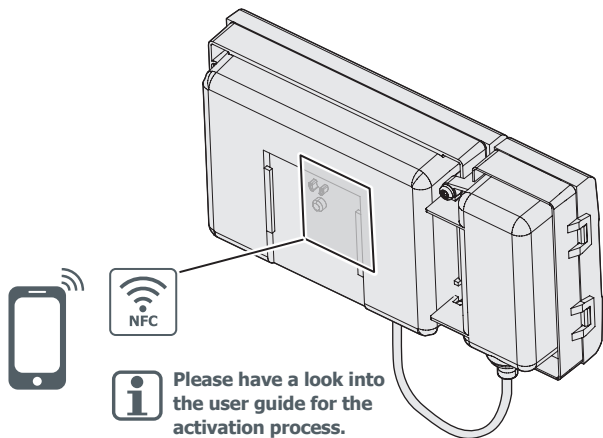
NB-IoT module



**In case of second
module**

**M-Bus, MOD
bus, Pulse, ...**

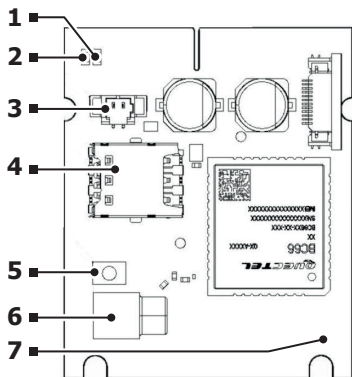






Function NB-IoT module

1. Green LED
2. Red LED
3. Battery Power Connector
4. SIM Card Holder
5. Push Button
6. Antenna Connector (MCX)
7. NFC Antenna (around whole board)



Mechanics

- SIM card: Size Nano

Electrical connections

Battery life time	13 + 1 year The battery life time is based on ECL0 and hourly reading (once / day)
Nominal voltage PSU	-
Nominal voltage Battery	3,0 VDC
Power consumption (max.)	400 mA
Power consumption (StandBy)	6 μ A

Environmental specification

Operating temperature	+5 °C to +55 °C
Operating humidity	0 - 93 % RH, no condensation

Cellular network

Band	20, 8, 3
3GPP	Release 14 (NB2)
Transmit power (max.)	23,0 dBm
Receiver sensitivity	-135 dBm

NB-IoT module with battery pack

Mat.-Nr. 3124903 • 23/2/2023

