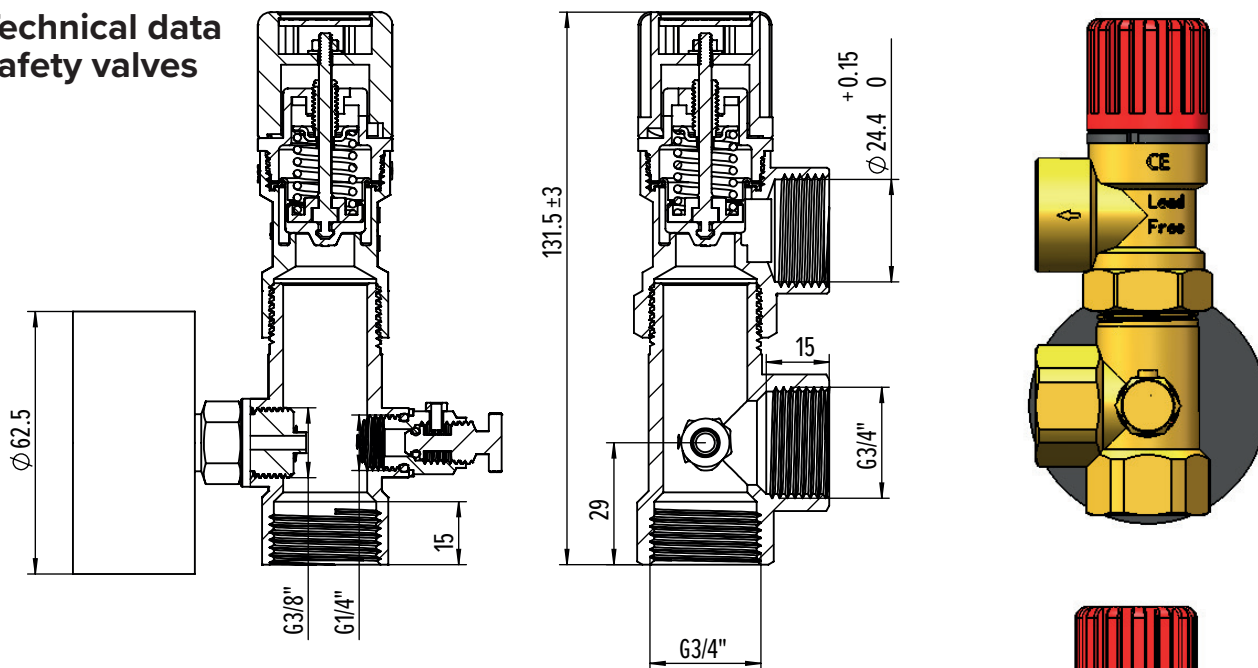
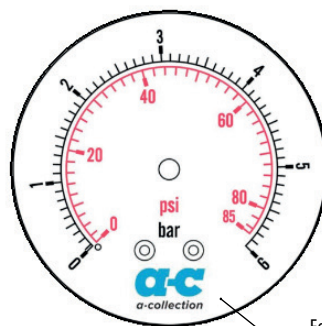
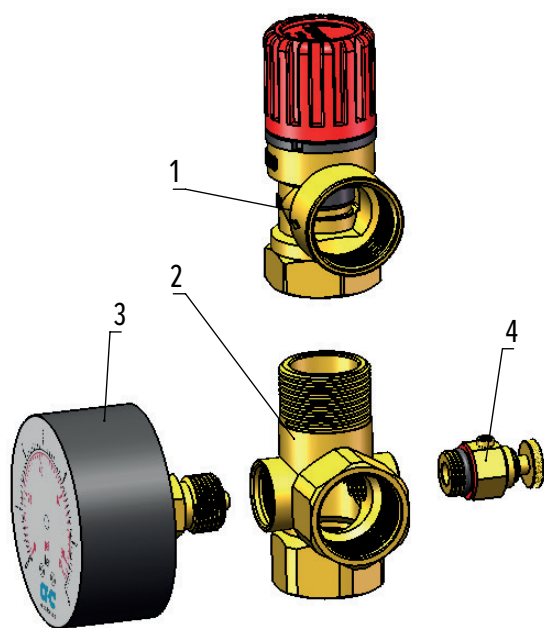


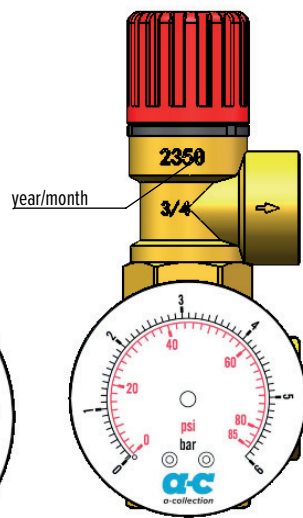
Technical data  
safety valves



A



Font for Arial  
Colour for PMS647C



Loose assembly of safety valve, fitting body, pressure gauge and water manifold

NO	Name	Material	QTY
1	Safety Valve	CW511L-S	1
2	Fitting Body	CW617N	1
3	Pressure Gauge	/	1
4	Water Manifold	CW617N	1

B

SE	NO	DK	Specification
5029005	1381873	10426816A	1.5 Bar

