



# Oras

Installation and maintenance guide





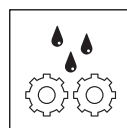
4-7



8-10



10



11-18



19



Accepterad  
monteringsanvisning  
2021:1



1445 KIWA Sverige 1913

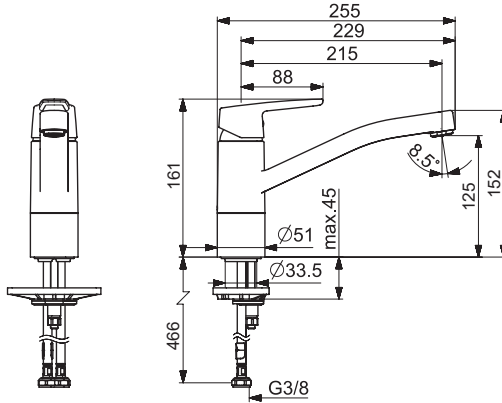


SV: Dessa blandare uppfyller kraven gällande återströmning enligt SS-EN 1717 och SäVa § 5.3 utan behov av kompletterade produkter eller åtgärder.



## 1530F

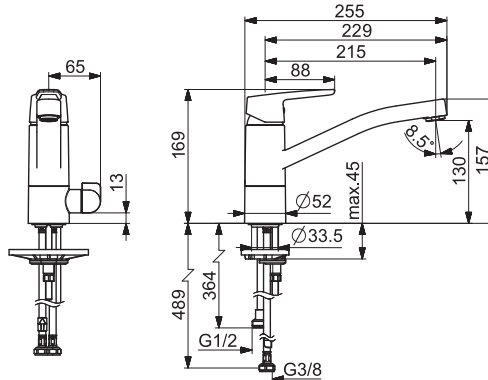
I (ISO 3822) Oras lab.  
 EN 817  
 50 - 1000 kPa  
 0.078 l/s (Eco)  
 0.13 l/s (300 kPa)  
 180 kPa (0.1 l/s)  
 max. +70°C



[mpi.oras.com/1530F](http://mpi.oras.com/1530F)

## 1535F

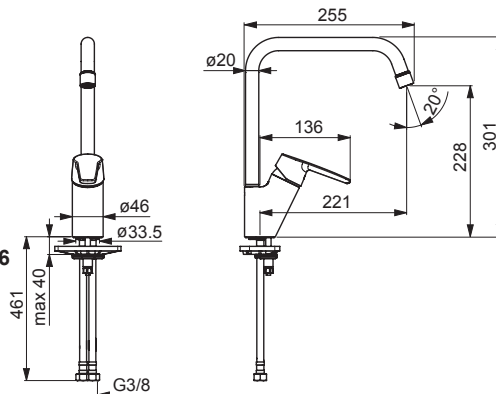
I (ISO 3822) Oras lab.  
 EN 817  
 50 - 1000 kPa  
 0.078 l/s (Eco)  
 0.13 l/s (300 kPa)  
 180 kPa (0.1 l/s)  
 max. +70°C



[mpi.oras.com/1535F](http://mpi.oras.com/1535F)

## 1533F, 1533F-106

I (ISO 3822) Oras lab,  
 EN 817  
 50 - 1000 kPa  
 0.078 l/s (Eco)  
 0.13 l/s (300 kPa)  
 180 kPa (0.1 l/s)  
 0.081 l/s (Eco) **1533F-106**  
 0.088 l/s (300 kPa w/Controller) **1533F-106**  
 max. +70°C

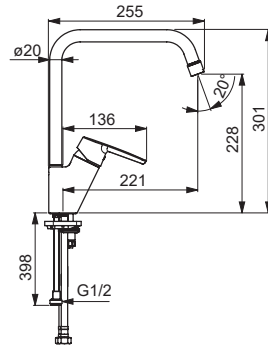
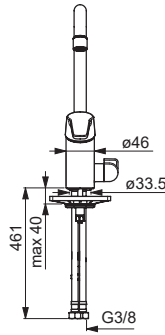


[mpi.oras.com/1533F](http://mpi.oras.com/1533F)



## 1534F , 1534F-106, 1534FK

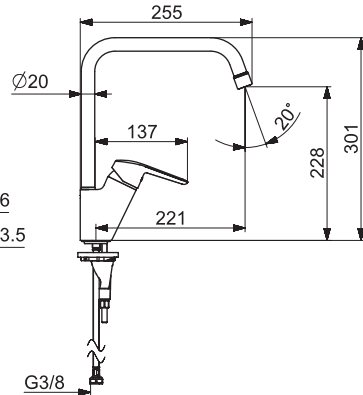
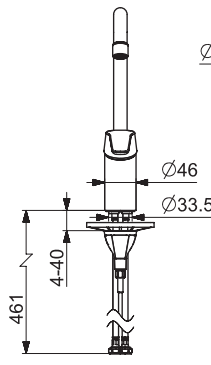
I (ISO 3822) Oras lab,  
 EN 817  
 50 - 1000 kPa  
 0.078 l/s (Eco)  
 0.07 l/s (Eco) **1534F-106**  
 0.13 l/s (300 kPa)  
 0.09 l/s (300 kPa w/Controller) **1534F-106**  
 180 kPa (0.1 l/s)  
 max. +70°C



[mpi.oras.com/1534F](http://mpi.oras.com/1534F)

## 1533FL-106

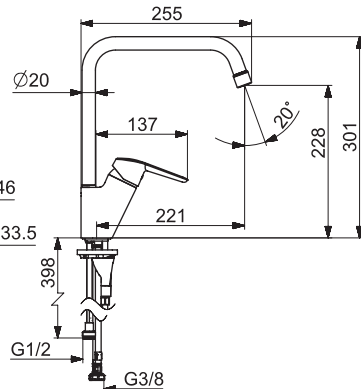
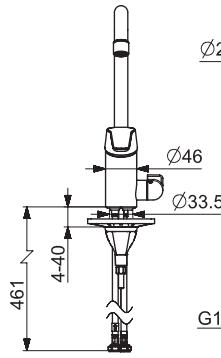
I (ISO 3822) Oras lab,  
 EN 817  
 50 - 1000 kPa  
 0.07 l/s (Eco)  
 0.09 l/s (300 kPa w/Controller)  
 max. +70°C



[mpi.oras.com/1533FL-106](http://mpi.oras.com/1533FL-106)

## 1534FL-106

I (ISO 3822) Oras lab,  
 EN 817  
 50 - 1000 kPa  
 0.07 l/s (Eco)  
 0.09 l/s (300 kPa w/Controller)  
 max. +70°C

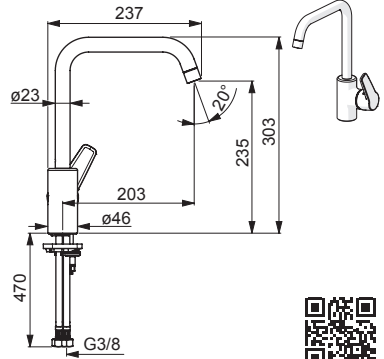
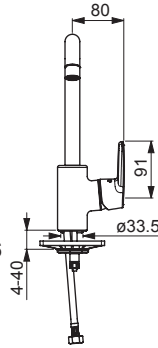


[mpi.oras.com/1534FL-106](http://mpi.oras.com/1534FL-106)



## 1531F, 1531F-106

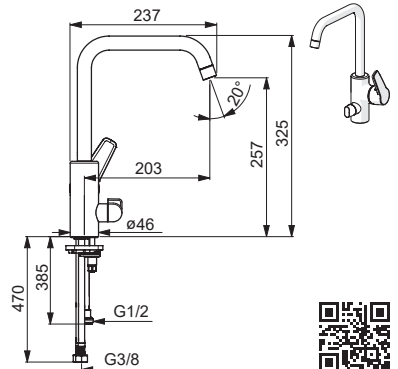
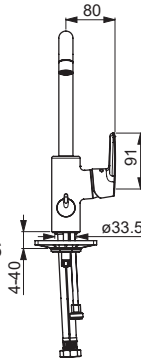
I (ISO 3822) Oras lab,  
 EN 817  
 50 - 1000 kPa  
 0.078 l/s (Eco)  
 0.13 l/s (300 kPa)  
 180 kPa (0.1 l/s)  
 0.08 l/s (Eco) **1531F-106**  
 0.085 l/s (300 kPa w/Controller) **1531F-106**  
 max. +70°C



[mpi.oras.com/1531F](http://mpi.oras.com/1531F)

## 1536F, 1536F-106

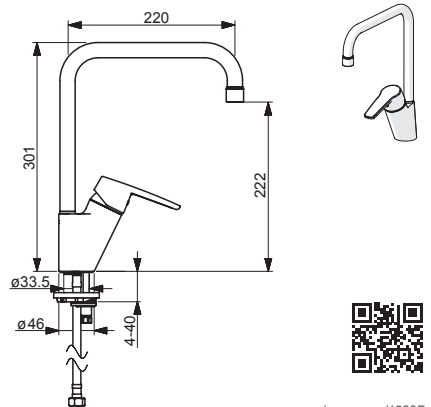
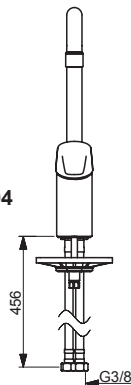
I (ISO 3822) Oras lab,  
 EN 817  
 50 - 1000 kPa  
 0.078 l/s (Eco)  
 0.13 l/s (300 kPa)  
 180 kPa (0.1 l/s)  
 0.081 l/s (Eco) **1536F-106**  
 0.091 l/s (300 kPa w/Controller) **1536F-106**  
 max. +70°C



[mpi.oras.com/1536F](http://mpi.oras.com/1536F)

## 1523F, 1523F-104

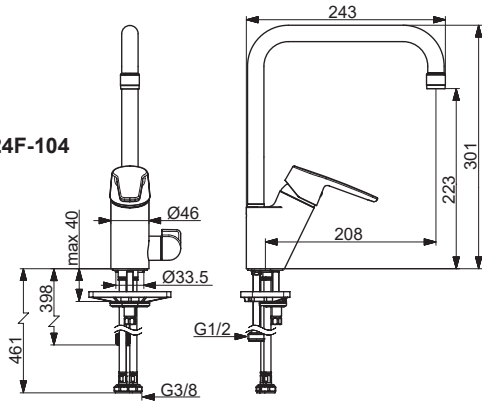
I (ISO 3822) Oras lab,  
 EN 817  
 50 - 1000 kPa  
 0.078 l/s (Eco)  
 0.13 l/s (300 kPa)  
 180 kPa (0.1 l/s)  
 0.056 l/s (300 kPa w/Controller) **1523F-104**  
 max. +70°C



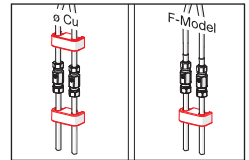
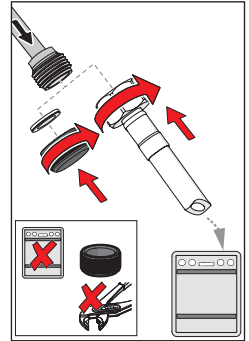
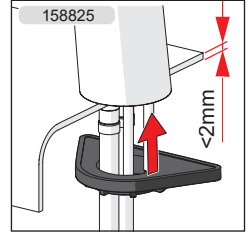
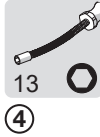
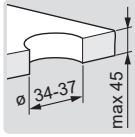
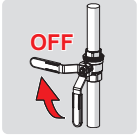
[mpi.oras.com/1523F](http://mpi.oras.com/1523F)

## 1524F-104

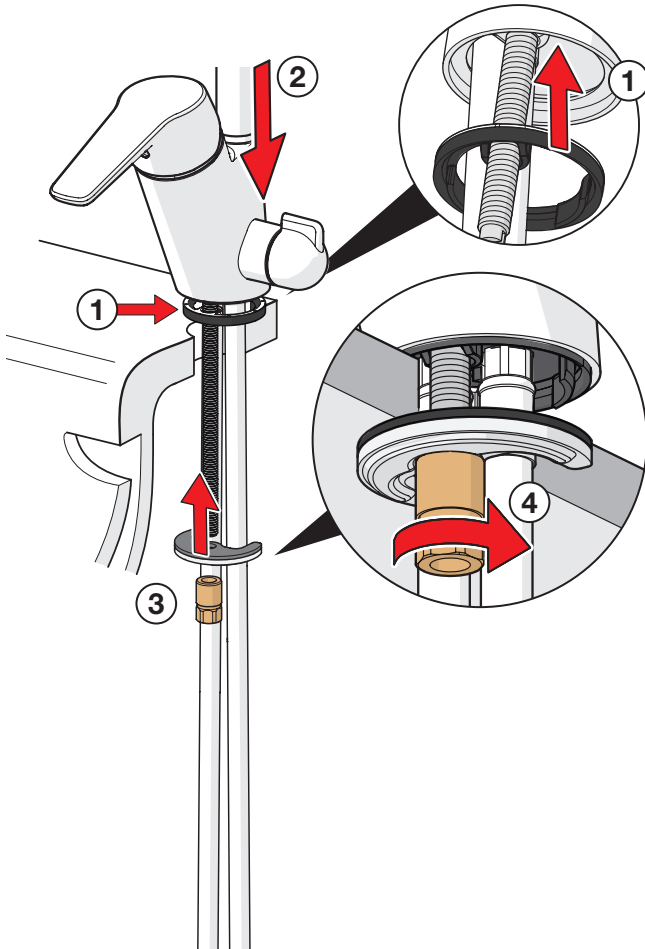
I (ISO 3822) Oras lab,  
EN 817  
50 - 1000 kPa  
0.056 l/s (300 kPa w/Controller) **1524F-104**  
max. +70°C

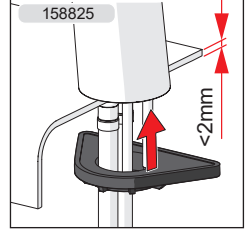
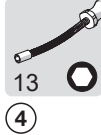
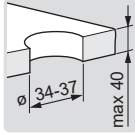
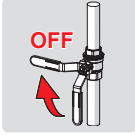


[mpi.oras.com/1524F-104](http://mpi.oras.com/1524F-104)

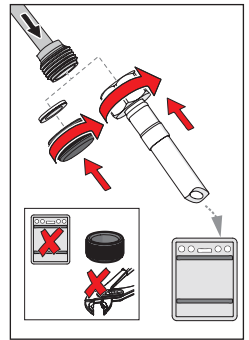
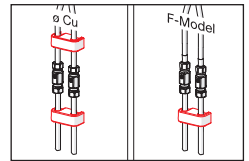
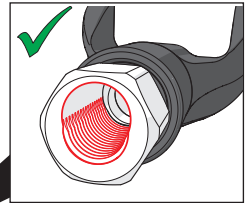
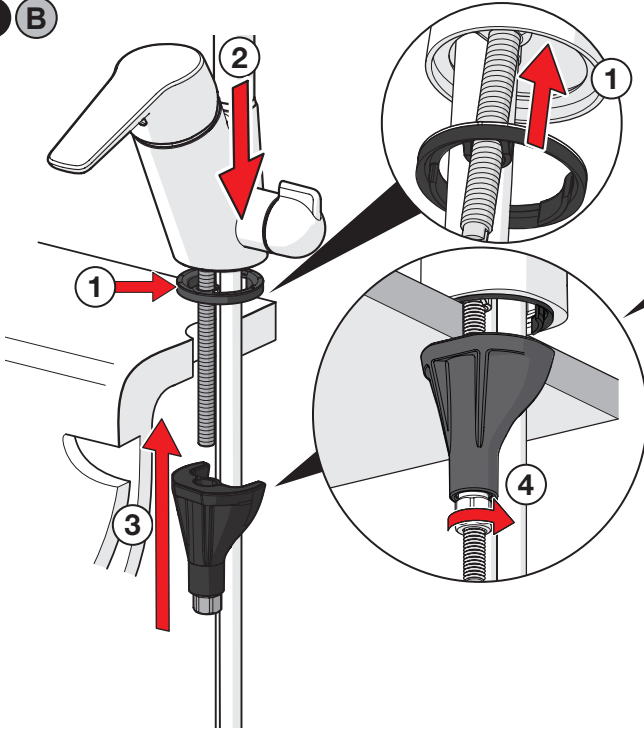


1 A





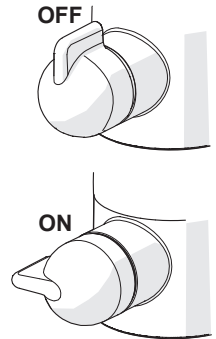
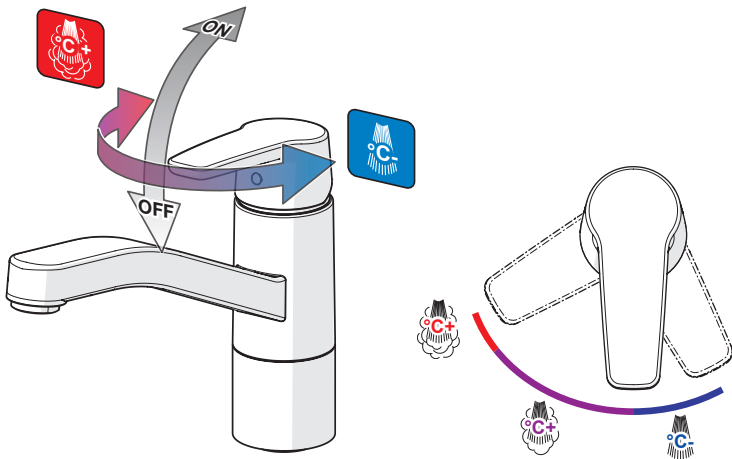
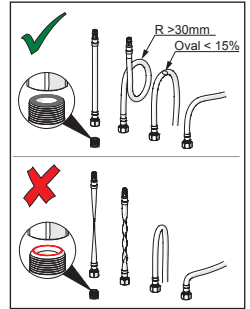
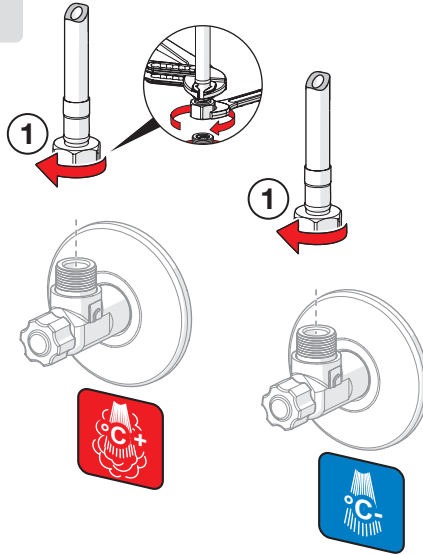
1 B

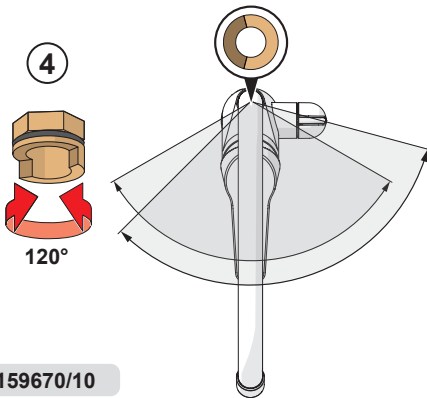
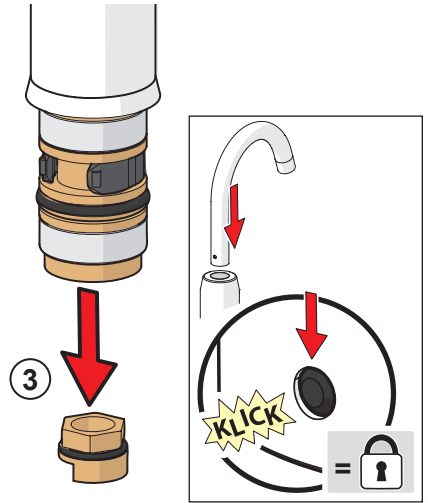
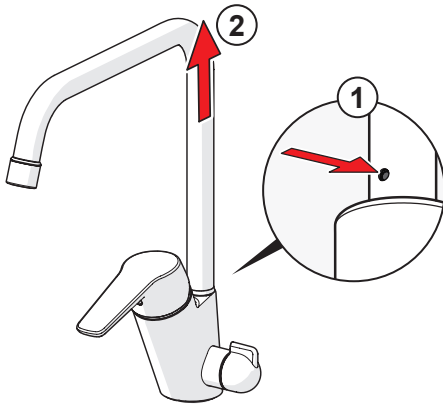
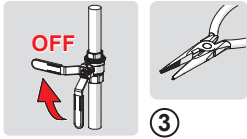




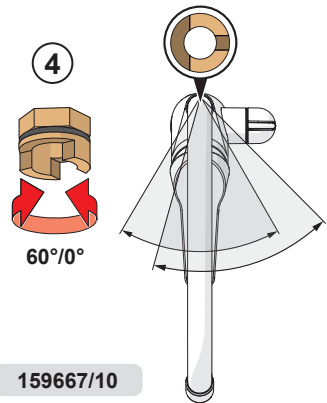
1

max.  
1600 kPa

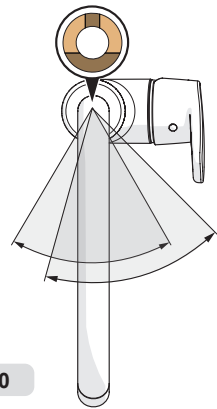
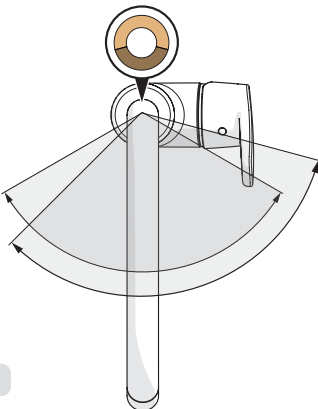
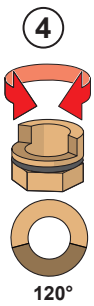
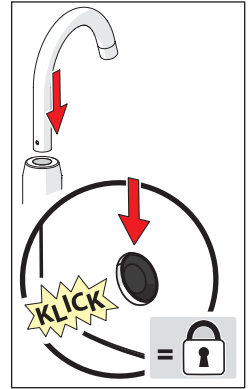
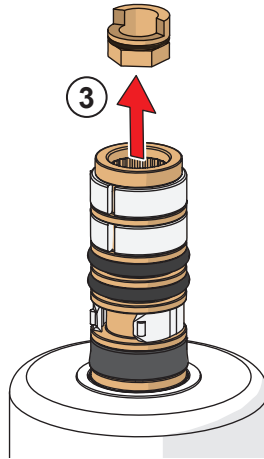
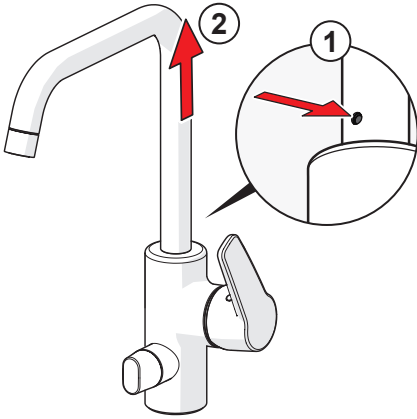
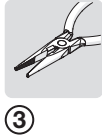
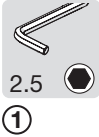
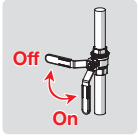




159670/10



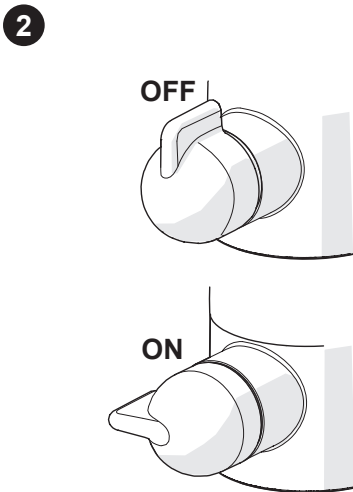
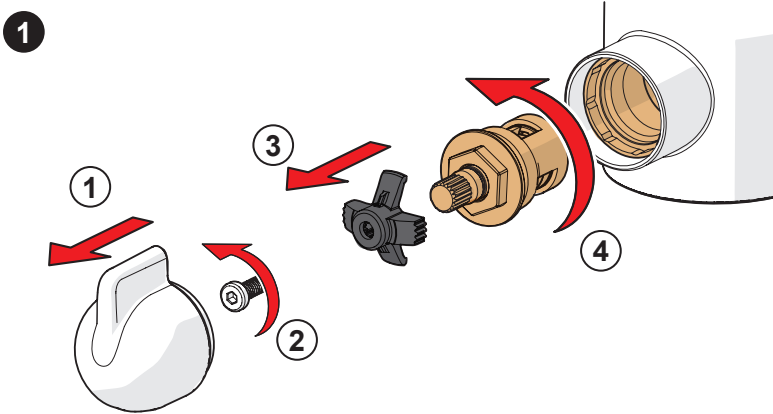
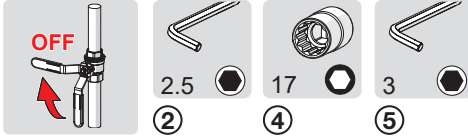
159667/10

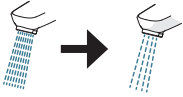


159670/10

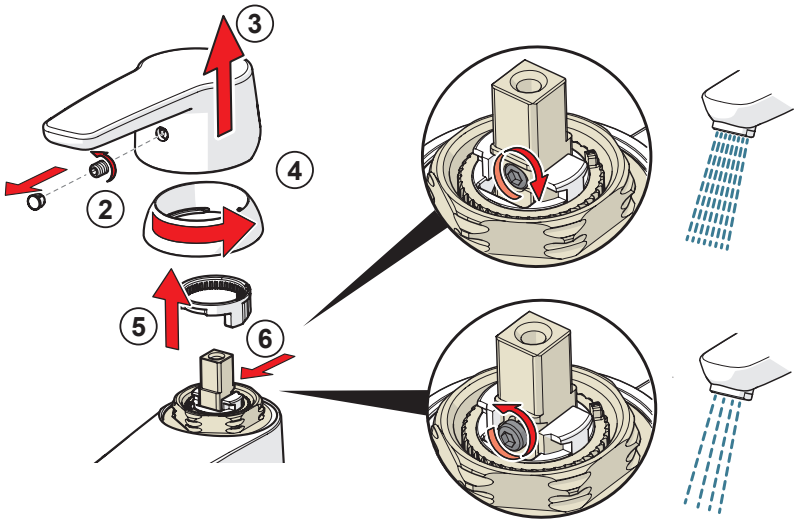
159667/10





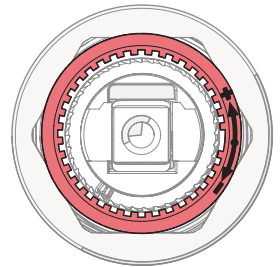
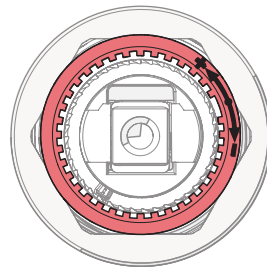
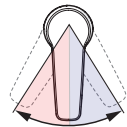
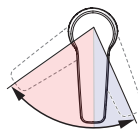
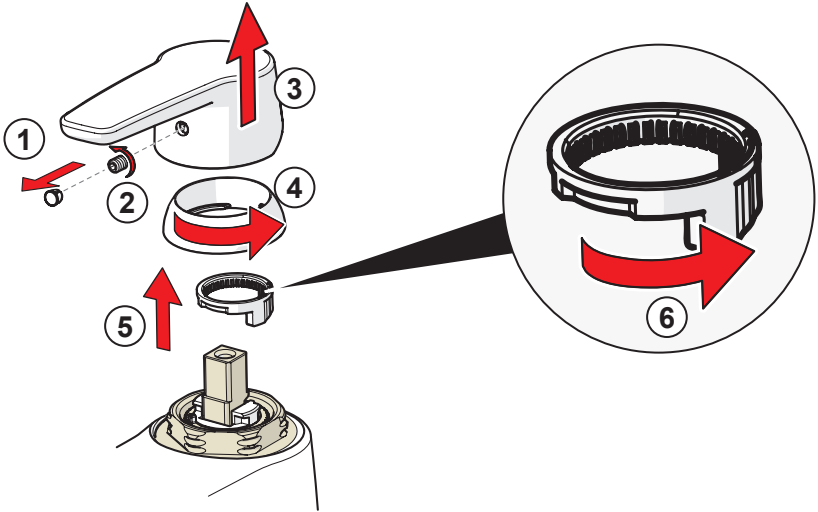


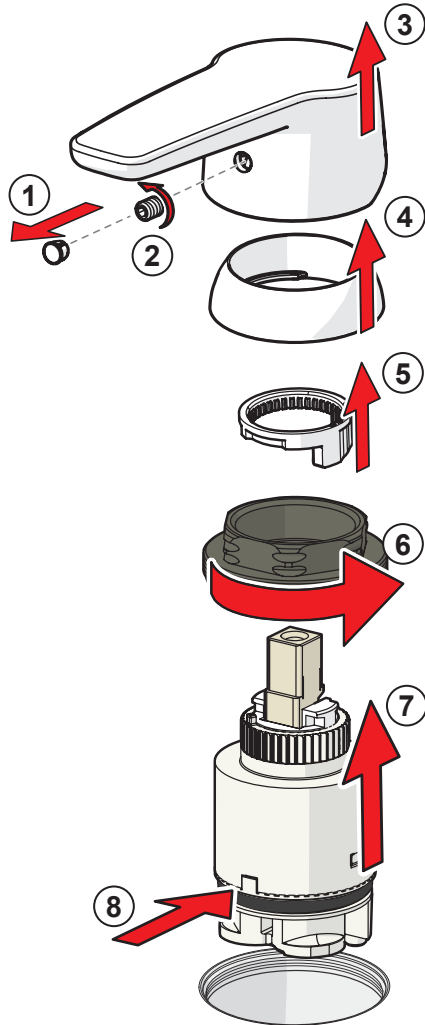
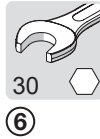
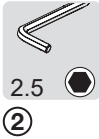
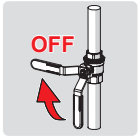
2 6

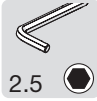




②







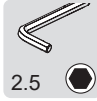
2.5  
A1



GREASE  
G1



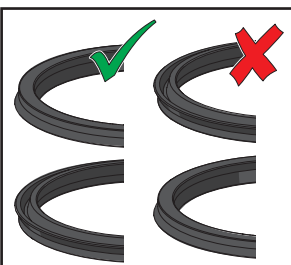
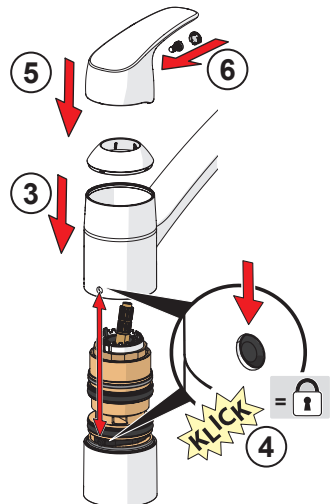
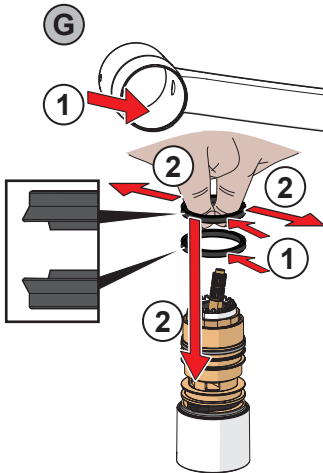
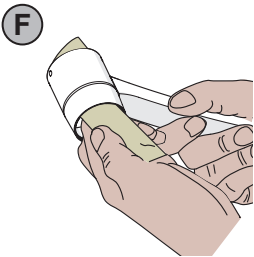
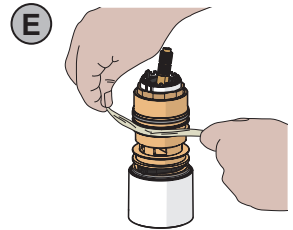
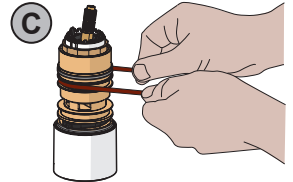
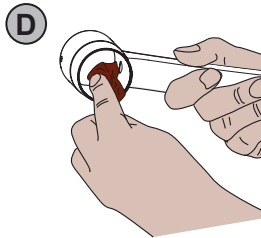
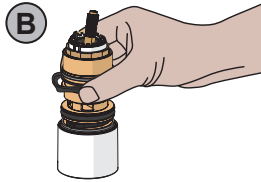
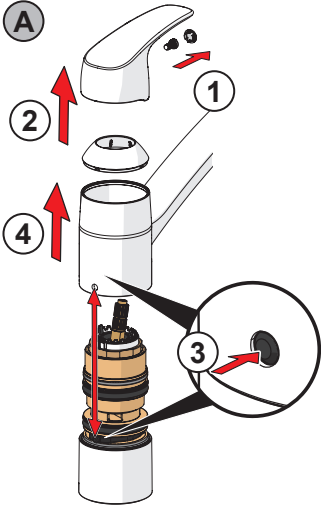
G2



2.5  
G6



A





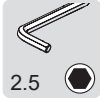
A1



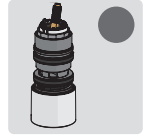
G1



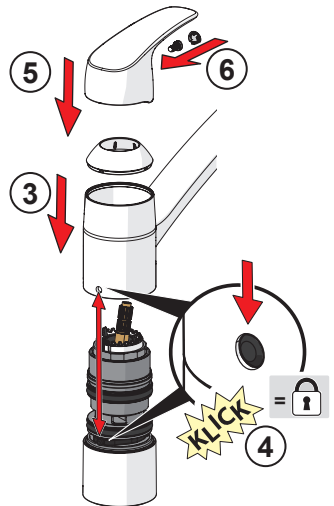
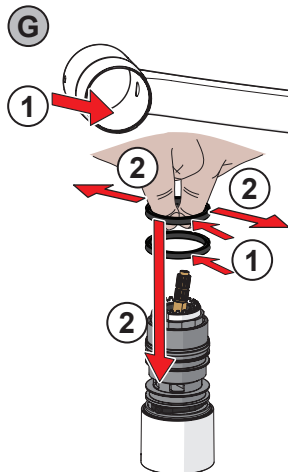
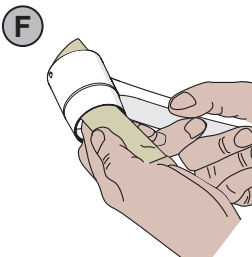
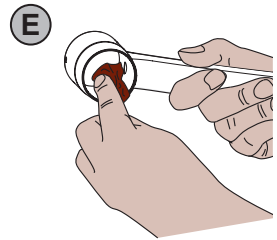
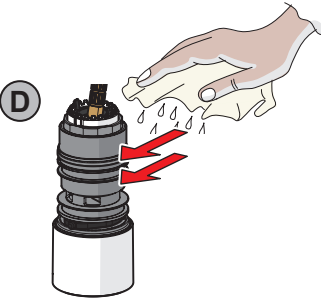
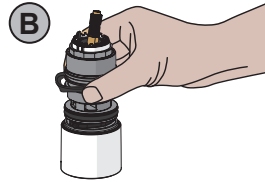
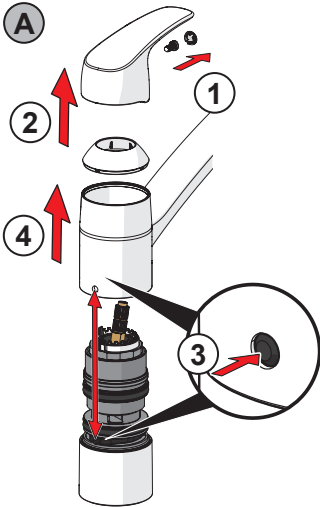
G2

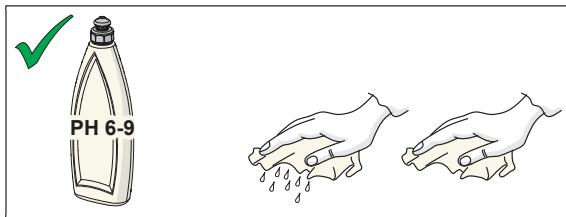
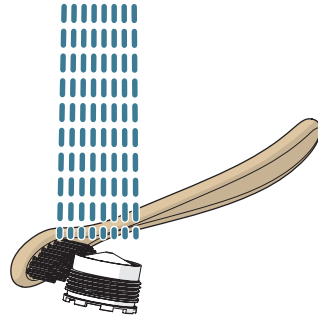
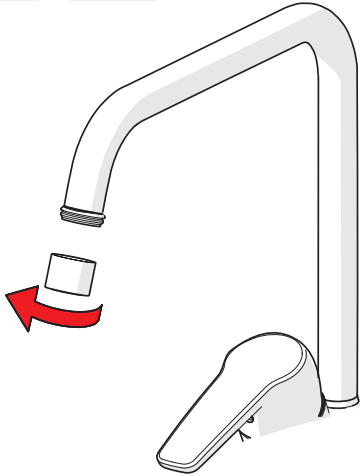


G6



B





[cleaning.oras.com](http://cleaning.oras.com)











#### About Oras Group

Oras Group is a significant European provider of sanitary fittings: the market leader in the Nordics and a leading company in Continental Europe.

The company's mission is to create the smartest water experiences for everyone and its vision is to become the Perfect Flow Company.

The Group has two strong brands, Oras and Hansa. Oras Group is owned by Oras Invest, a family company, and an industrial owner.

The domicile of Oras Ltd, the parent company of the Group, is located in Rauma, Finland, and the Group has three manufacturing sites: Kralovice (Czech Republic), Olesno (Poland) and Rauma (Finland).

The Group operates with its own staff in 17 markets. Oras Group's net sales were 233.5 million euros in 2021 and at the end of the period the company employed 1255 people.

ORAS Ltd  
Isometsäntie 2, P.O. Box 40  
FI-26101 Rauma  
Tel. +358 2 83 161  
Fax +358 2 831 6300  
info.finland@oras.com  
www.oras.com



943367-09-24