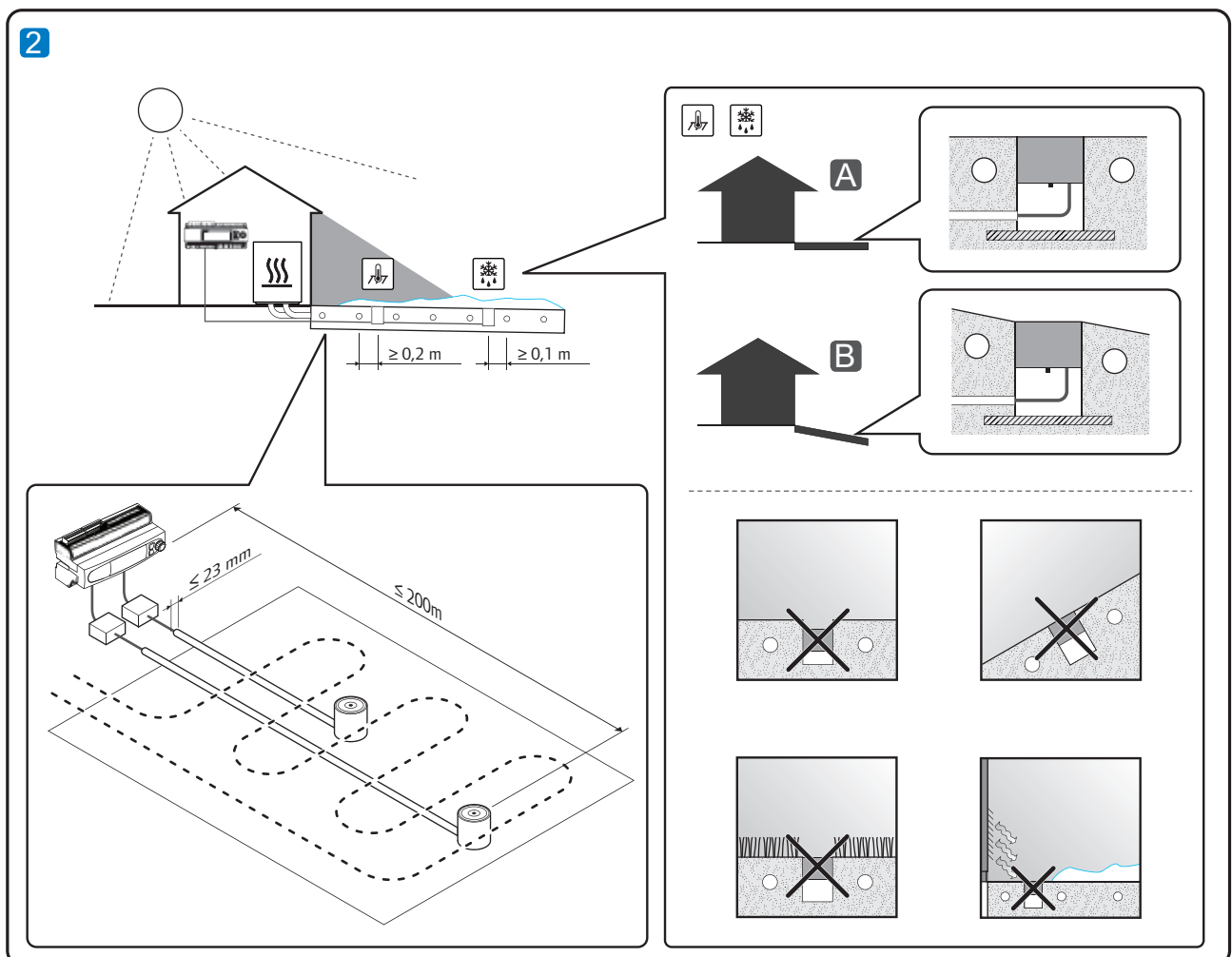
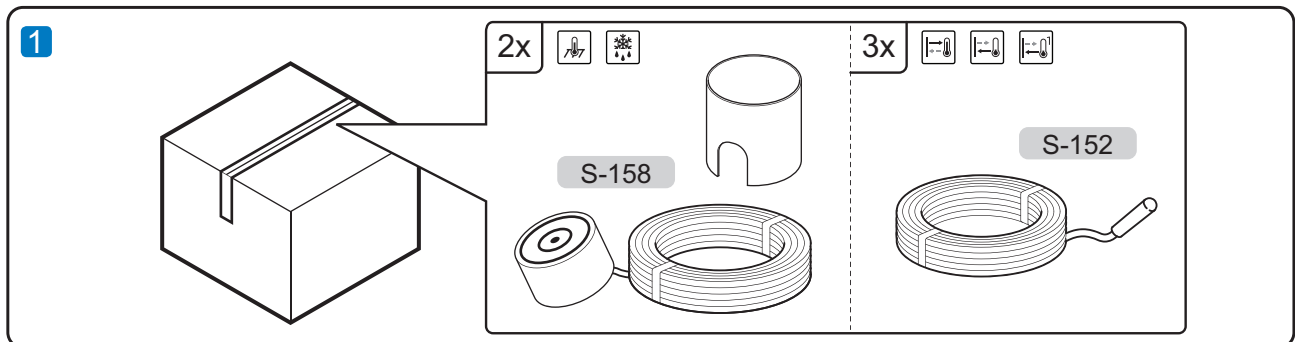
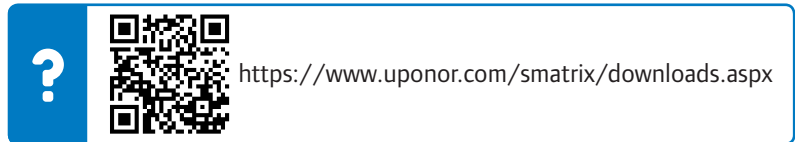
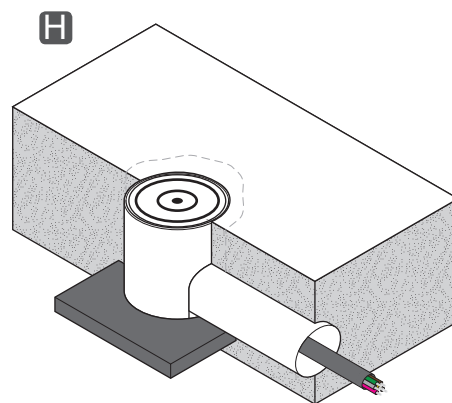
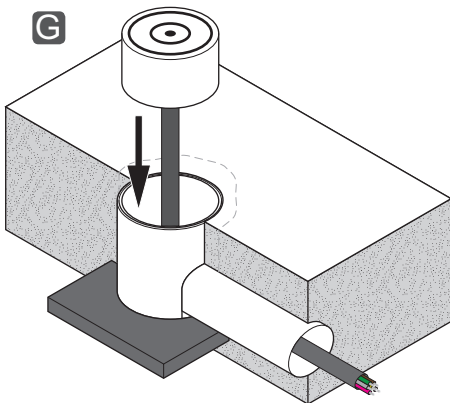
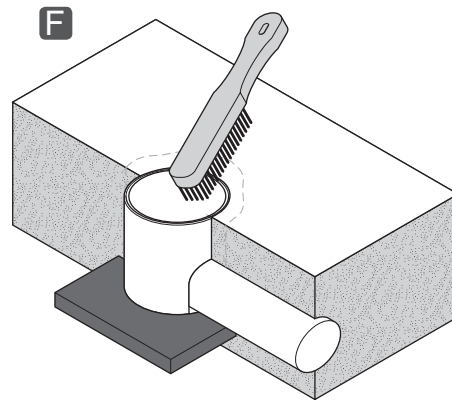
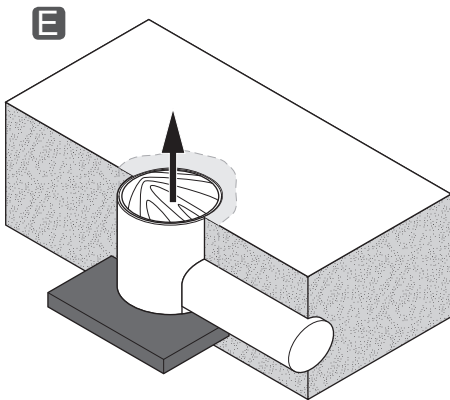
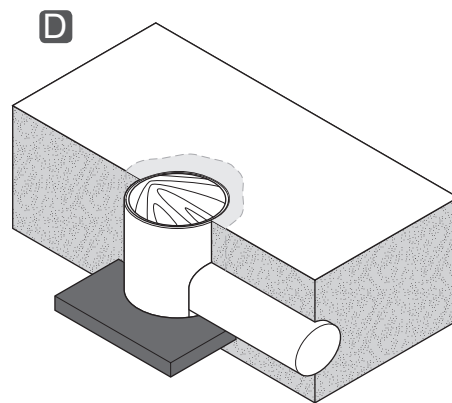
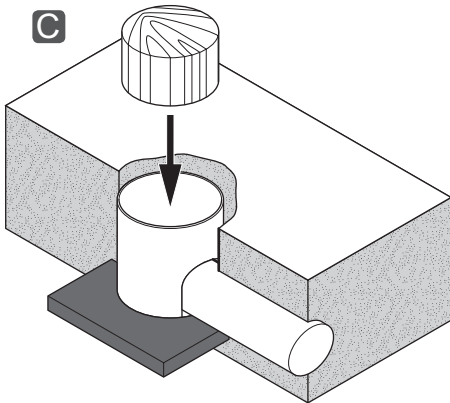
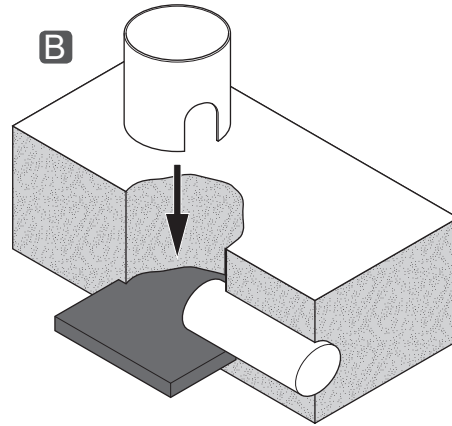
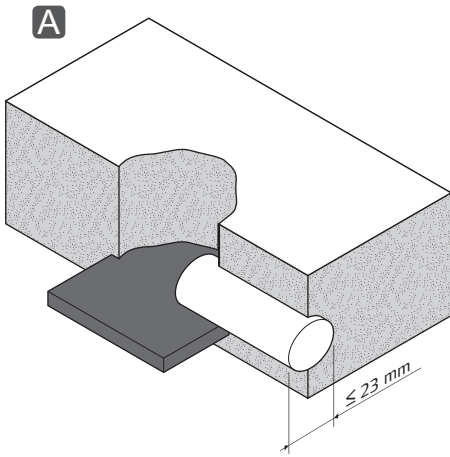


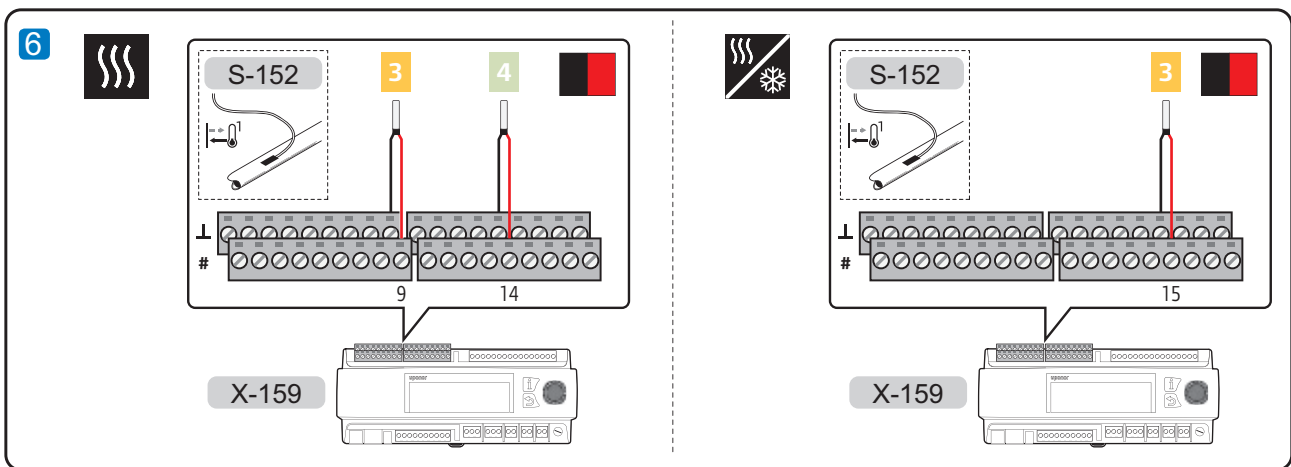
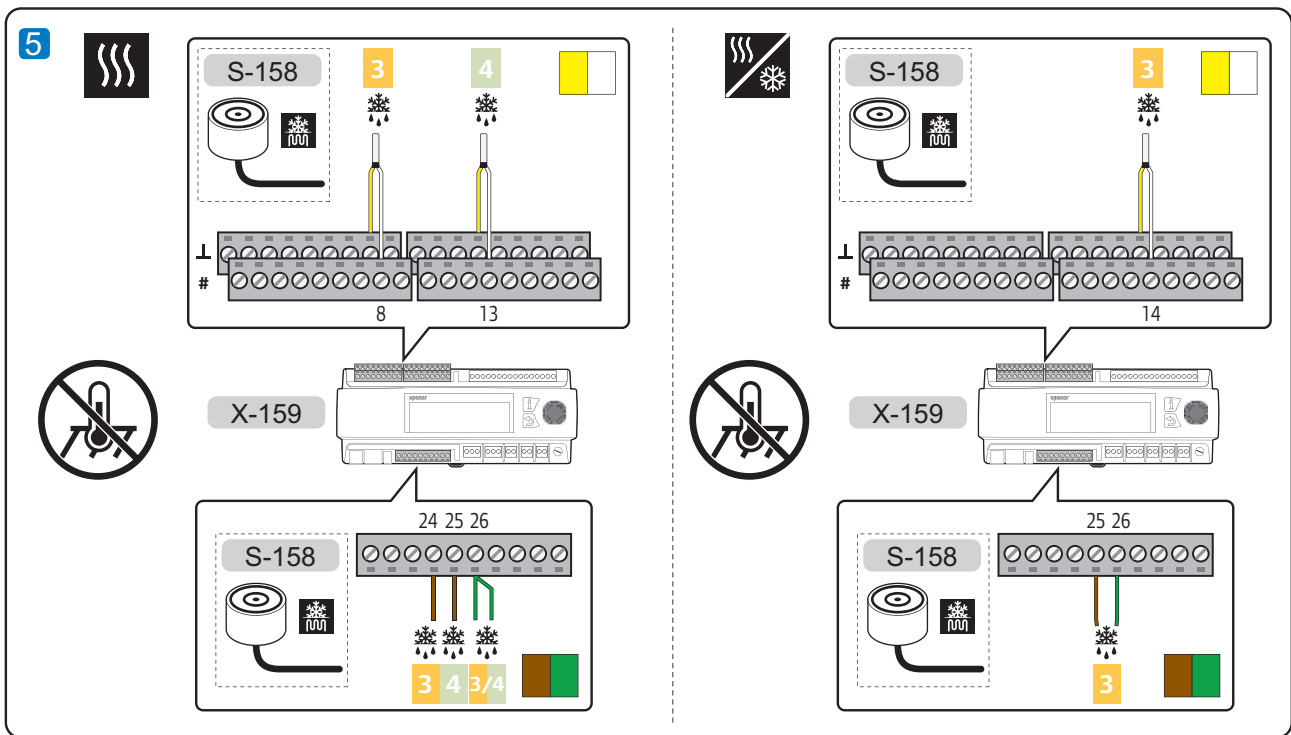
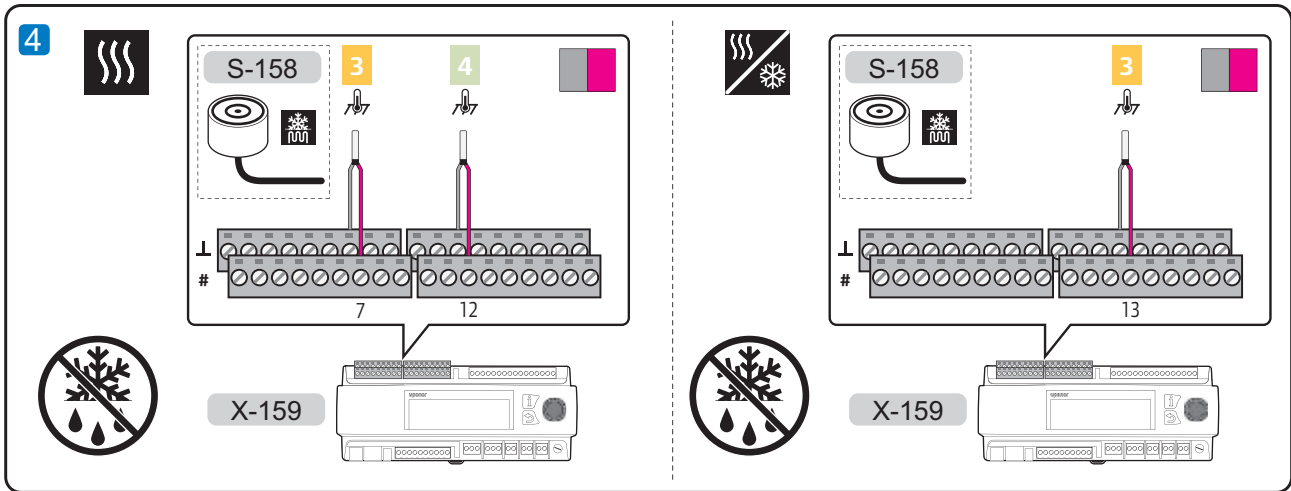
Uponor Smatrix Move PRO Snowmelt Set S-152 + S-158

QUICK GUIDE

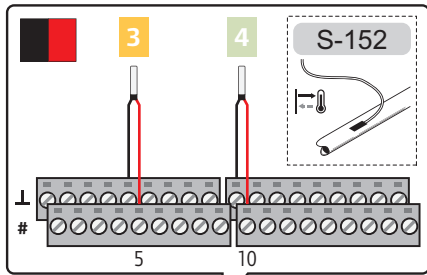


3

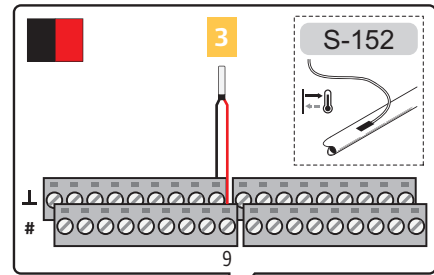




7

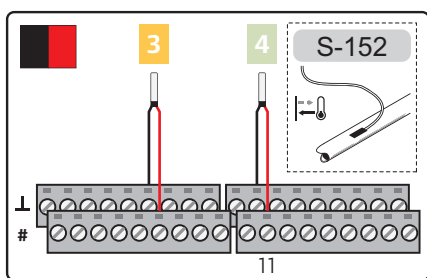


X-159

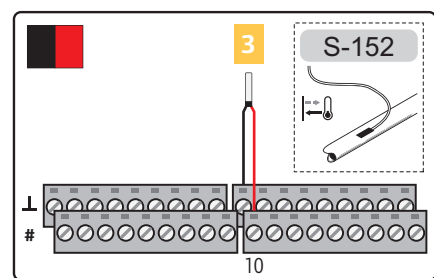


X-159

8

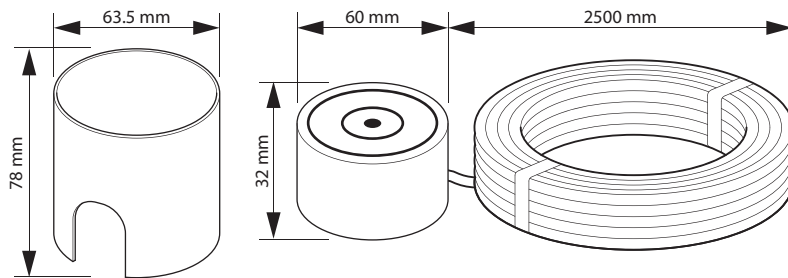


X-159



X-159

9



NTC 10
-50 °C...+100 °C, ±0.1 °C

NTC 10
-50 °C...+100 °C, ±0.1 °C
NEMA 6P / IP 68

-50...70 °C

6 x 0.15 mm² (≤25 m)

NTC 10
-50 °C...+100 °C, ±0.1 °C

220 Ω +/- 10%
0,1 A @24V

$R_{OFF} = \infty \Omega$
 $R_{ON} < 2M\Omega$