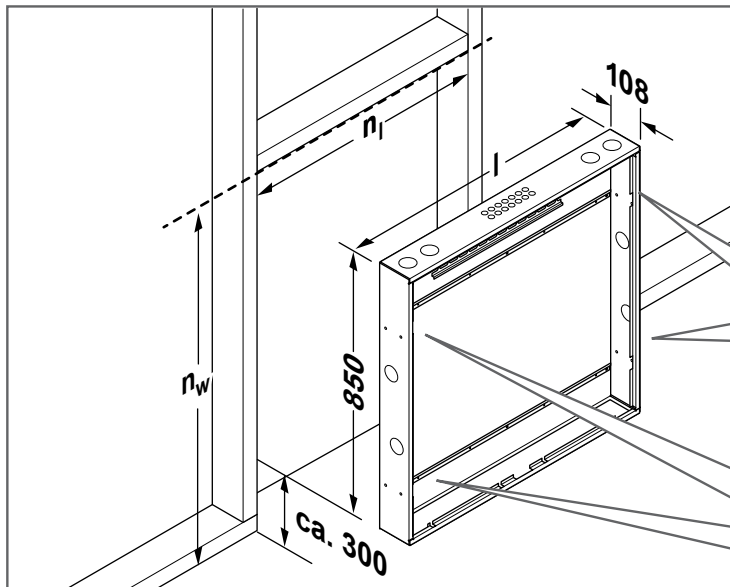
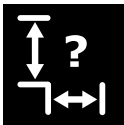
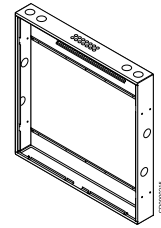
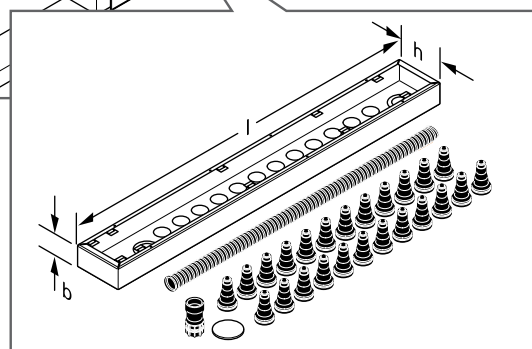
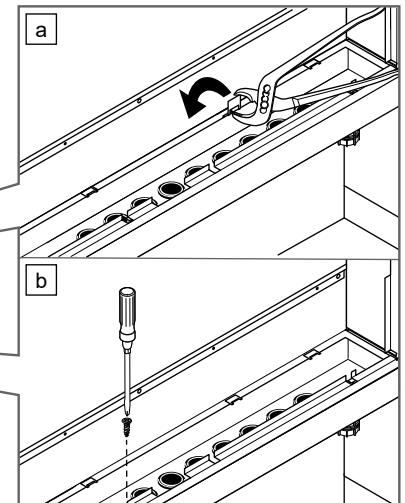
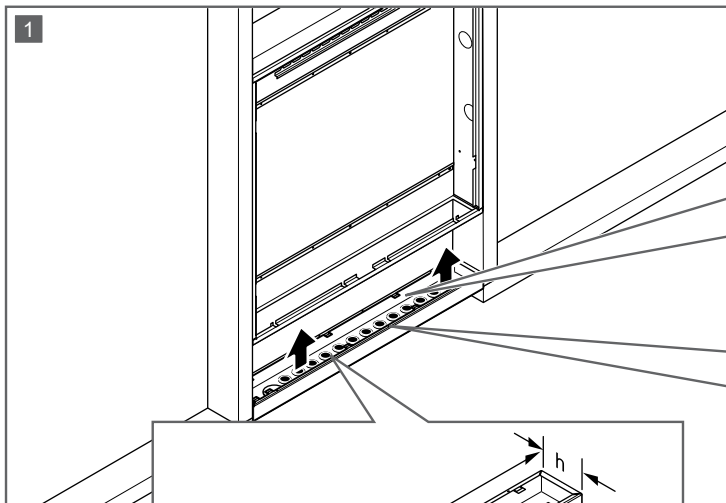
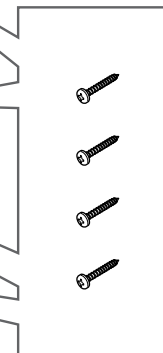


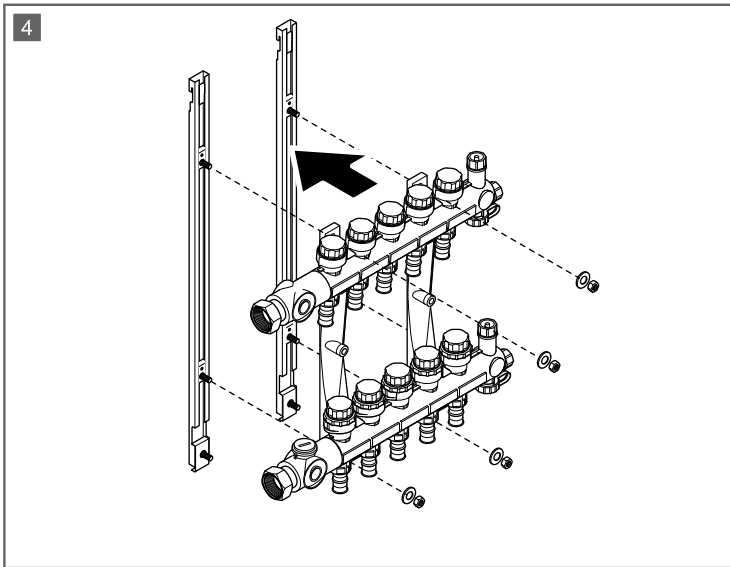
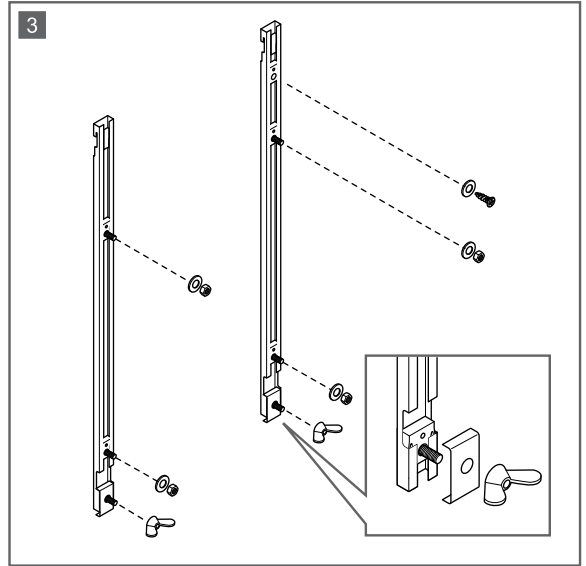
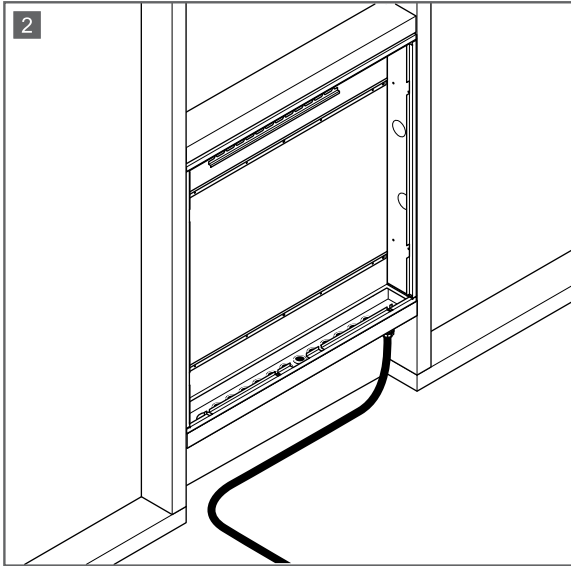
## Uponor Vario cabinet



	l	n <sub>l</sub>	n <sub>w</sub>
550 x 850	550	552	ca. 1150
850 x 850	850	852	ca. 1150
1200 x 850	1200	1202	ca. 1150

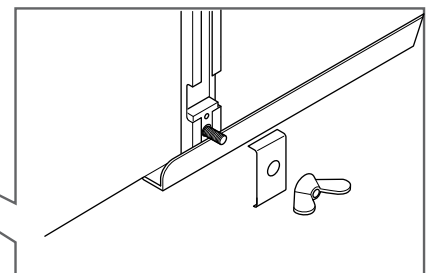
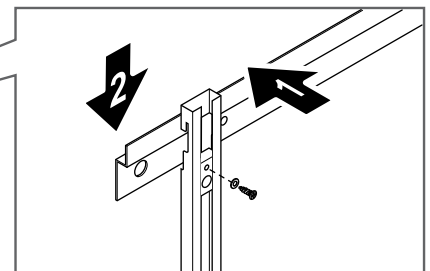
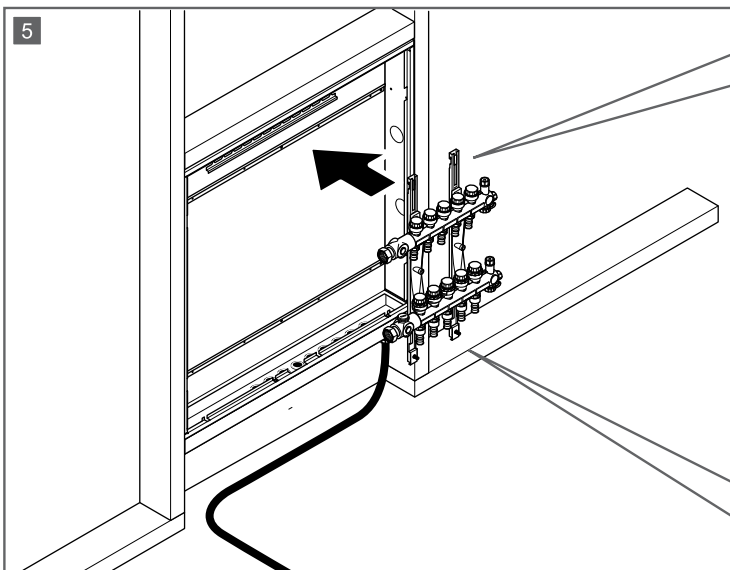


	l	b	h
550	550	50	108
850	850	50	108
PG 850	850	50	108
1200	1200	50	108

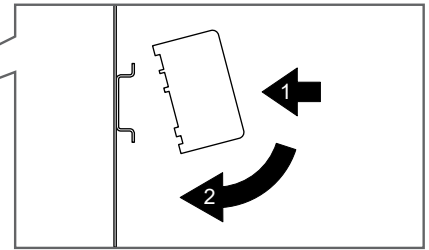
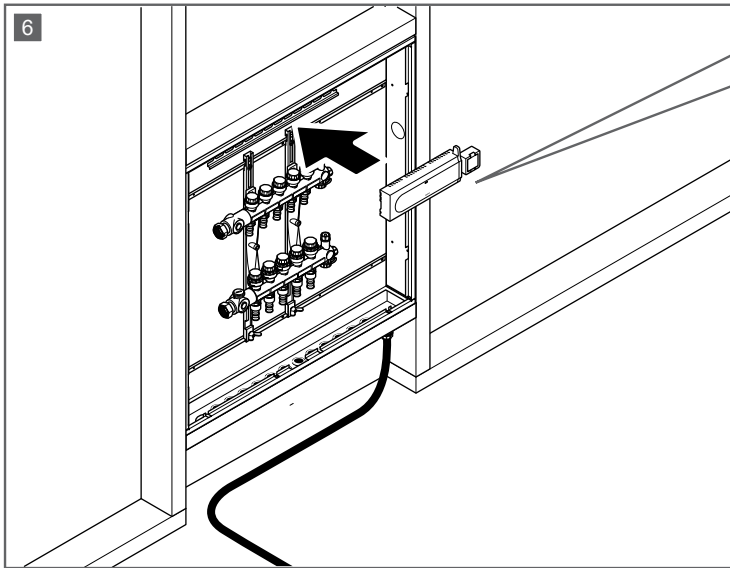


Uponor Vario PLUS  
 Uponor Vario B  
 Uponor Vario S

[www.uponor.com/services/download-centre](http://www.uponor.com/services/download-centre)

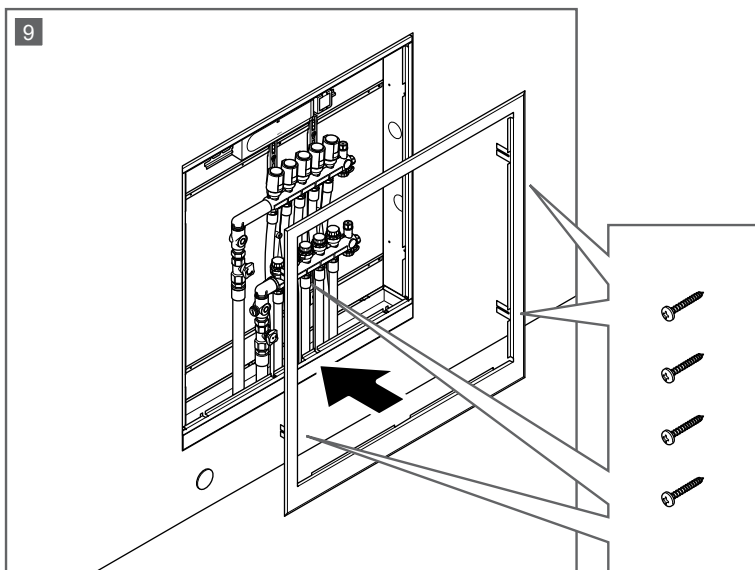
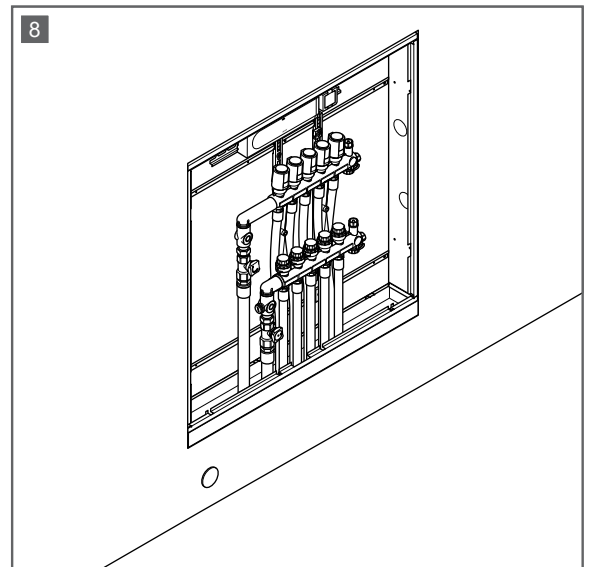
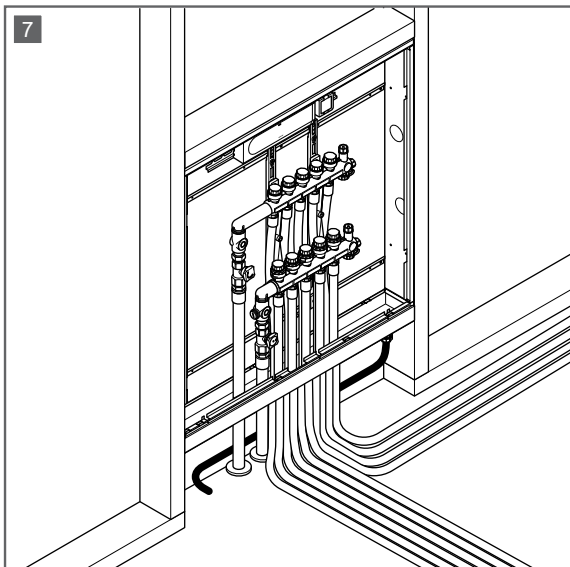


SH000234



Uponor Smatrix Wave  
Uponor Smatrix Base  
Uponor Base Flexiboard

[www.uponor.com/services/download-centre](http://www.uponor.com/services/download-centre)



S0000235

**Uponor GmbH**

Industriestraße 56,  
D-97437 Hassfurt, Germany

1094888 09-2019\_INT  
Production: Uponor/ELO

Uponor reserves the right to make changes, without prior notification,  
to the specification of incorporated components in line with its policy of  
continuous improvement and development.



[www.uponor.com](http://www.uponor.com)