



ESBE AB  
Bruksgatan 22  
SE-333 75 Reftele  
www.esbe.eu



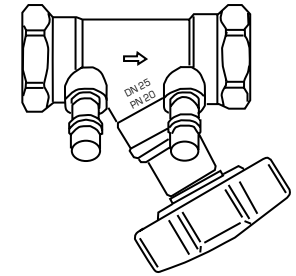
ESBE Complementary products  
**Series GOP830**



Series GOP831  
Series GOP832

Series GOP833

PED 2014/68/EU, article 4.3

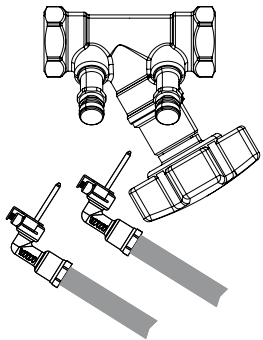


Series	DN
GOP831	20
GOP832	25
GOP833	32

Mtrl.nr: 98141193 Ritn.nr: 11113 vers. A • Rev. 2025-12-08

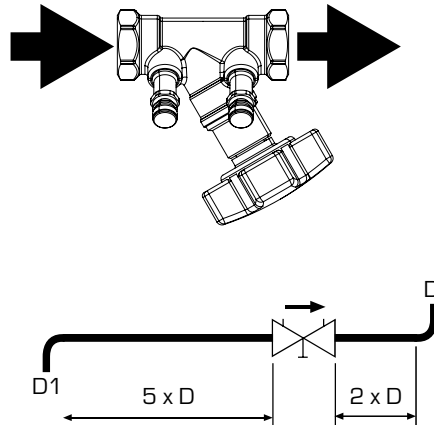
**1**

**Flow measuring**



**2**

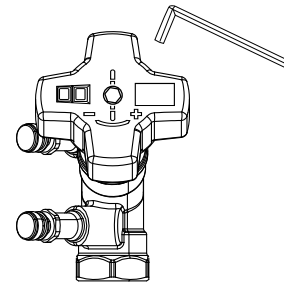
**Assembling**



**3**

**Correction for other fluids:**

$$Q = \frac{Q}{\sqrt{\gamma}}$$



**Capacity**

	No. of turns									
	1	2	3	4	5	6	7	8	9	10
DN20	0,34	0,60	0,83	1,13	1,55	2,10	2,90	3,85	4,50	5,10
DN25	0,48	0,77	1,03	1,50	2,30	3,60	5,00	6,50	7,90	8,80
DN32	0,79	1,32	1,80	2,70	4,10	5,90	7,80	9,70	11,50	13,10

**Accuracy**

Deviation  $\pm$  %

