

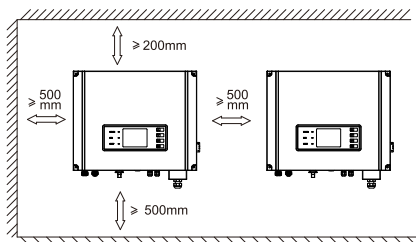
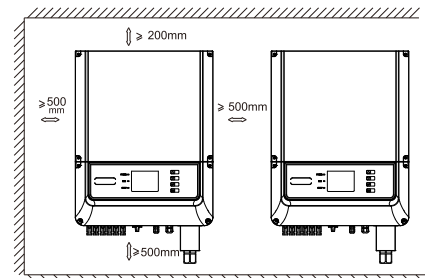
Instructions for Fast Installation

Three-phase Series



Warning: All fasteners must be locked tight. Otherwise water may flow in, resulting in machine failure. In such case warranty shall not be provided.

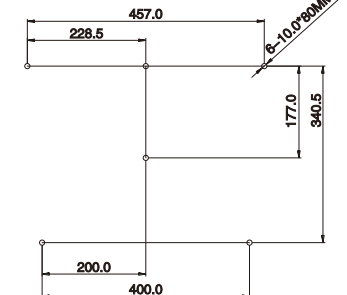
A



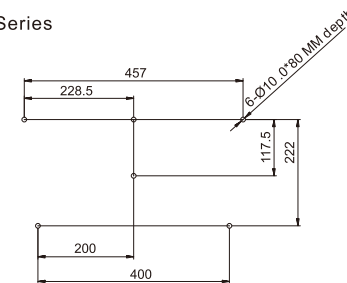
Installation space

B

DT Series

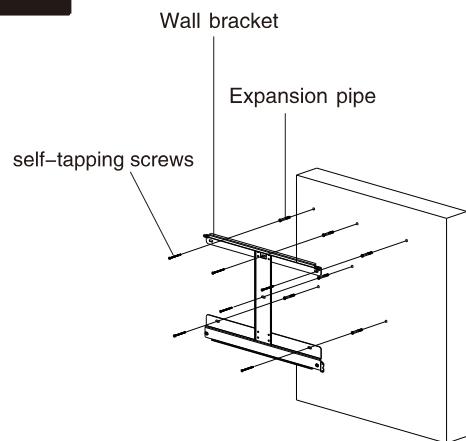


Smart DT Series



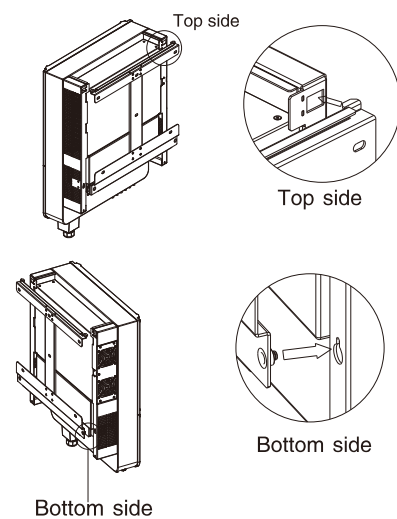
Dimensions for Drilling holes

C



Fix the wall bracket

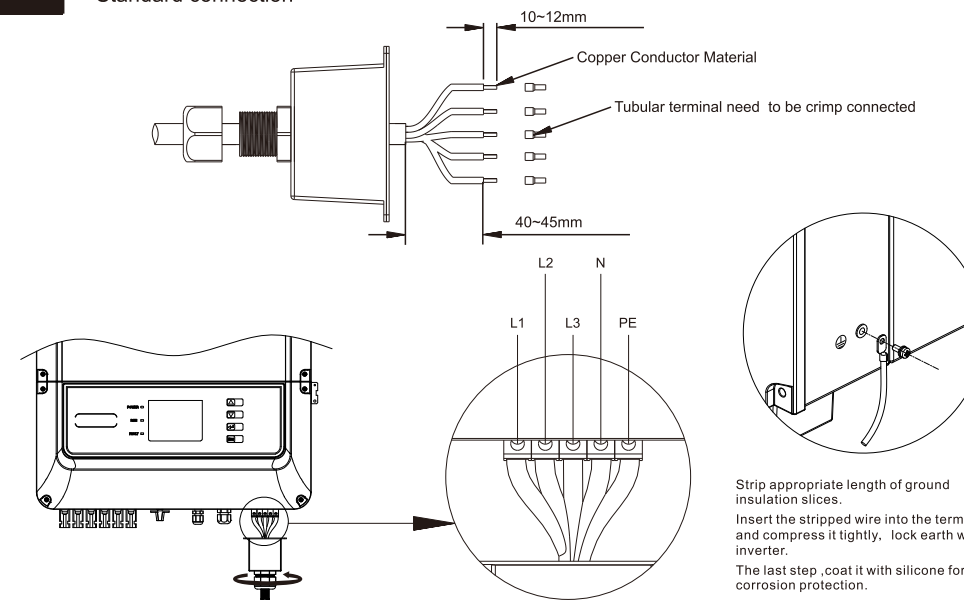
D



Mounting place and installation

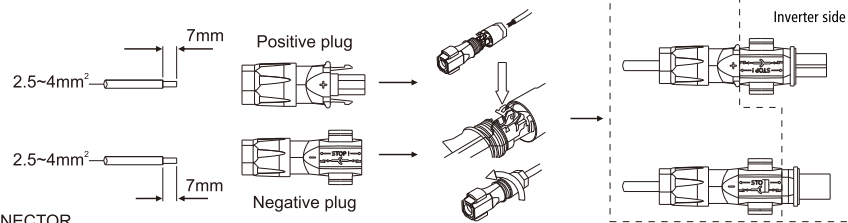
E

Standard connection

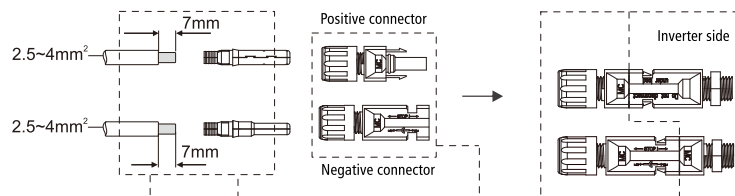


AC wire assembly and connection

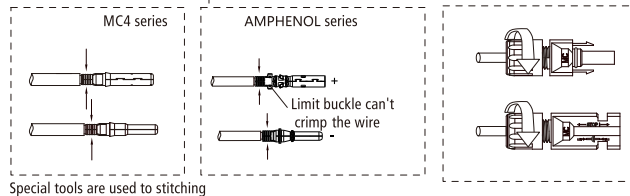
F



SUNCLIX CONNECTOR



AMPHENOL/MC4 CONNECTOR

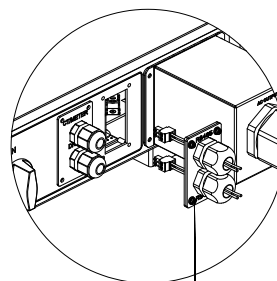


DC wire assembly and connection

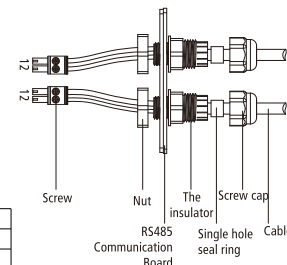
*DC Cable should use dedicated PV cable(Suggest using 4 mm² PV1-F wire).

G

DT Series



M3X8 screw
Fastening torque up to 0.6N·m



M3X8 screw
Fastening torque up to 0.6N·m

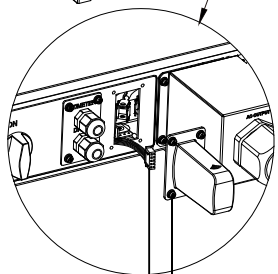
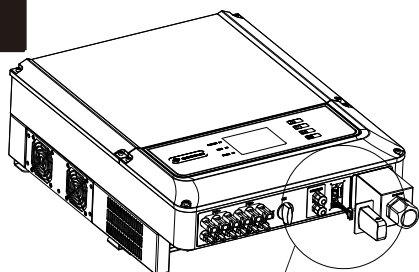
Line	Function
1	RS485 +
2	RS485 -

Line	Function
1	RS485 +
2	RS485 -
3	RESERVED
4	RESERVED
5	RS485 +
6	RS485 -

RS485 Communication assembly

H

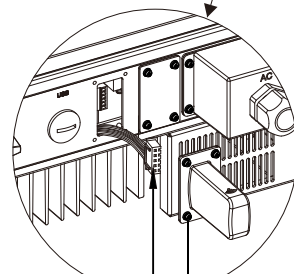
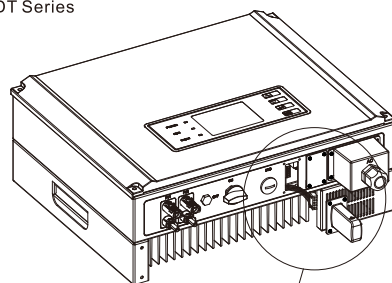
DT Series



M3X8 screw
Fastening torque up to 0.6N·m

Connect the cable terminal with the external WiFi module.

SDT Series



M3X8 screw
Fastening torque up to 0.6N·m

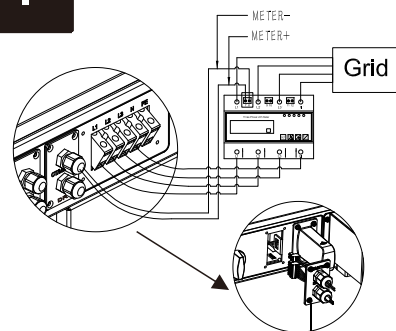
Connect the cable terminal with the external WiFi module.

Assembly the module on the machine

*WiFi module should be assembled.

I

Wiring diagram of METER, inverter and Grid



M3X8 screw
Fastening torque up to 0.6N·m

Pin NO	Function	Connection
1	RS485 +	Meter
2	RS485 -	
3	DRM1/5	DRED Device
4	DRM2/6	
5	DRM3/7	
6	DRM4/8	
7	REFGEN	COM/DRM0
8	COM/DRM0	

DRED connection is only available for Australia and New Zealand

Power Limiting Device(DRED)assembly

J

Configure Country Setting

Step1: Turn on DC Power of Inverter

Step2: If LCD Shows 'Configure Safety' as Below. Otherwise, SKIP All Steps.

Configure Safety

Step3: Long Press 'Enter' Key until LCD Shows as Below:

Set Safety 50Hz Grid Default

Step4: Press 'UP' or 'DOWN' Key to Switch Different Country Setting. Such as

Set Safety German

If there isn't PROPER country setting, then select '50Hz Grid Default' for 50Hz grid or '60Hz Grid Default' for 60Hz grid.

Step5: Long Press 'ENTER' Key to Confirm the Country Setting.

L

Set Time

Inverter time setting please refer to the diagram below.

