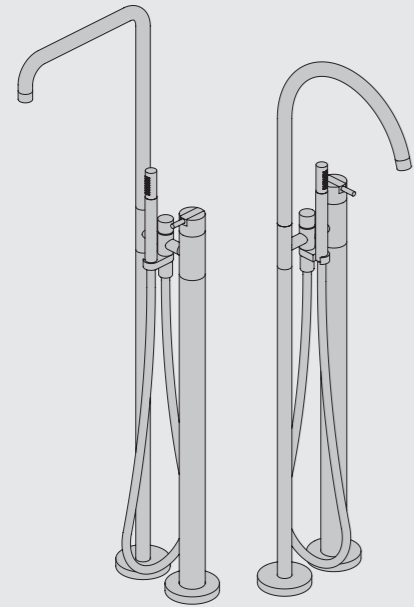


VOLA FS1 & FS5

Fitting instruction
Montageanleitung
Monteringsvejledning

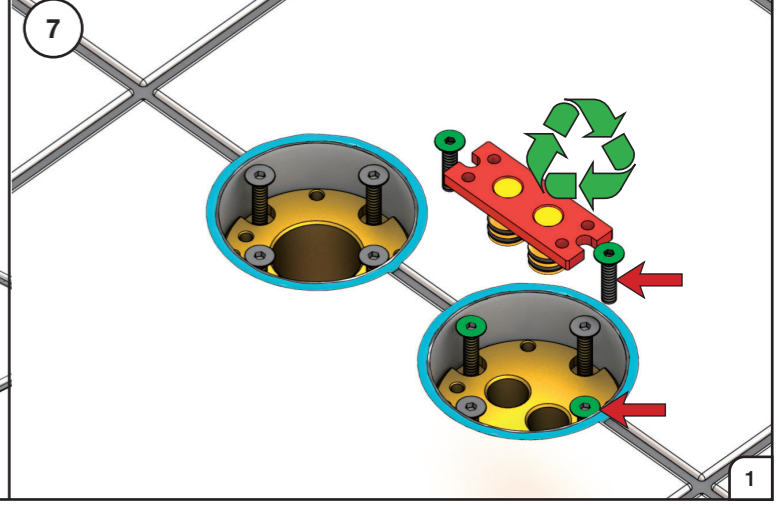
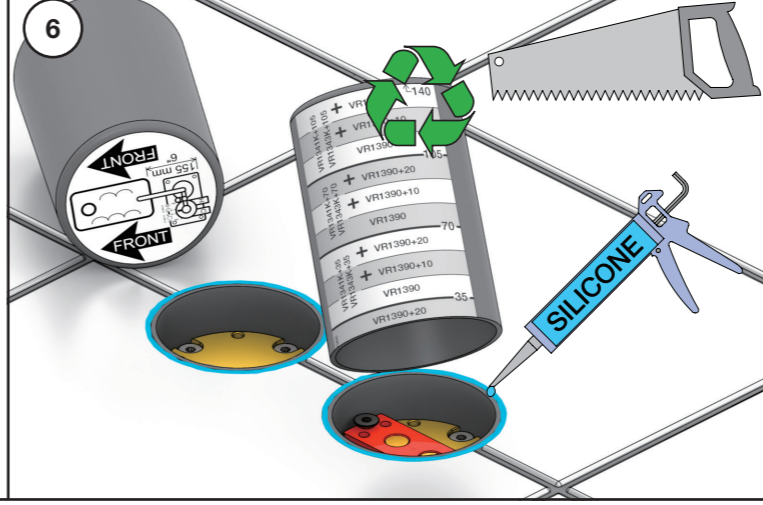
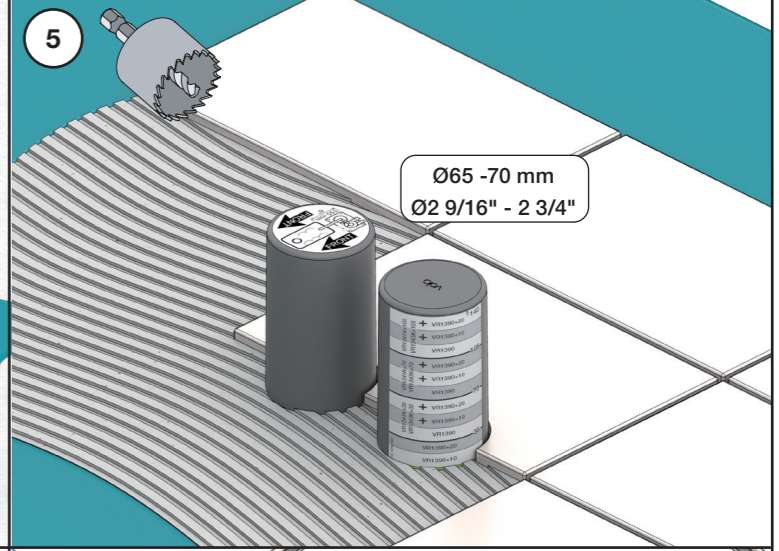
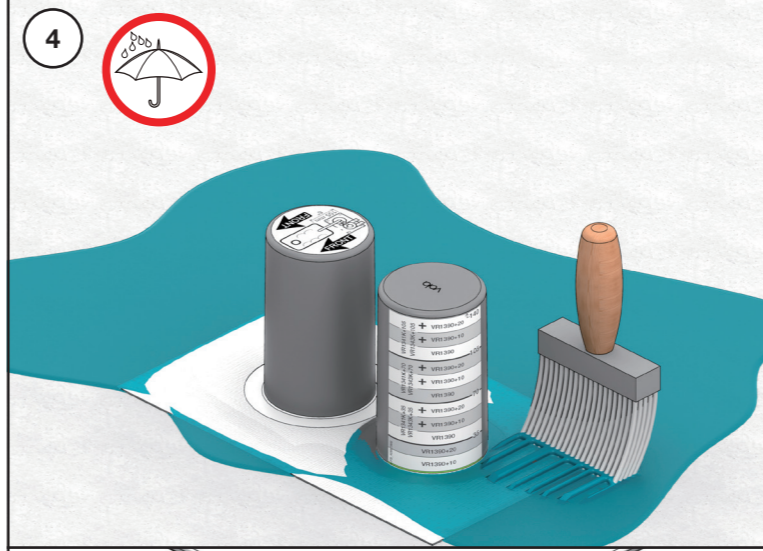
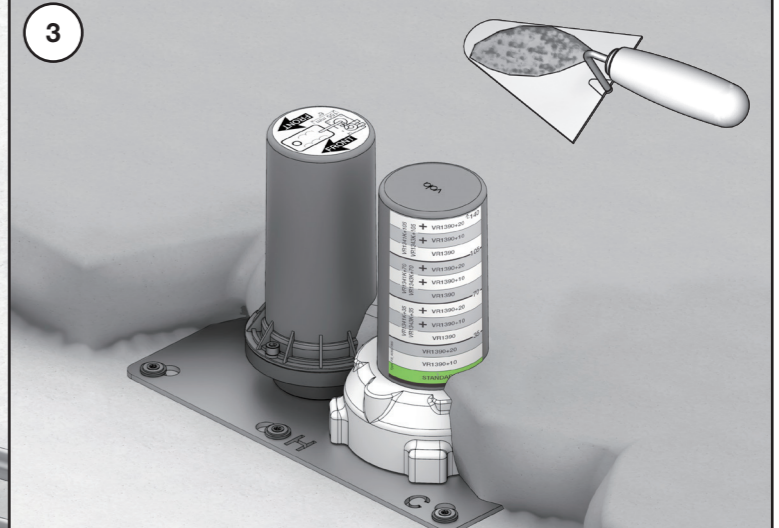
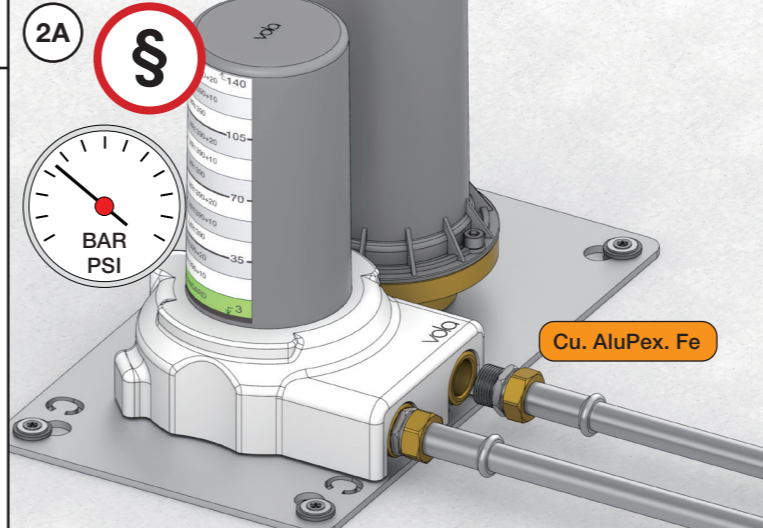
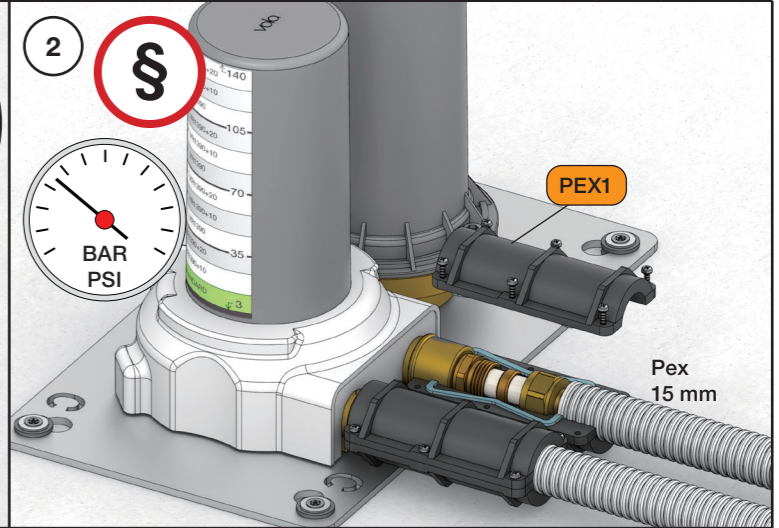
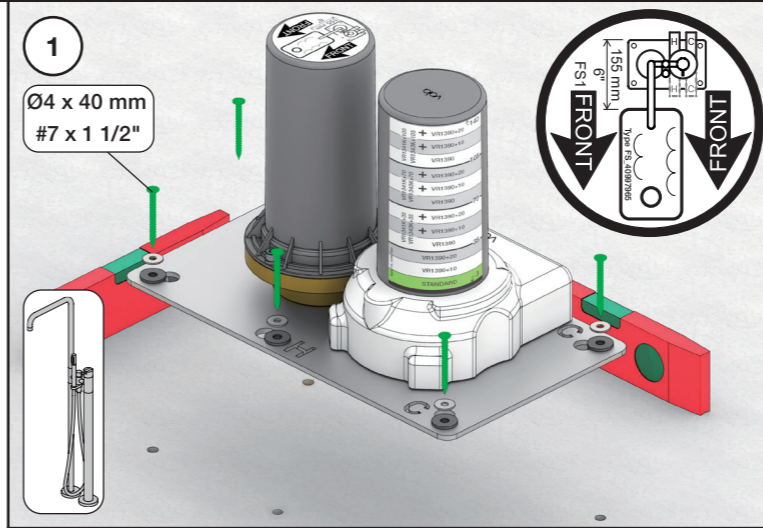
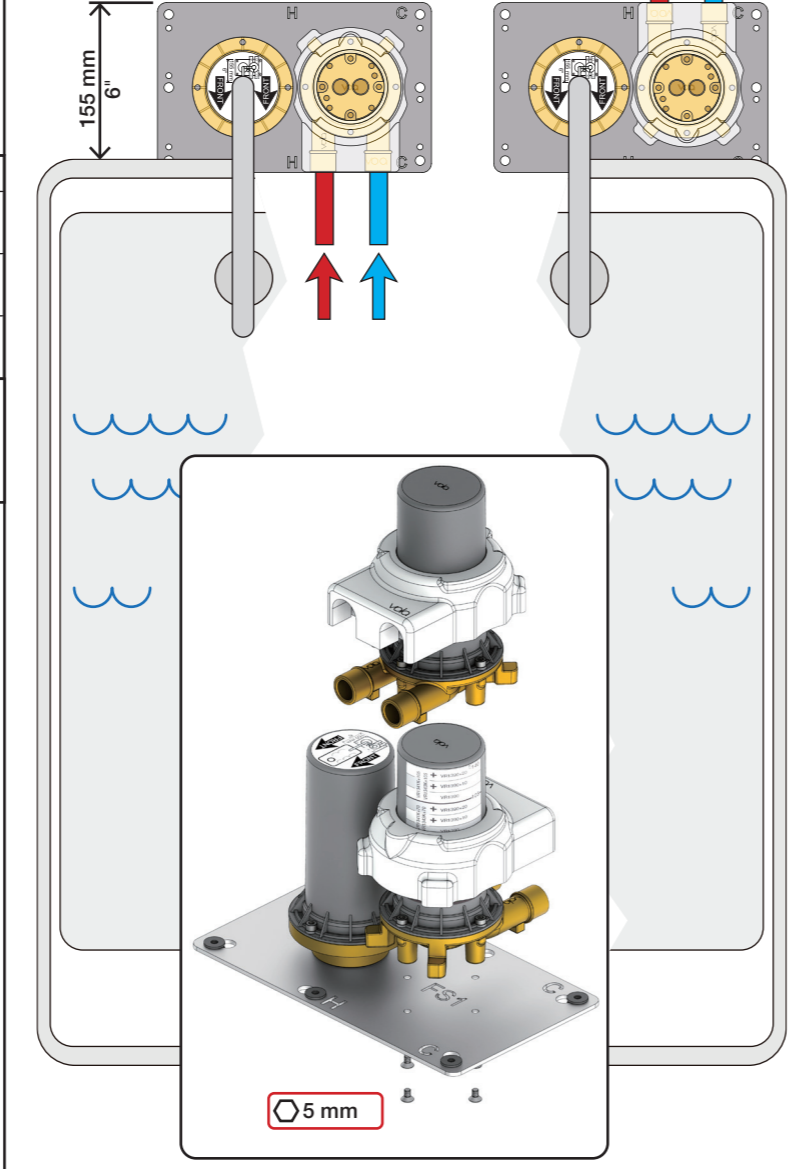
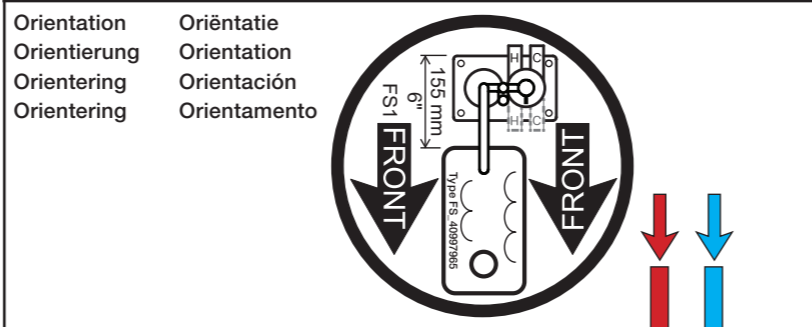
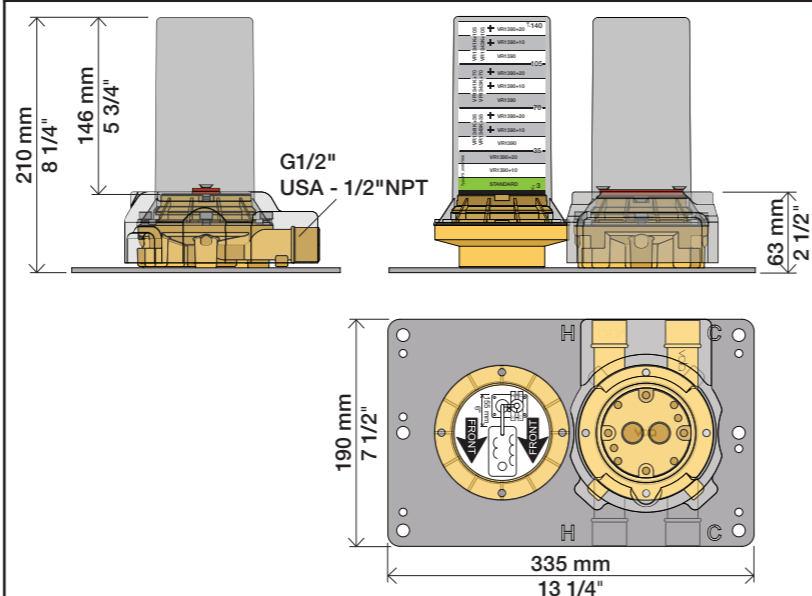
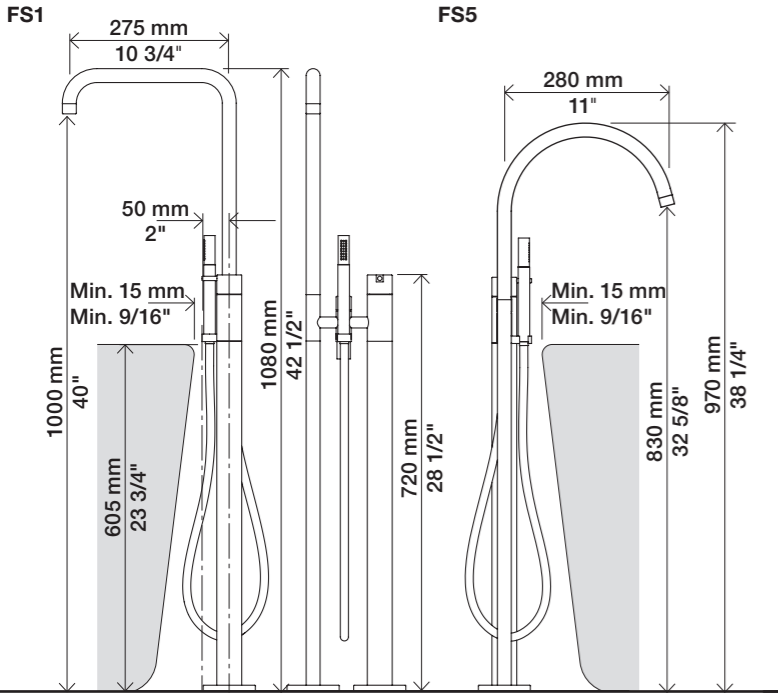
Monteringsvægledning
Montage hanledning
Manuel de montage



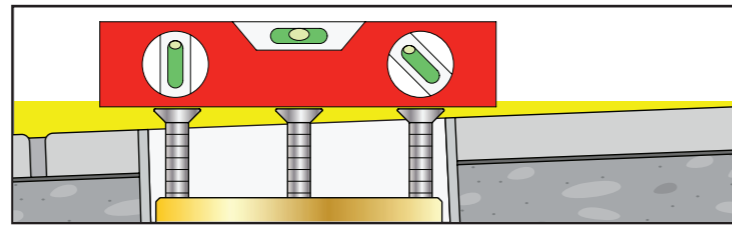
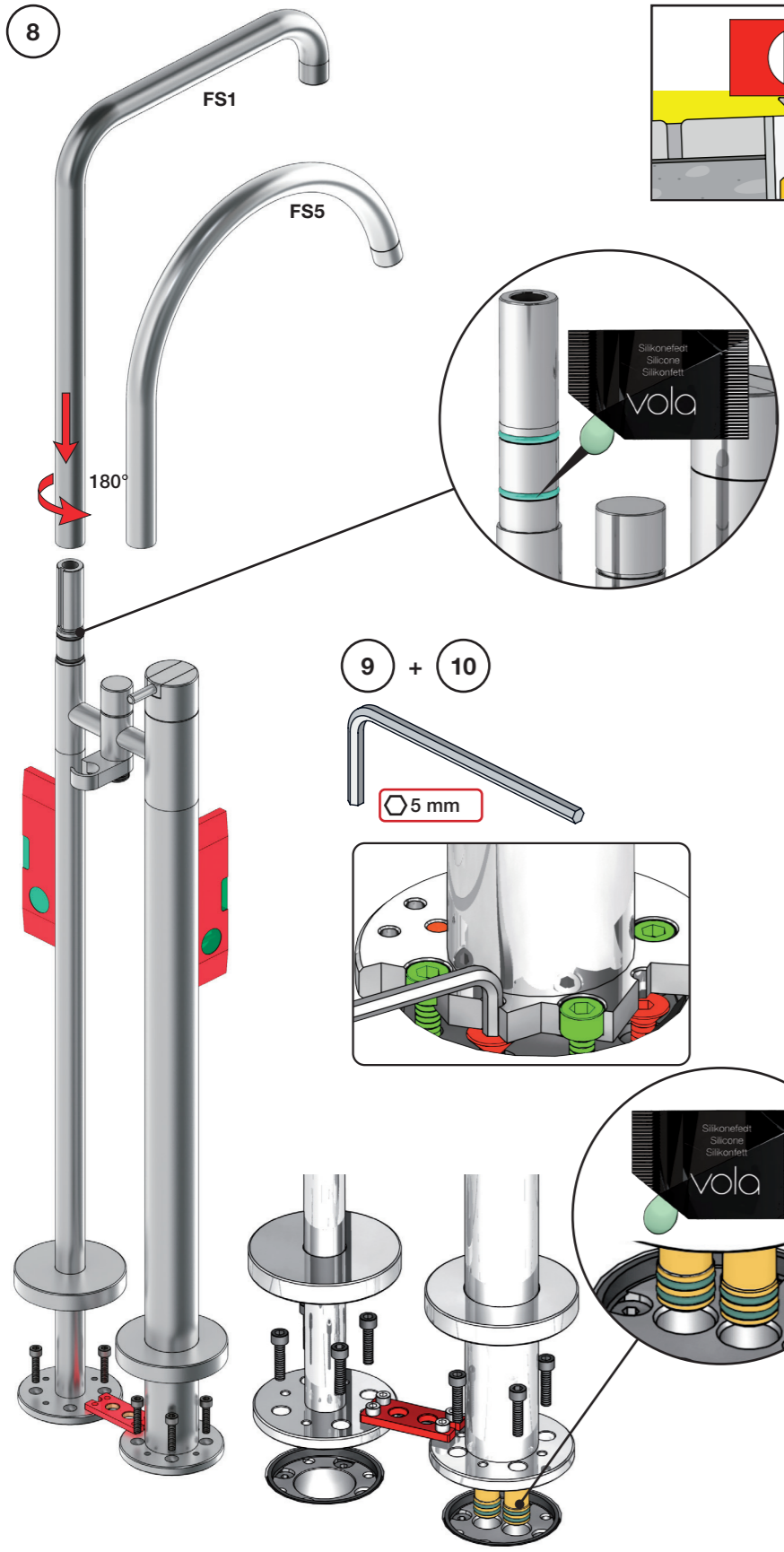
www.vola.com
mnt_FS1_V0_40997902
27-02-2026

Max. 10 Bar/145 Psi	Bar:	1	2	3	4	5	
Max. 65°C, 150°F	FS1/5 VR624D-STD	(l/min) (Gal/min)	10.2 2.7	15.0 4.0	18.6 4.9	18.6 5.7	24.0 6.3
	FS1/5 VR624E-ALT	(l/min) (Gal/min)	12.6 3.3	18.0 4.8	22.2 5.9	25.2 6.7	28.8 7.6
T2	(l/min) (Gal/min)	9.0 2.4	9.0 2.4	9.0 2.4	9.0 2.4	9.0 2.4	

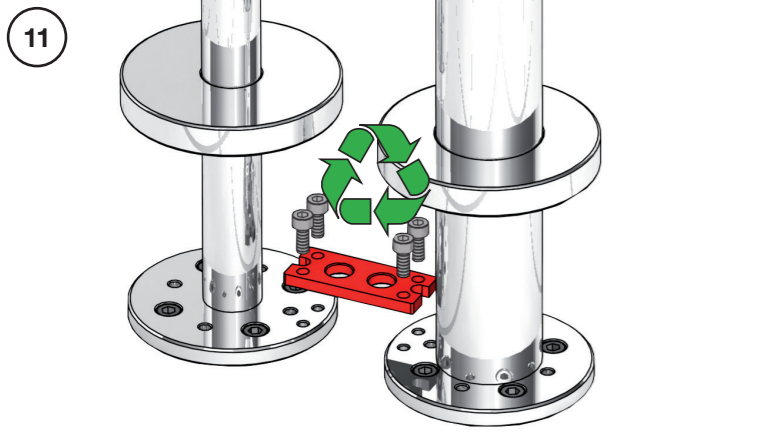
Temperature shall be regulated by one of the following means:
1. A limiting device conforming to either ASSE 1070/ASME A112.1070/CSA B125.70 or CSA B125.3.
2. A water heater conforming to ASSE 1084.



8



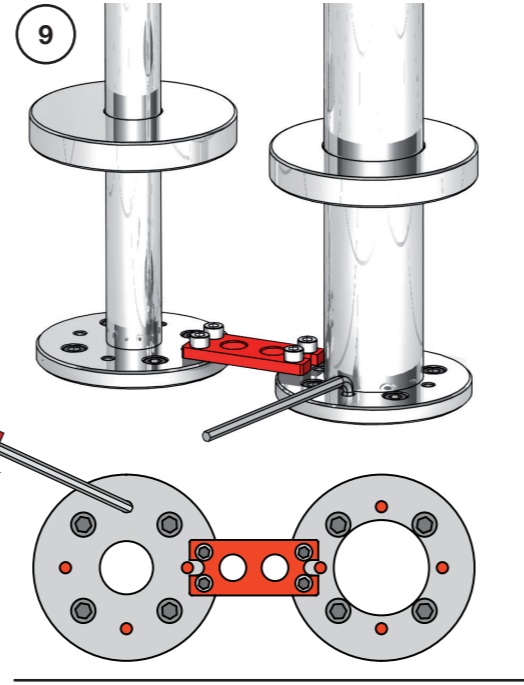
11



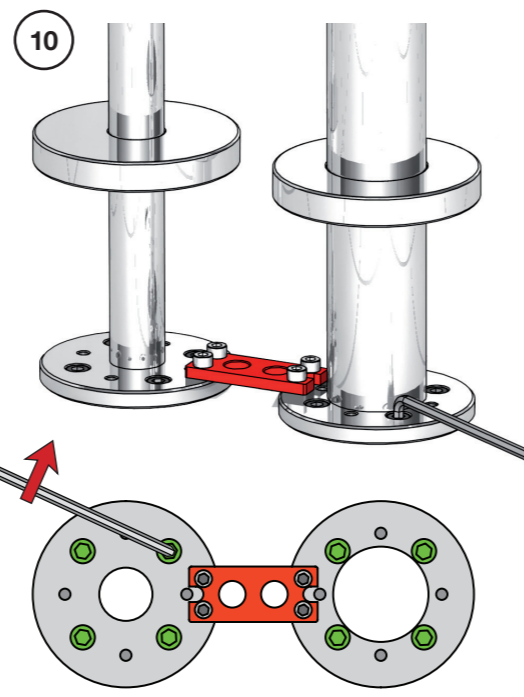
12



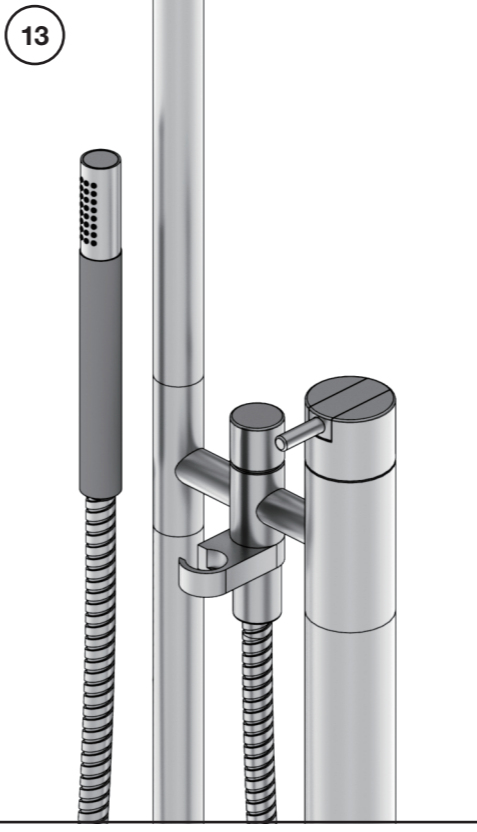
9



10



13



14



Extension Verlängerung Forlængelse Förlängning Verlingstücken Extension

MAX 140 mm

105 mm

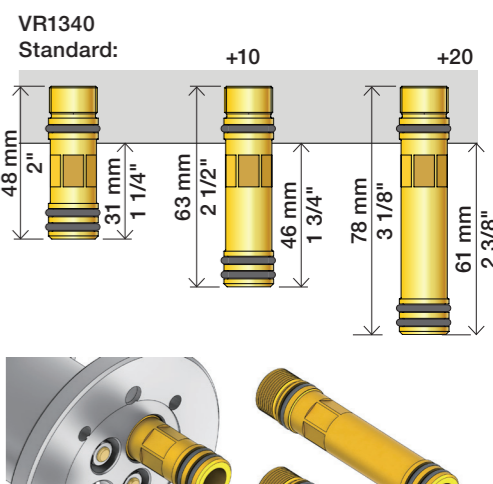
70 mm

35 mm

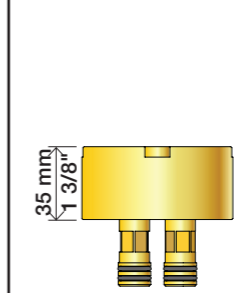
Min. 3 mm

VR1390+20	+140
VR1390+10	
VR1390	-105
VR1390+20	+105
VR1390+10	
VR1390	-70
VR1390+20	+70
VR1390+10	
VR1390	-35
VR1390+20	+35
VR1390+10	
VR1390	-3
STANDARD	

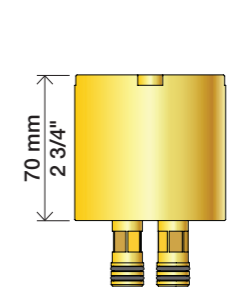
X mm	X"	VR1340+	VR1341K+
3 - 15	2/16" - 9/16"	Standard	
15 - 25	9/16" - 1"	+10	
25 - 35	1" - 1 3/8"	+20	
35 - 46	1 3/8" - 1 3/4"		+35
46 - 58	1 3/4" - 2 1/4"	+10	
58 - 70	2 1/4" - 2 3/4"	+20	
70 - 81	2 3/4" - 3 1/4"		+70
81 - 93	3 1/4" - 3 5/8"	+10	
93 - 105	3 5/8" - 4 1/8"	+20	
105 - 116	4 1/8" - 4 5/8"		+105
116 - 128	4 5/8" - 5"	+10	
128 - 140	5" - 5 1/2"	+20	



VR1341K+35



VR1341K+70



VR1341K+105

