

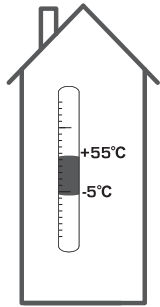
# ESBE SERIES CRB100



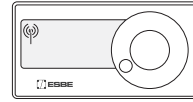
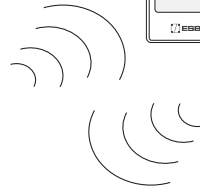
Series CRB110  
Series CRB120

CE

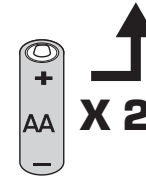
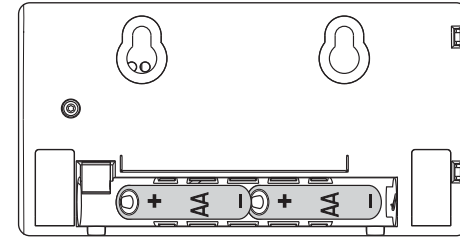
LVD 2006/95/EC  
EMC 2004/108/EC  
RoHS 2002/95/EEC  
EN 300220-2



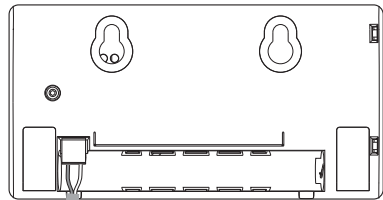
## 1A



Series CRB120   

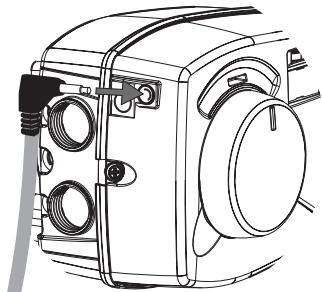
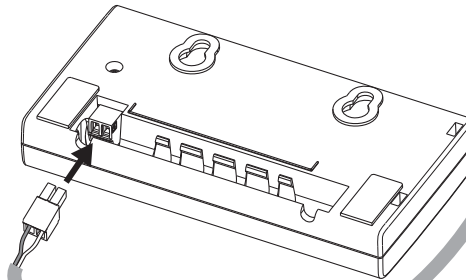
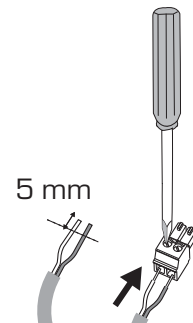


## 1B



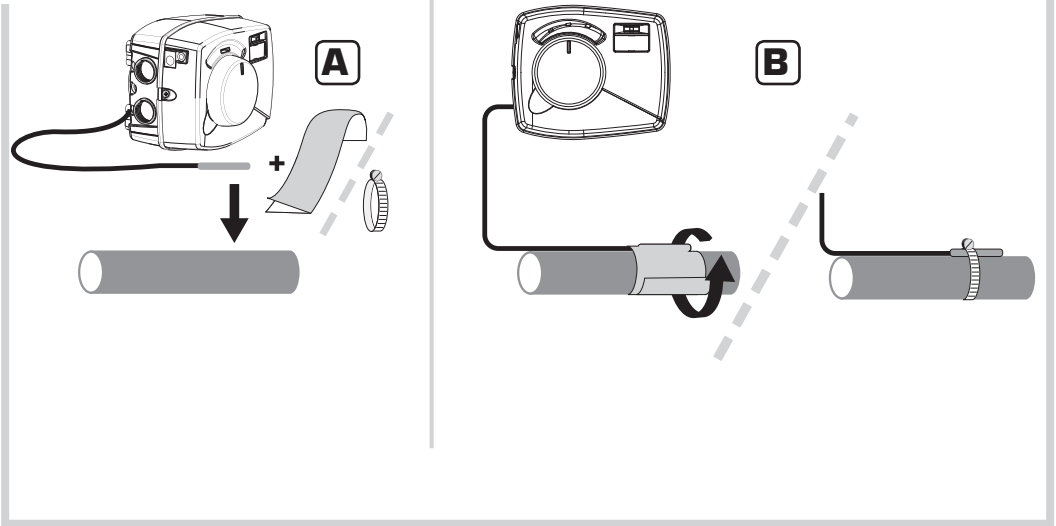
5 mm

180°

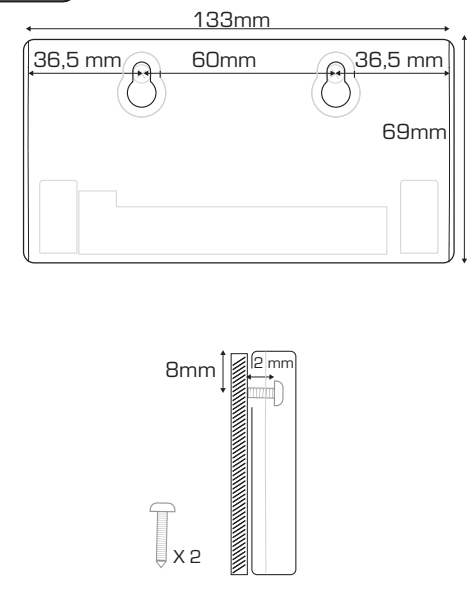


Series CRB110   

2



i



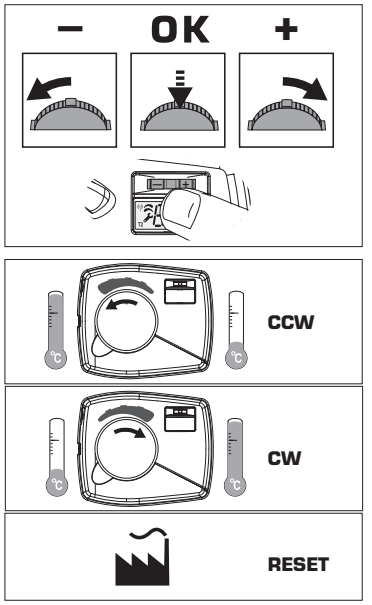
www.esbe.se

Mtrl.nr: 9814 03 91 • Fit.nr: 9211 utg. B • Rev. 1012

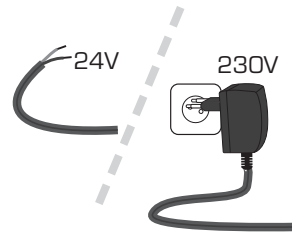
3



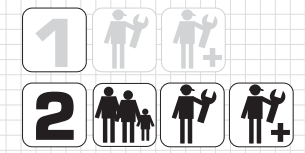
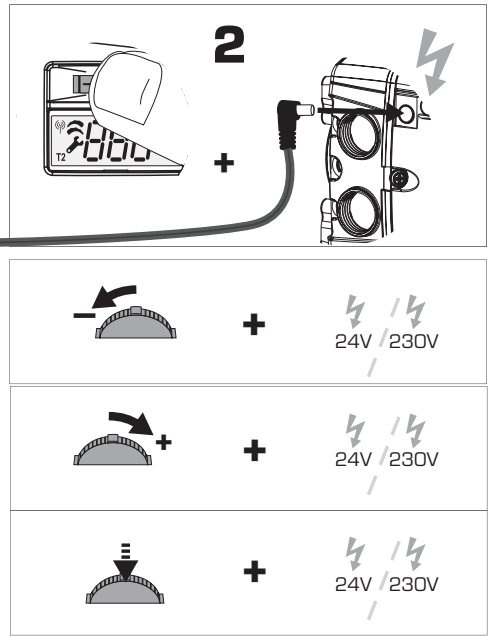
i



1



2



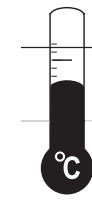
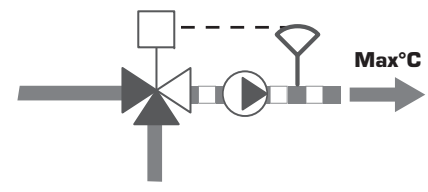
SERIES CRB100



NO.1 IN HYDRONIC SYSTEM CONTROL

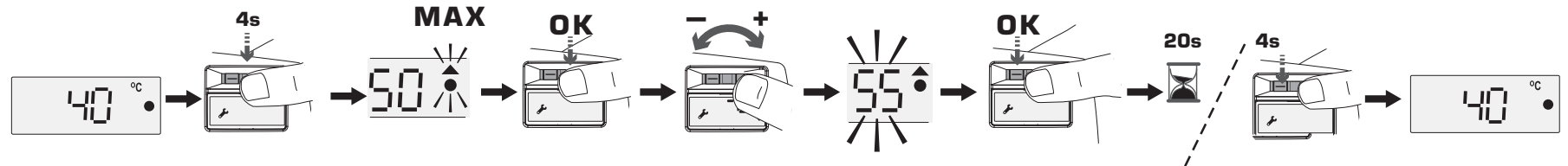


▲ = MAX

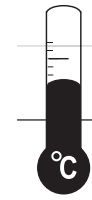
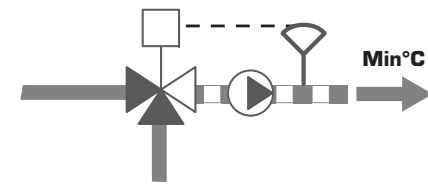


▲ Max°C  
● Min°C  
▼

	50 °C
	~40 - 50 °C
	~60 - 80 °C

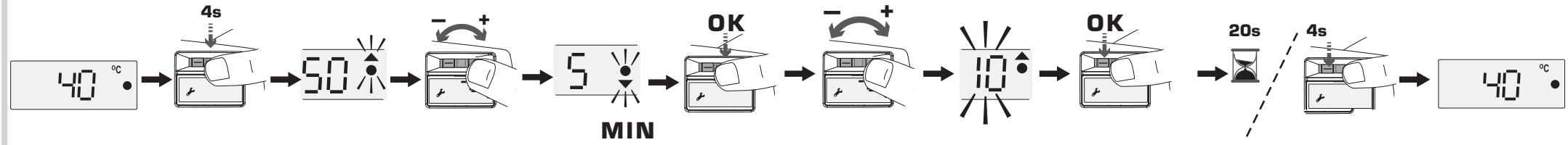


● = MIN



▲ Max°C  
● Min°C  
▼

	5 °C
	~5 - 25 °C
	~5 - 25 °C



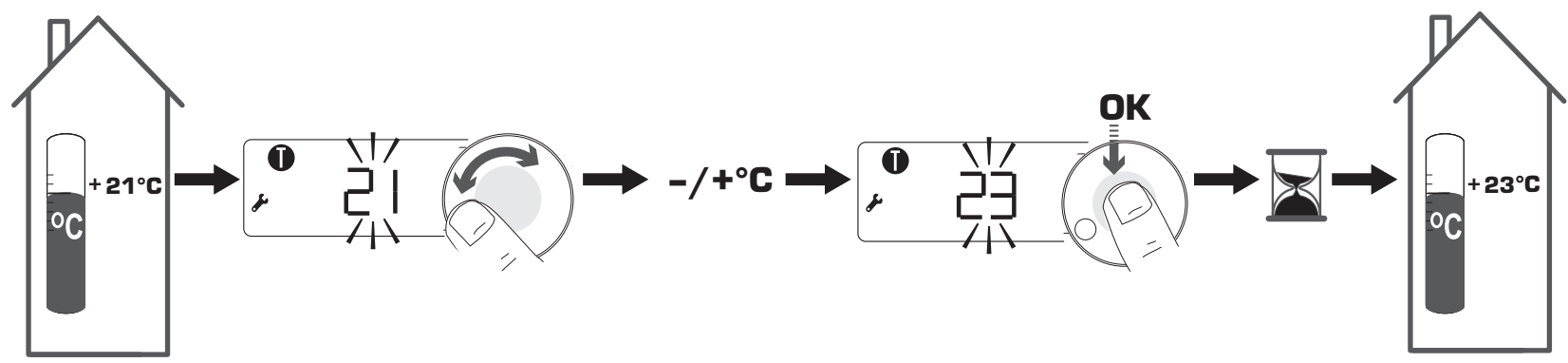
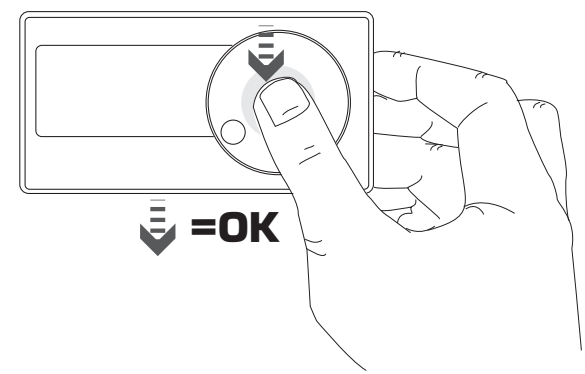
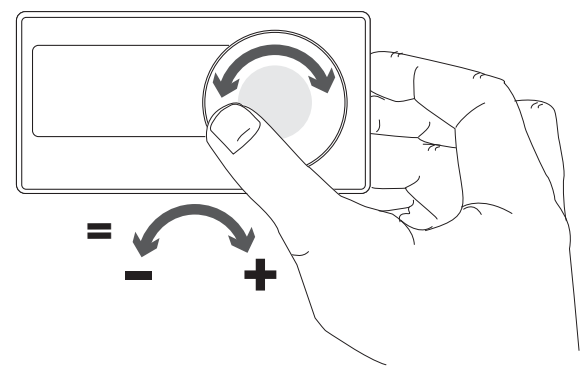
6

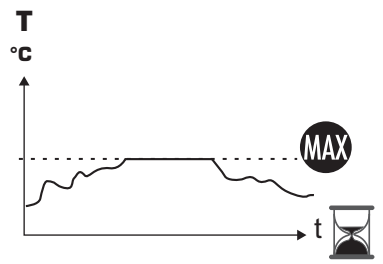
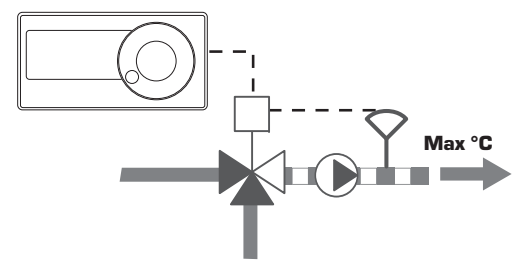


T

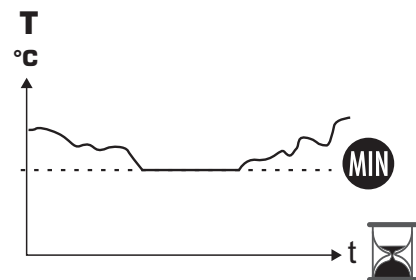
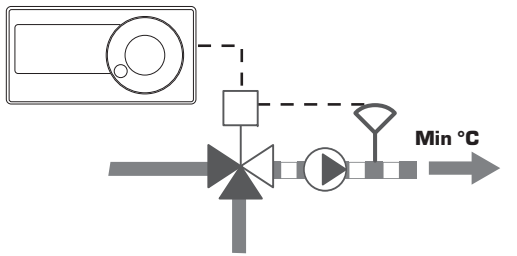
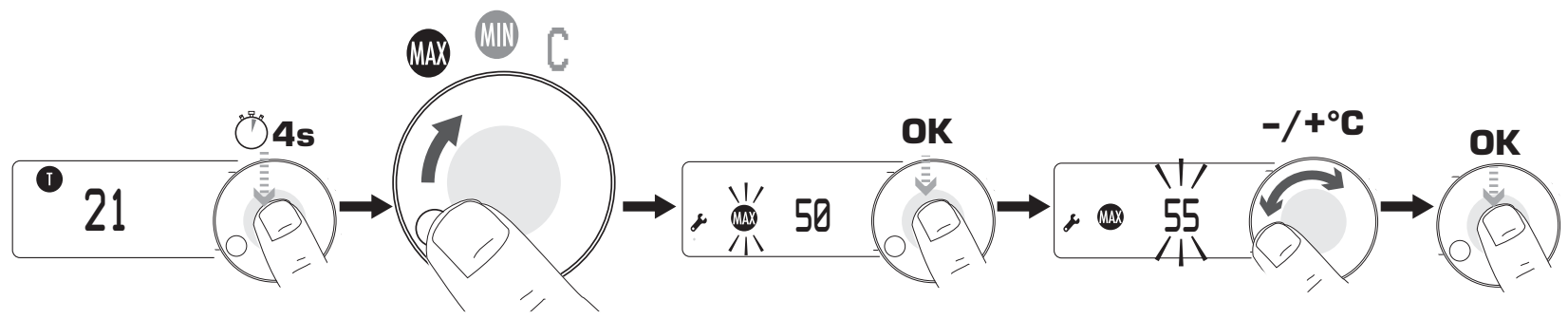


i

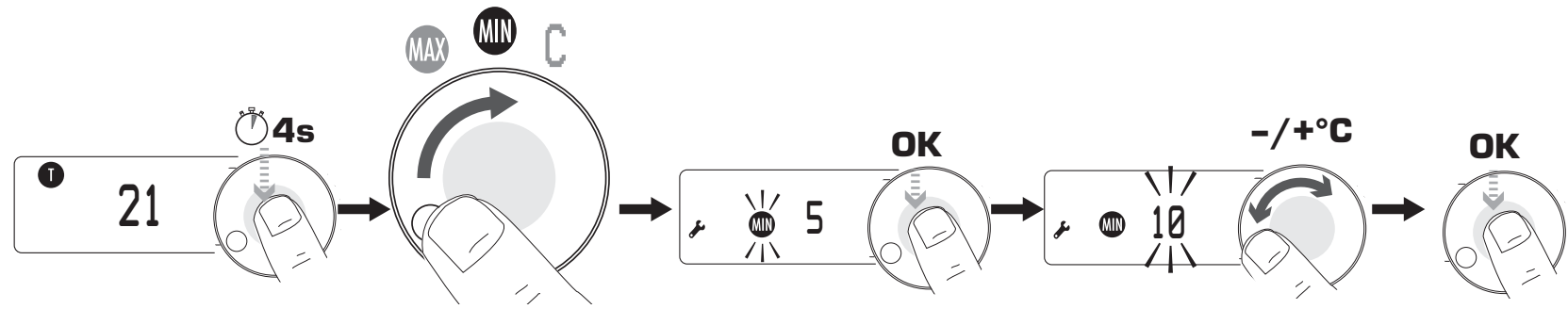


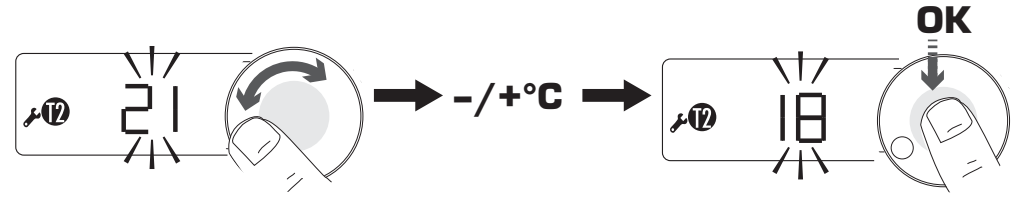
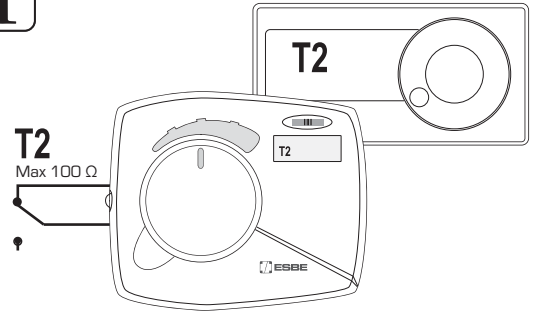
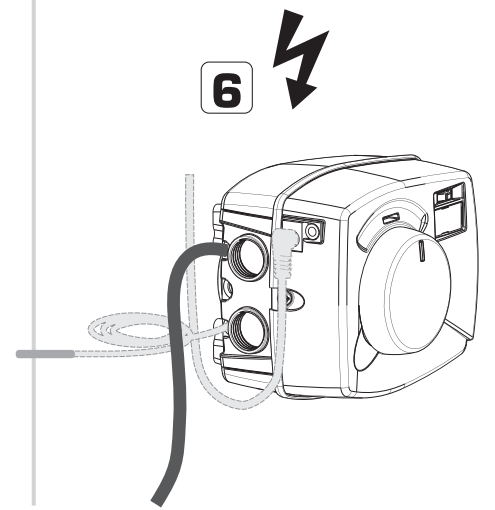
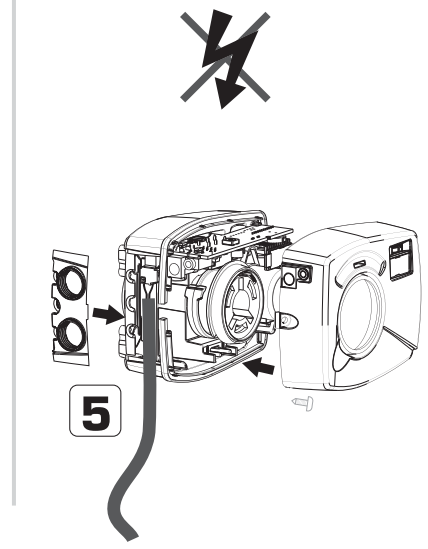
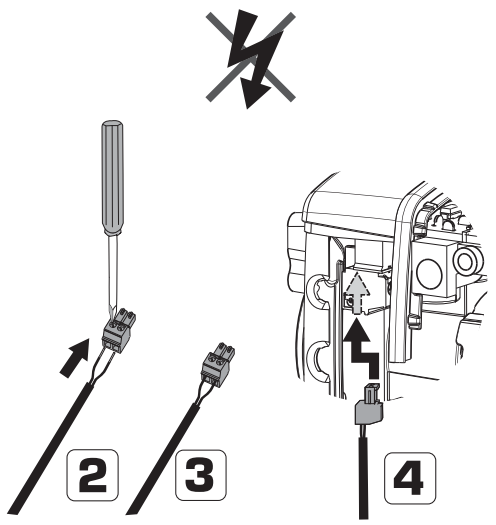
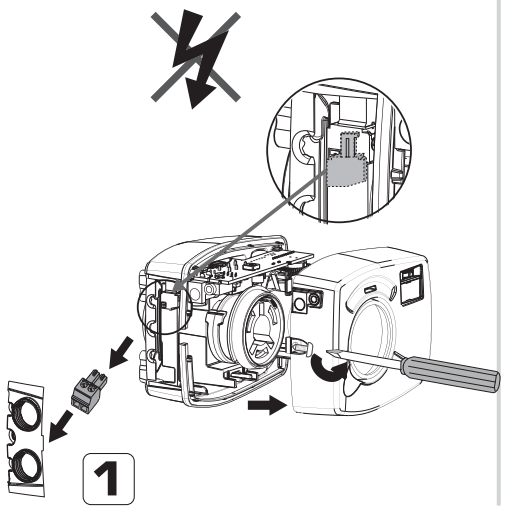
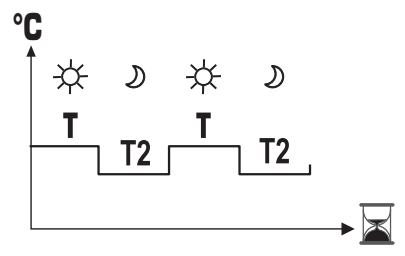
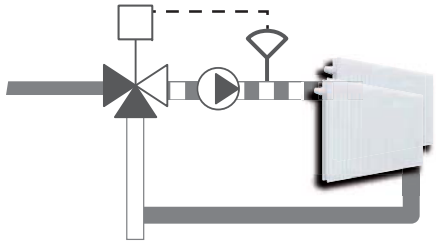


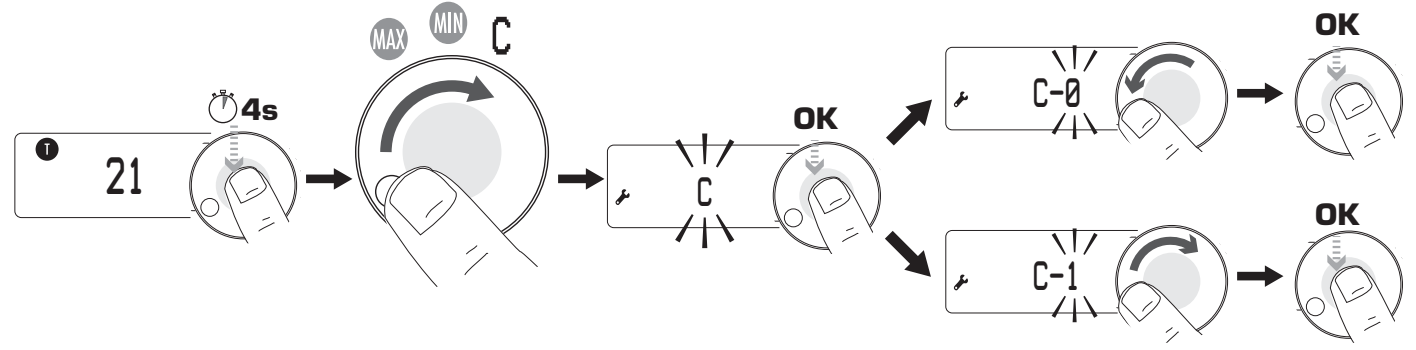
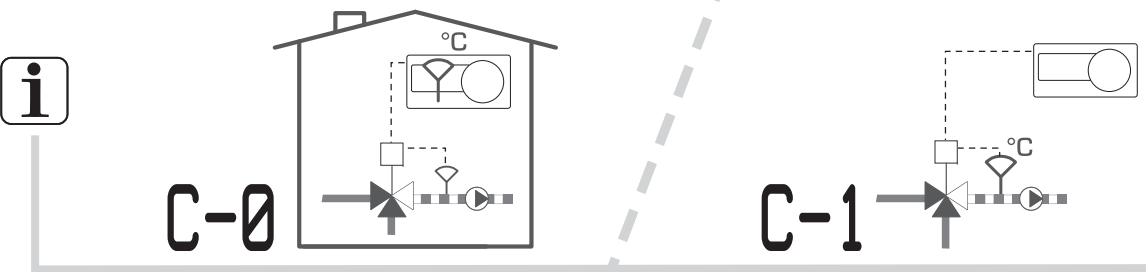
	<b>50 °C</b>
	<b>~40 - 50 °C</b>
	<b>~60 - 80 °C</b>
	<b>60 °C</b>



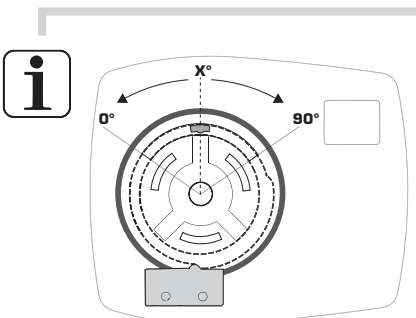
	<b>5 °C</b>
	<b>~5 - 25 °C</b>
	<b>~5 - 25 °C</b>
	<b>~5 - 25 °C</b>



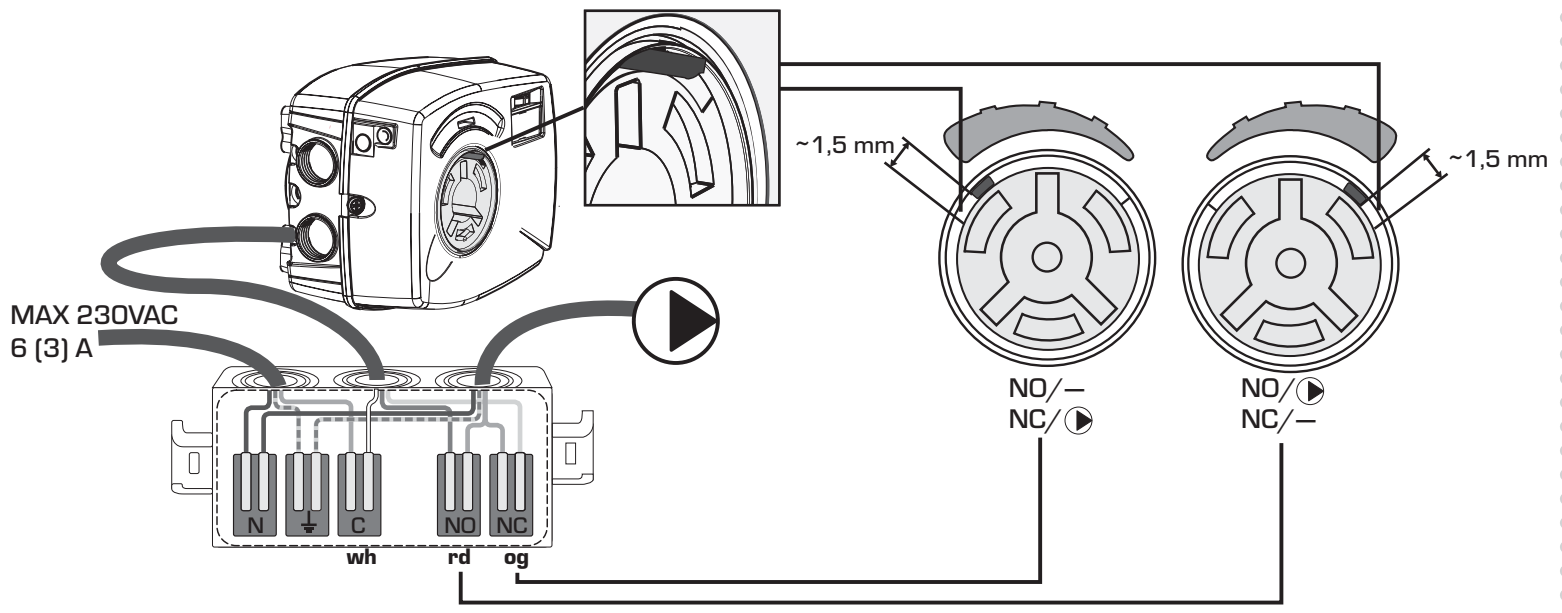




**Series CRB113** **ON/OFF**



	0° - X°	X° - 90°
NO		
NC		
	X° = 45°	



**T**

**i**

