

# PV-25 Hinged reel wall mounted with hinged arm



## Description

---

Diameter 550 x depth 250/300 mm

An open reel designed to be a fire hydrant. Equipped with a hinged arm (900 mm) that facilitates the unwinding and rewinding of the hose. Includes a fire hydrant hose and a spray nozzle. Also equipped with a hose guide, a 1" shut-off valve, a connecting hose and a rewinding knob.

## Standard

---

Manufactured according to EN 671-1 standard specifications.

## Surface finish

---

Epoxy powder coated.

Standard colours:

- grey (RAL 7040)
- white (RAL 9016)
- red (RAL 3020)

## Hose

---

1. Fabric surface polyester/EPDM lightweight hose. Fulfils EN 694:2001 standard.
  - Operating pressure: 1,2 MPa
  - Burst pressure: 9 MPa
2. Nitrile/PVC fire hydrant hose reinforced with polyester webbing. Fulfils EN 694:2001 Type A Class 2 standard.
  - Operating pressure: 1,2 MPa
  - Burst pressure: 4 MPa

The hose assembly is equipped with a spray nozzle.

## Reel

---

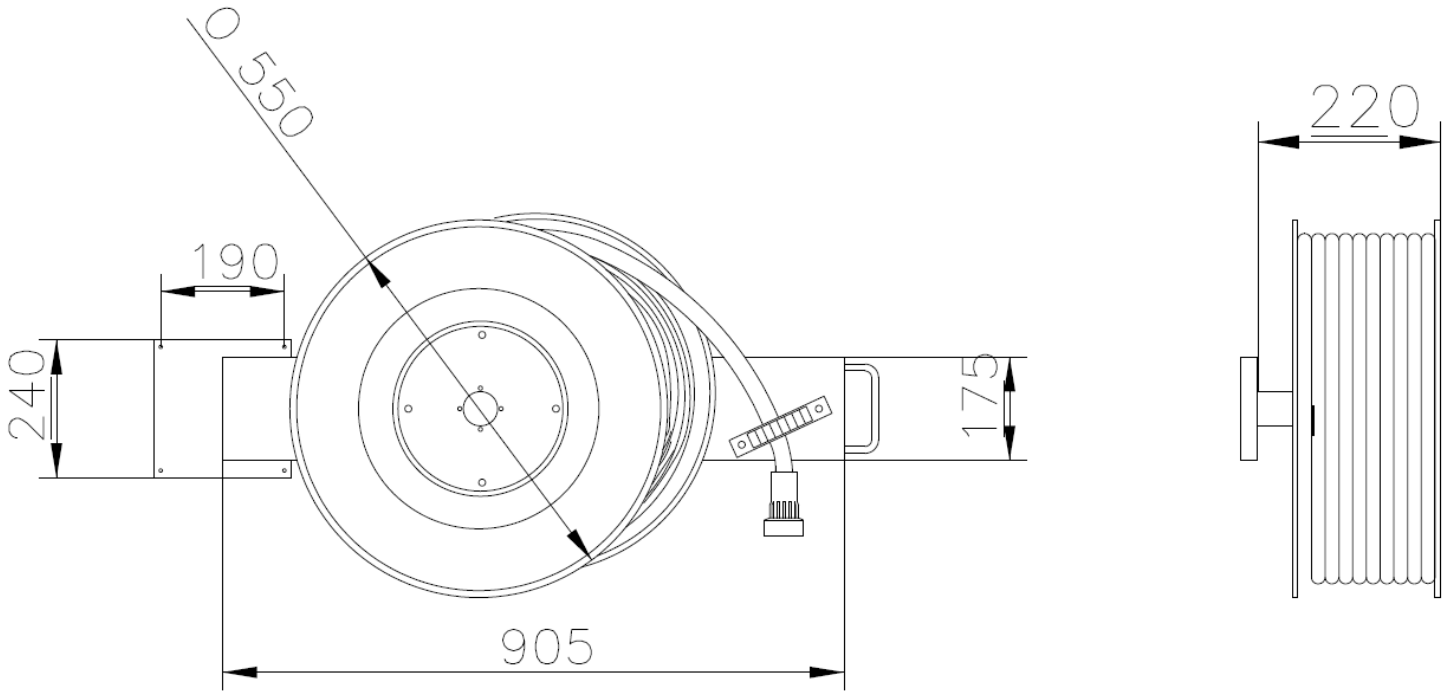
The reels are painted red. The hub of the reel is made from a special pressure-tested brass casting. The reel is equipped with a spring-reinforced feed hose and a 1" shut-off valve.

## Hose size alternatives

---

<b>Code</b>	<b>Model</b>	<b>Size</b>
2956402	PV-25	19 mm/20 m
2956404	PV-25	19 mm/25 m
2956406	PV-25	19 mm/30 m
2956408	PV-25	19 mm/40 m
2956410	PV-25	19 mm/45 m
2956412	PV-25	25 mm/20 m
2956414	PV-25	25 mm/25 m
2956416	PV-25	25 mm/30 m
2956400	PV-25	Without hose

# PV-25



# Exploded view of reel

