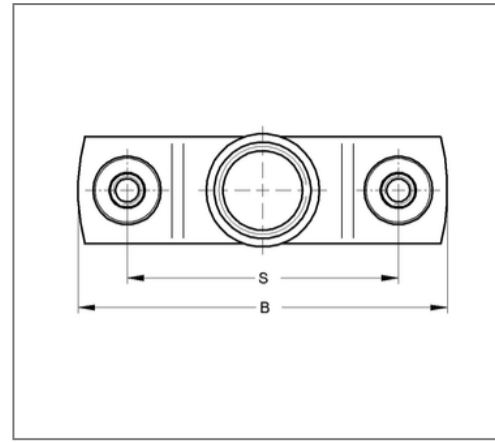
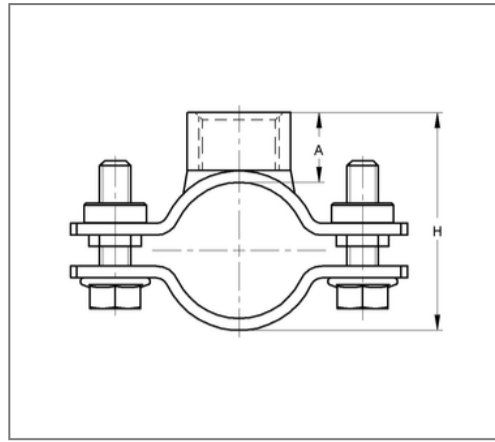
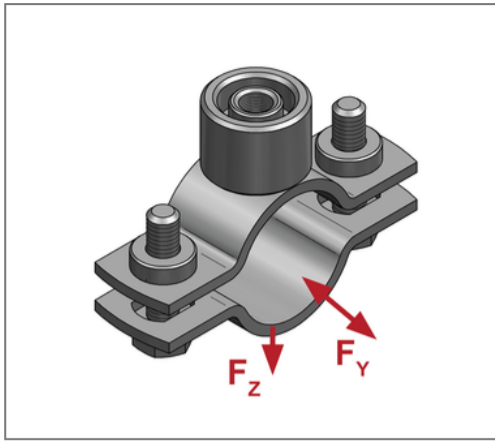


■ Pipe clamp Maxima PSM 3G 25x3 36 - 40 mm M8/M10 + 1/2" unlined



Commercial details

Part no.	0069081
EAN/GTIN	4250928402721
Packing unit	1 pcs
Quantity unit	pcs
Weight	0,246 kg/pc
Product group	01-006
Price unit	100

QR code



Specification

Application area	Clamp pipe clip for fixpoint FGL. Pipe clamp for fixing pipes.
Specification	two-part
Connection	M8/M10 + 1/2"
Closure	Pendulum stick nuts

Technical data

Material	Steel
Material type	S235
Surface	galvanized
Sound insulation lining	unlined

Product details

Center distance	68 mm
Connection height	23 mm
Width	92 mm
Height	57 - 61 mm
Material dimension	25x3 mm
load Fy	0.7 kN
load Fz	3 kN
Clamping range	36 - 40 mm
Closure screw	M8

Remark

Delivery time	5 working days ex works
Notice	With thread M16 or sleeve 1/2 Inch exchange and return are excluded.