

Cover f/QS3300

QTOO collection

Product

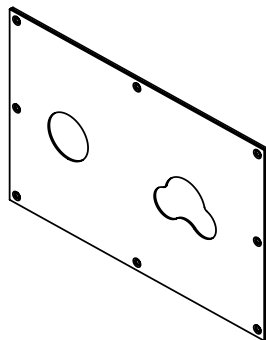
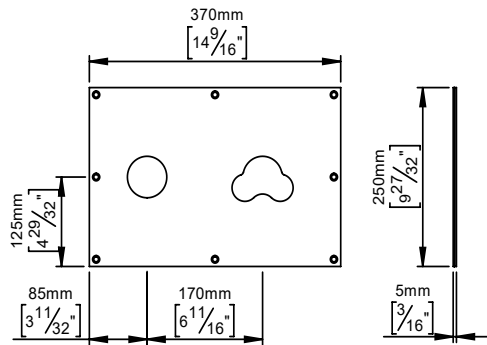
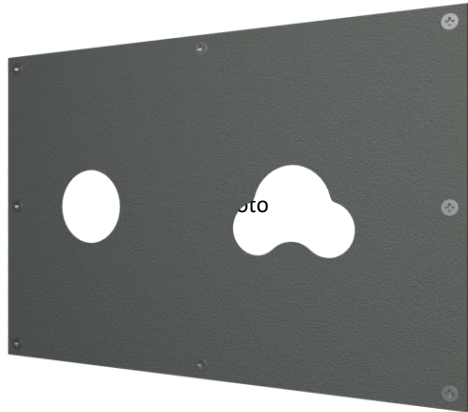
Cover plate for QS3300 built in module

Tender text

Qtoo collection, cover plate for QS3300 built in module.

Product specification

Dimensions: 370x250x5mm


Available finishes
**Spare parts/
accessories**
Mounting
<https://dline.com/mounting-instructions/>
Product care

d line products are produced in the highest quality marine grade AISI 316 stainless steel. To sustain the unique d line finish please follow the below instructions:

- Wash down the surfaces using soapy water or mild detergent
 - Always thoroughly rinse off with clean water
 - To complete the cleaning procedure dry/polish the surface with a soft dry cloth
- Please do not use scouring powder, steel wool, chloride based detergents or other aggressive cleaning products as these may damage the surface.
- If spots or corrosion appear on the surface it is not due to the stainless steel quality, but to impurities in the environment, aggressive conditions or improper or insufficient cleaning.