

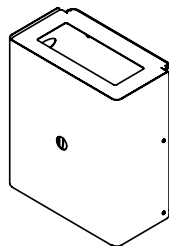
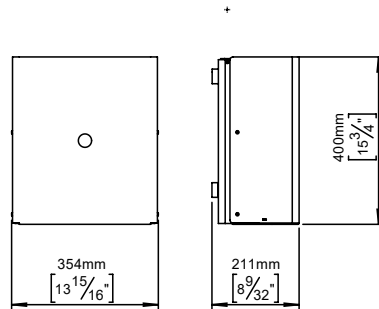
Waste bin, Medium

Knud Holscher collection

Product Waste bin, Medium 20ltr, 350x210x400 mm

Tender text Knud Holscher collection, waste bin M size 20 L, with lid. Manufactured in the highest quality marine grade, AISI 316 stainless steel, protecting against high levels of corrosion. 20-year warranty.

Product specification Dimensions: 350x400x210mm
Volume: 20L
Soft-open front and lid plate for easy bag change,
Material: stainless steel AISI 316
Surface finish: satin grain 320, crafted by hand
[20-year warranty \(5 years for coated items\)](#)



Available finishes



Spare parts/ accessories P 453 - Ø4,5x70/plug 8x40, set of 3 pcs
14983400327- Drill template
14709700005 - Plastic bags, 45L, 1 pack

Mounting <https://dline.com/mounting-instructions/>

Product care

d line products are produced in the highest quality marine grade AISI 316 stainless steel. To sustain the unique d line finish please follow the below instructions:

- Wash down the surfaces using soapy water or mild detergent
- Always thoroughly rinse off with clean water
- To complete the cleaning procedure dry/polish the surface with a soft dry cloth

Please do not use scouring powder, steel wool, chloride based detergents or other aggressive cleaning products as these may damage the surface.

If spots or corrosion appear on the surface it is not due to the stainless steel quality, but to impurities in the environment, aggressive conditions or improper or insufficient cleaning.