

Sanitary bag dispenser

Knud Holscher collection

Product

Sanitary bag dispenser 285x75x140mm

Tender text

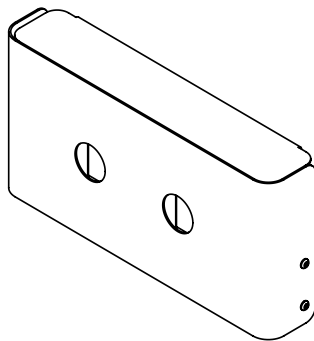
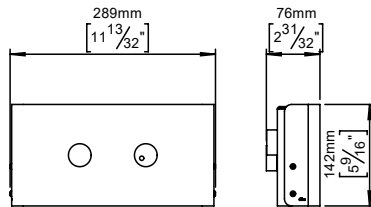
Knud Holscher collection, sanitary bag dispenser, wall mounted. Manufactured in the highest quality marine grade, AISI 316 stainless steel, protecting against high levels of corrosion. 5-year warranty.

Product specification

Dimensions: 285x142x75mm

Manufactured in the highest quality marine grade, AISI 316 stainless steel, protecting against high levels of corrosion. 5-year warranty

[20-year warranty \(5 years for coated items\)](#)


Available finishes

Spare parts/ accessories

14709500000 - Box with hygiene plastic bags
P 453 - Accessories f/dispensers
14983400340 - Drill template

Mounting

<https://dline.com/mounting-instructions/>

Product care

d line products are produced in the highest quality marine grade AISI 316 stainless steel. To sustain the unique d line finish please follow the below instructions:

- Wash down the surfaces using soapy water or mild detergent
- Always thoroughly rinse off with clean water
- To complete the cleaning procedure dry/polish the surface with a soft dry cloth

Please do not use scouring powder, steel wool, chloride based detergents or other aggressive cleaning products as these may damage the surface.

If spots or corrosion appear on the surface it is not due to the stainless steel quality, but to impurities in the environment, aggressive conditions or improper or insufficient cleaning.