

Technical data sheet

Type 4760

Backflow preventer

Type BA

Applications and special features



- The backflow preventer BA are in the process of different national certifications and are designed to protect drinking water systems from contamination by polluted liquids which do not present toxic or microbiological risks to human health as defined by the health authorities.
- The backflow preventer BA is composed by 3 zones : upstream, middle and downstream chamber, each chamber is fitted with pressure plug.
- Two independent non return devices which separate the middle zone (reduced pressure zone) from each other zone, normally closed when no water .
- A discharge device (evacuation to waste) linked to the middle chamber, normally closed when no water.

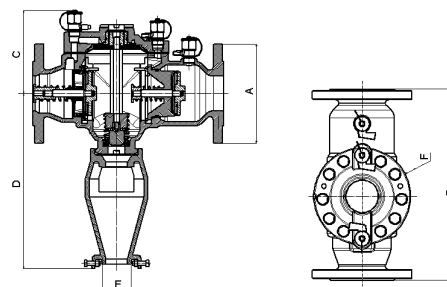
Technical description

DN		PN	References	Vvs-nr
"	mm			
2 1/2	60/65	10/16	149B3486	
3	80	10/16	149B3097	
4	100	10/16	149B3098	
6	150	10/16	149B3400	
8	200	10	149B3401	
10	250	10	149B3402	

- **Connection** : with flanges - PN : see table
- **Permissible operating pressure PFA - water-** : 10 bar
- **T° maxi** : 65°C
- **mediums** : Clear water
- **Approvals** : NF Antipollution - Véritas - ACS (France) - BELGAQUA (Belgium)
- **Other approvals available** : WRAS (UK) - UNI (Italie) - DVGW (Germany) - VA (Danemark) - KIWA (Holland) - SVGW (Switzerland) - Consult us.
- **International construction Standards** : EN 1717 - NF EN 12729 - Flange connection according to EN 1092-2

Overall dimensions

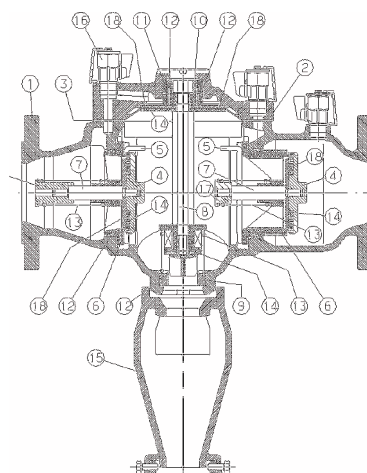
DN		A	B	C	D	E	F	Weight
"	mm	mm	mm	mm	mm	mm	mm	kg
2 1/2	60-65	185	356	155	326	63	180	25,0
3	80	200	440	173	337	63	200	29,5
4	100	220	530	201	434	80	255	58,0
6	150	285	630	230	456	80	310	83,5
8	200	340	763	272	499	80	390	141,0
10	250	395	763	272	499	80	390	151,0



Technical data sheet Type 4760 - Backflow preventer BA

Spare parts list and materials

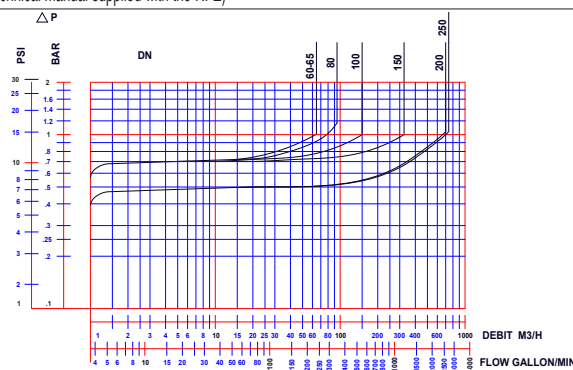
Nb	Description	Materials	EURO	ANSI
1	CASING	Cast iron	EN-GJL-250	ASTM A 48 35 B
		Ductile iron	EN-GJS-400.15	ASTM A 536 65-45-12
2	CAP	Cast iron	EN-GJL-250	ASTM A 48 35 B
		Ductile iron	EN-GJS-400.15	ASTM A 536 65-45-12
3	MEMBRANE	EPDM		
4	CLOSING SYSTEM	Brass	CuZn36Pb2As	
		Bronze	CuSn5Zn5Pb5-C	ASTM B 505
5	RINGS	Stainless steel	X10CrNi18-8	AISI 302
6	CLOS SYST SEAT	PPO		
7	CLOS SYST STEM	Bronze	CuSn5Zn5Pb5-C	ASTM B 505
		Stainless steel	X5CrNi18-10	AISI 304
8	DRAIN VALVE STEM	Brass	CuZn36Pb2As	
		Bronze	CuSn5Zn5Pb5-C	ASTM B 505
9	DRAIN VALVE SEAT	Stainless steel	X5CrNi18-10	AISI 304
10	DRAIN VALVE HEAD	Bronze	CuSn12-C	
		POM		
11	DRAIN VALVE GUIDE	PPO		
12	SEAL	EPDM		
13	SPRING	Stainless steel	X10CrNi18-8	AISI 302
14	FLAT RING	EPDM		
15	FUNNEL	Ductile iron	EN-GJS-400.15	ASTM A 536 65-45
		Stainless steel	X5CrNi18-10	AISI 304
16	BALL VALVE	Brass	CuZn39Pb2	ASTM B 124
17	STOP GUIDE	Brass	CuZn36Pb2As	
		Bronze	CuSn5Zn5Pb5-C	ASTM B 505
18	DISC	Stainless steel	X5CrNi18-10	AISI 304



Installation and maintenance

- In accordance with anti pollution standard and hygiene regulations, the user undergoes the following requirements :
 - declaration of intention of installation, 2 months before doing the work.
 - declaration of putting into service.
 - annual performance check (maintenance), including the accessories which are part of the protection device ; the results are communicated to the health authorities.
 - In the case of an upstream diversion in the area right in front of the RPZ, it is necessary to install a check valve between the diversion and the RPZ.
 - Always manipulate the upstream valve slowly
 - Directions for installation :
 - Total accessibility
 - non-submersible installation
 - purge carefully all air from the installation (non polluted atmosphere) ,
 - the discharge valve must be able to get the discharge flow rate.
 - protection against frost or extreme temperatures
 - It should be mounted horizontally, with the discharge outlet oriented to the bottom. The pressure gauge connections allow an easy control of the installation.
 - it should be installed only when the volume of possible backflows do not exceed the discharge capacity.
 - Installation specification : the correct installation requires :
 - upstream : stop valve + filter (with washing tap)
 - downstream : stop valve
- (See technical manual supplied with the RPZ)

Working principle



Danfoss can accept no responsibility for possible errors in catalogue, brochures and other printed material. Danfoss reserve the right to alter its products without notice. This also applies to products already agreed. All trademarks in this material are the property of the respective companies. Danfoss and the logo type are trademarks of Danfoss A/S. All right reserved.