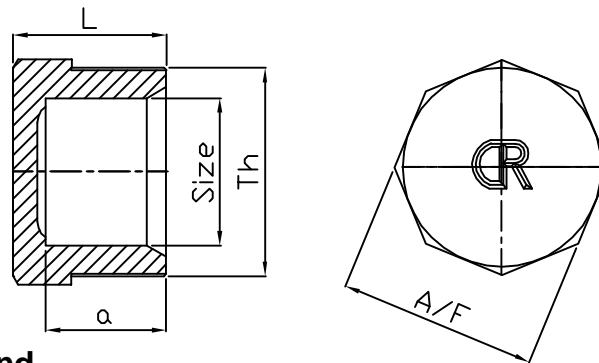


P923DR Provtryckningspropp



Stop End

Product Code	Size	L	Th	A/F	a
P923DR.2	10	14	3/8"B.S.P	17 (Hex)	10.5
P923DR.3	12	14	3/8"B.S.P	17 (Hex)	10.5
P923DR.4	15	15.5	1/2"B.S.P	21.5 (Oct)	12.4
P923DR.45	18	15.5	∅23.8 x 14 T.P.I	24 (Oct)	12.5
P923DR.5	22	15.5	1.1/8"B.S.P x 14 T.P.I	29 (Oct)	13
P923DR.6	28	19.25	∅35.0 x 14 T.P.I	35 (Oct)	15
P923DR.7	35	20.5	∅42.42 x 14 T.P.I	44 (Hex)	15.5



TO BE USED FOR REFERENCE ONLY

First Angle Projection

* Information not available

PRODUCT MARKING =