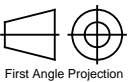
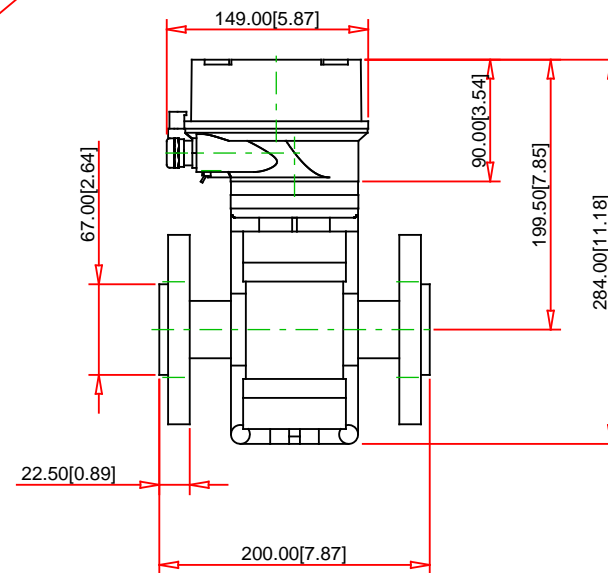
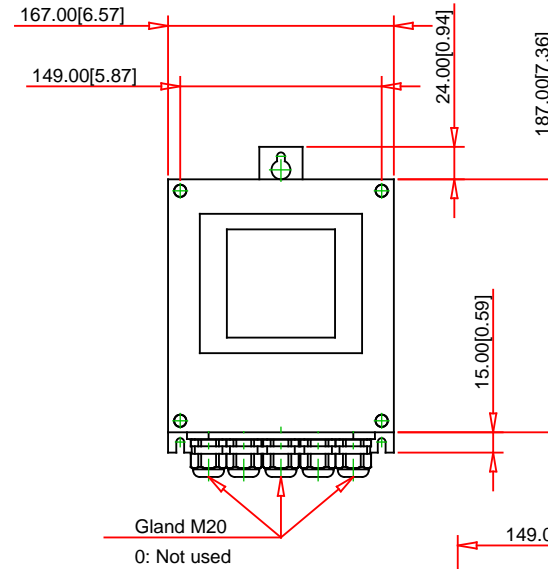


PN16, carbon steel, lap joint flange EN1092-1 (DIN2501)
DN32
LINER: Polyurethane



Disclaimer:

To ensure the accuracy of the information contained in this document every reasonable effort has been made. Endress+Hauser may not make any warranties, express or implied, with respect to the accuracy, the completeness or the technical or commercial usefulness of this document. Endress+Hauser may modify or replace this document any time.

© 09.11.2018 Endress+Hauser

Order Code :
5L4C32-AALHN0AUD320A+L1

Product Description :
Promag L 400, 5L4C32, DN32

www.addresses.endress.com

Endress+Hauser

People for Process Automation