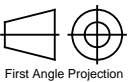
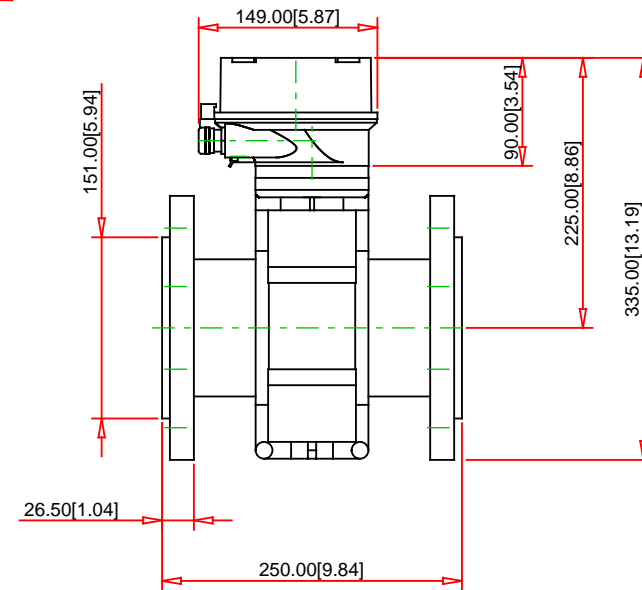


PN16, carbon steel, lap joint flange EN1092-1 (DIN2501)
DN100 4"
LINER: Polyurethane



First Angle Projection

Disclaimer:

To ensure the accuracy of the information contained in this document every reasonable effort has been made. Endress+Hauser may not make any warranties, express or implied, with respect to the accuracy, the completeness or the technical or commercial usefulness of this document. Endress+Hauser may modify or replace this document any time.

© 09.11.2018 Endress+Hauser

Order Code :
5L4C1H-AALHN0AUD320A+L1

Product Description :
Promag L 400, 5L4C1H, DN100 4"

www.addresses.endress.com



People for Process Automation