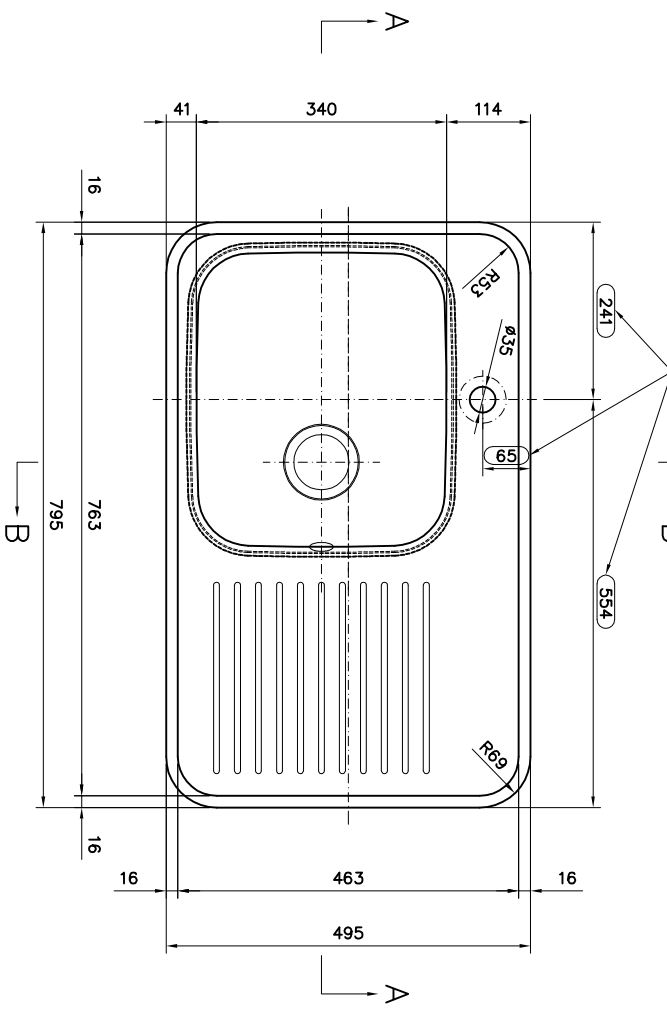
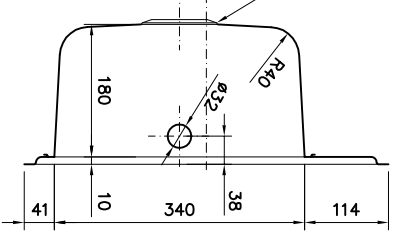


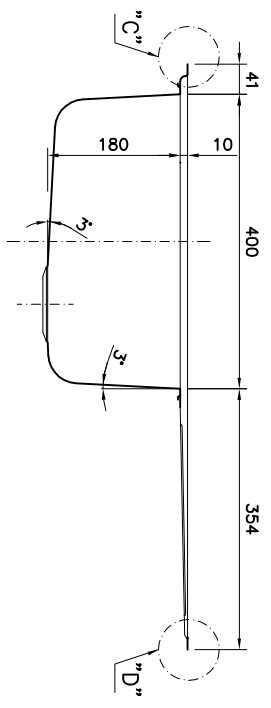
Cotas características de la situación del orificio de grifería.



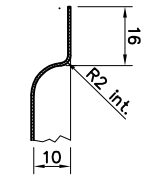
Oficinos de desguaje en cubeta "GT" s/plano nº AH 10692 en su última revisión.



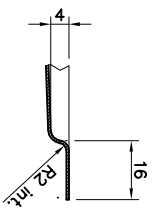
Sección A-A



Sección B-B



Detalle "C"
Escala 1:1



Detalle "D"
Escala 1:1

REV	DESCRIPCIÓN DEL CAMBIO / DESCRIPTION OF CHANGE	LOC.	POB / BY	FECHA / DATE
THIS DRAWING IS THE PROPERTY OF TEKA INDUSTRIAL, S.A. IT CONTAINS CONFIDENTIAL INFORMATION BELONGING TO AND/OR ENTRUSTED TO TEKA. IT IS DISCLOSED IN CONFIDENCE AND SHALL NOT BE HELD, REPRODUCED, DISCLOSED OR USED EXCEPT IN A MANNER AND FOR A PURPOSE EXPRESSLY PERMITTED BY TEKA IN WRITING.				
TÍTULO / TITLE: FREGADERO INTRA CITY BE 795.495 1C1E				
MATERIAL: ET.04.01.02 / ET.04.01.01				
UNITS: mm	FIRST ANGLE PROJECTION	INTERPRETATION PER ISO 1101		
ESCALA / SCALE 1:1 (1:2.5) (1:5)		= CARACTERÍSTICA SIGNIFICATIVA / CONTROL CHARACTERISTIC		
DO NOT SCALE		= CONTROL CHARACTERISTIC		
TÍTULO / DESCRIPTION: FREGADERO INTRA CITY BE 795.495 1C1E		PLANO / DRAWING NUMBER: AY15300a		
CODIGO / PART NO.		SUBSTITUIVA / REFERENCE TO: AY15300		
TEKA INDUSTRIAL, S.A. Santander, SPAIN		HOJA SHEET: 1 OF 1		
DRAWING SIZE: A2		PLANO / DRAWING NUMBER: AY15300a		
1		2		
2		3		
3		4		
4		5		
5		6		
6		7		
7		8		
8		9		
9		10		
10		11		
11		12		