

art.M02434

art.418523

ACO

DN315

DN250


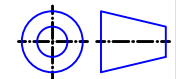
DN200

for pipe DN300

for pipe DN250

for pipe DN200

DN300/OD 315

Material		Mass <b>7,56 kg</b>		 <b>ACO Industries Tábor s.r.o.</b> Průmyslová 1158    Tel.: 381474600 391 02 Sezimovo Ústí    Fax: 381632550 www.aco-industries.cz
Tolerance <b>TKV_06</b>		Tolerance for welding		
Created by	Date	Name	Scale	Projection: ISO-E  The reproduction, distribution and utilization of this document as well as the communication of its contents to others without express authorization is prohibited.
Reviewed by	3.9.2019	ojahodnik		
Update				
Prowell_153_315/250/200			Drawing NO.	Index
art.418527			N321-2071-09-00	
			List: 1 / 2	A3