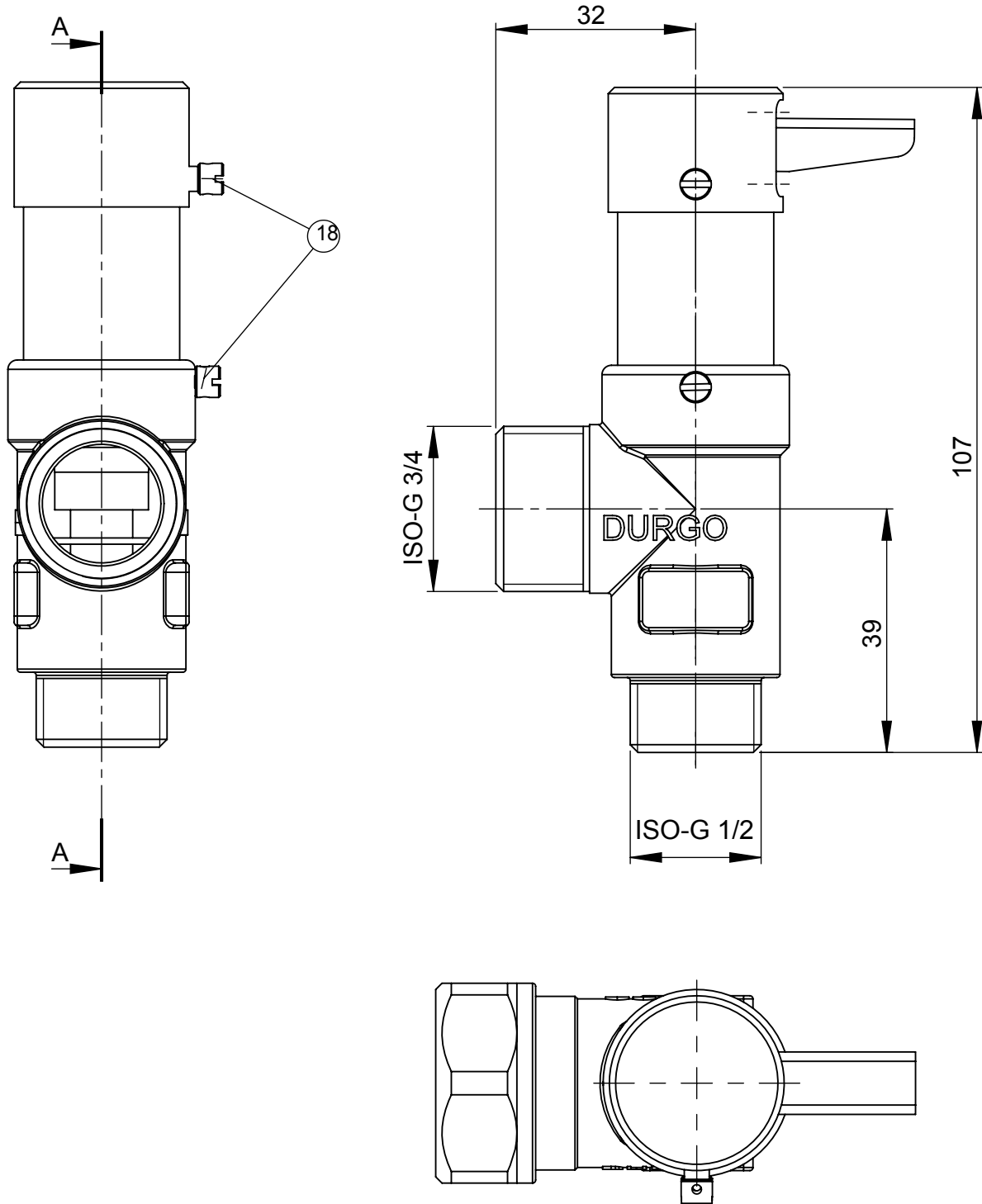



No.	Description	Date	By
1			



Säkerhetsventil	DN15/20			
Detail	Material	Blanket/Dim		Note
 <p>Box 3021, SE-169 03 SOLNA, Sweden Ph.+46 8 730 5280 Fax+46 8 735 6955 www.durgo.se sales@durgo.se</p>	Drawn by	Date	Scale	Weight
	HH	2012-12-18	1:1	403 g
	Säkerhetsventil SV77 (GT-77) DN15/20			
				Drawing no. SVBA00-2-DIM r1