

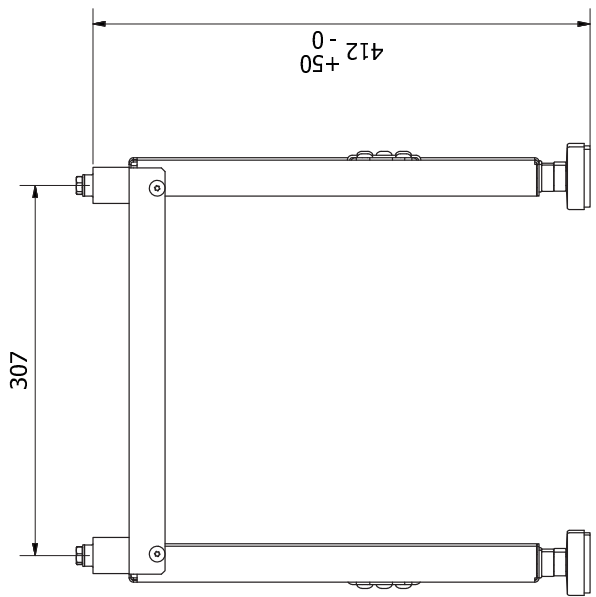
SKRUVARNA BEHÖVER CA 10NM FÖR ATT FORMA GÅNGAN
 SCREWS NEED ~10NM TO CREATE THE THREAD

ITEM	QTY	TITLE	DIMENSION
9	12	SCREW M5x10 TORX, 25	M5x10
8	4	SCREW M8	M8x16
7	4	VIB DAMPER M8-M8INT	M8-M8 INTERNAL Ø30
6	8	WASHER	SRB 9x18x1,5
5	4	FOOT WITH M12 LEG	FOOT=Ø52 LEG=M12x1,75
4	4	FLANGE NUT WITH TEETH M8	M8 FZB DIN6923 NV13
3	2	LEG SET	1077,5x108,6x1,5
2	2	STRUT SUPPORT RIGHT	419,2x87,3x2
1	2	STRUT SUPPORT LEFT	415,2x78,4x2

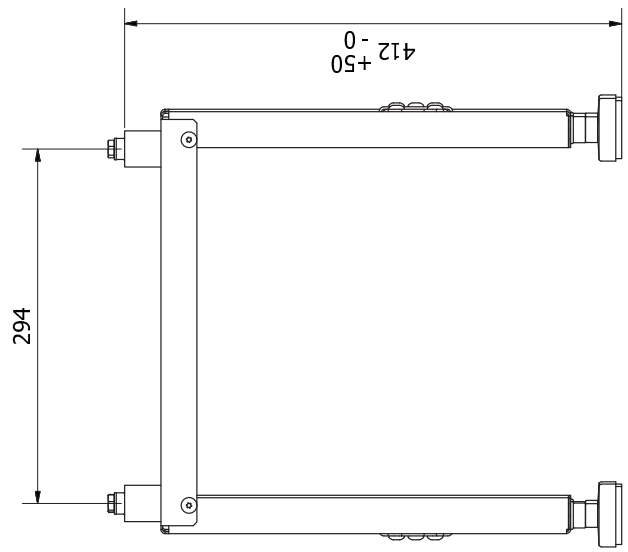
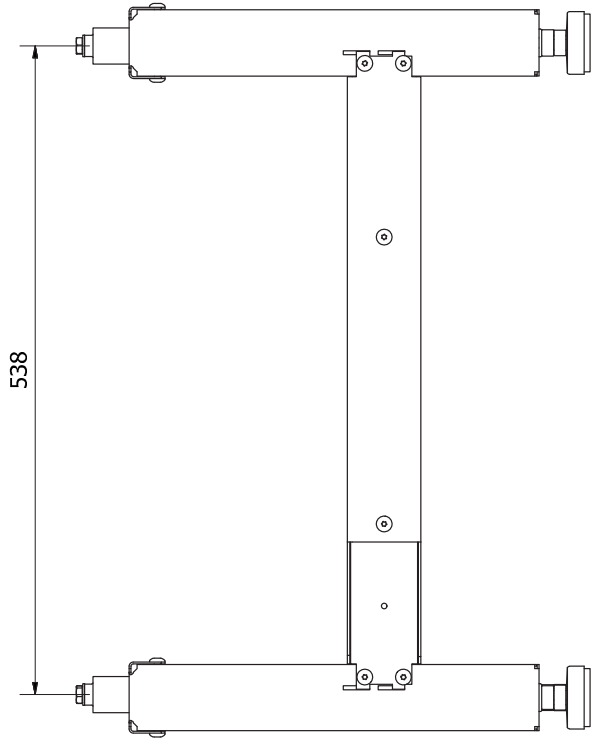
AG-SERIES 3,4 & 5kW



331422



AG-SERIES 4 kW & 5 kW



AG-SERIES 3 kW

