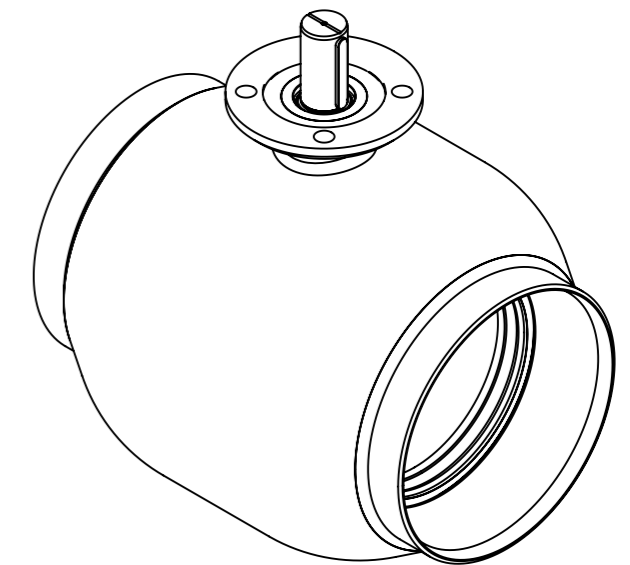
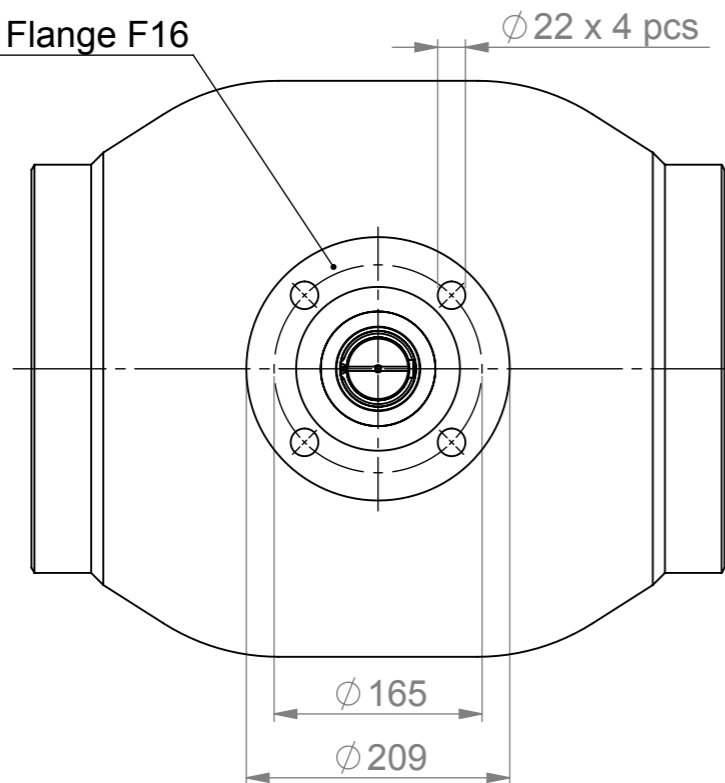


ISO 5211 Top Flange F16



Main dimension drawing for customer use		Description Steel ball valve DN300 W/W	
 Weight		kg	
Drawn by	MAk 28.11.2017	 www.vexve.com	Drawing number 100300-C
Approved by	SSi 28.11.2017		Product number 100300