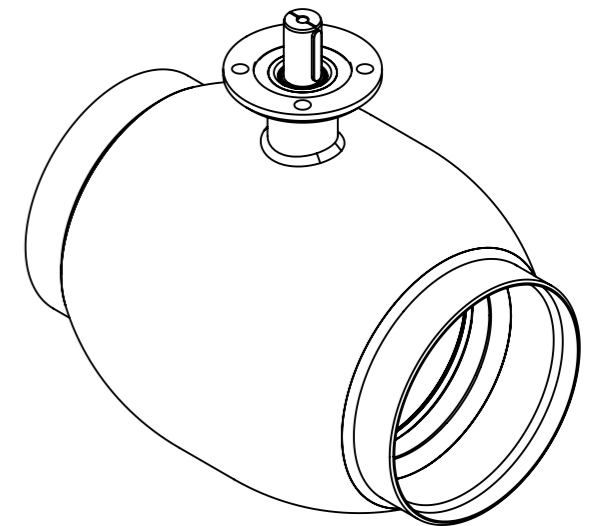
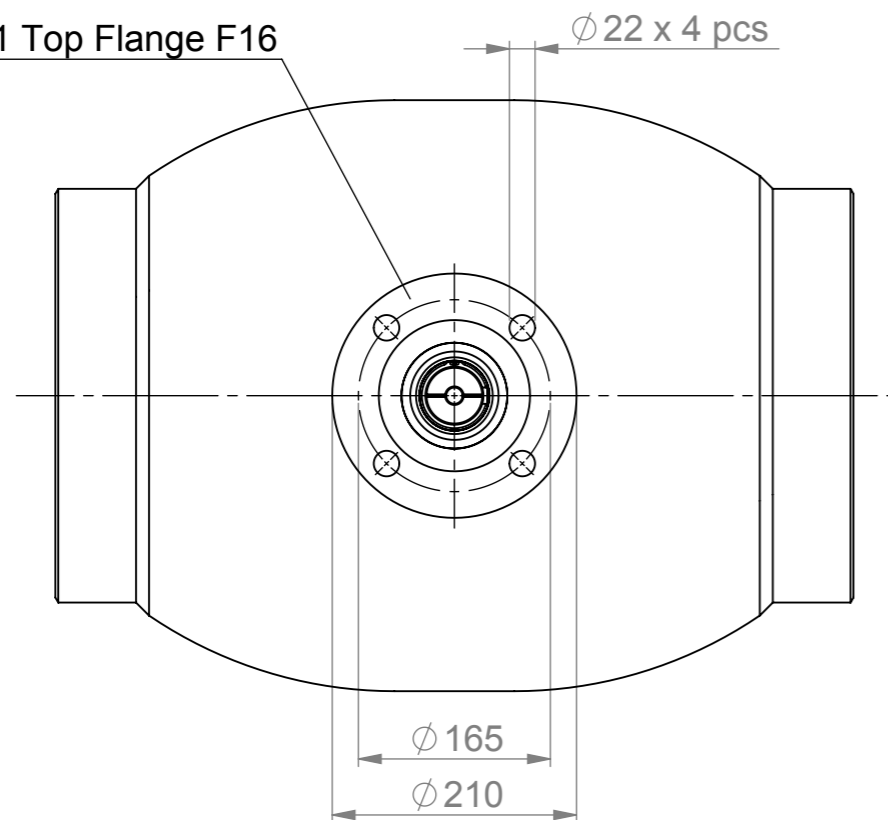


ISO 5211 Top Flange F16



Main dimension drawing for customer use		Description Steel ball valve DN350 W/W	
		Weight	kg
Drawn by	MAk 31.05.2017	 <a href="http://www.vexve.com">www.vexve.com</a>	Drawing number 100350-C
Approved by	SSi 07.12.2017		Product number 100350