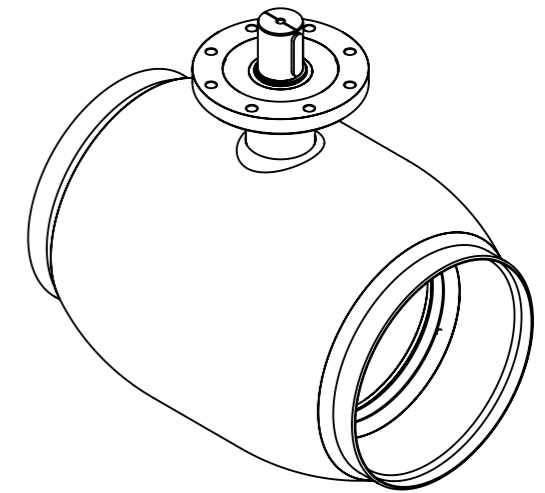
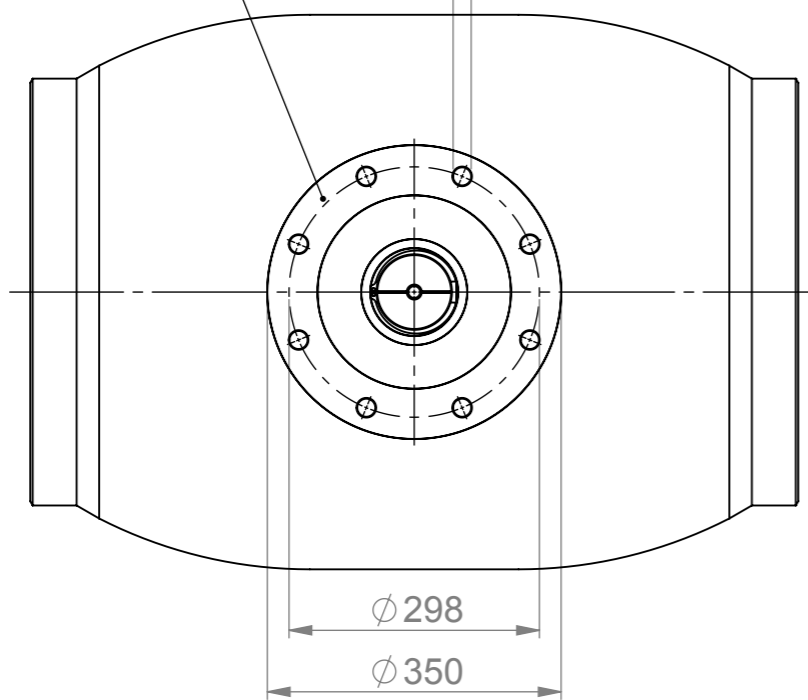


ISO 5211 Top Flange F30

Ø 21,5 x 8 pcs



Main dimension drawing for customer use		Description Steel ball valve DN500 W/W	
		Weight	kg
Drawn by	MAk 31.05.2017	 www.vexve.com	Drawing number 100500-C
Approved by	SSi 19.12.2017		Product number 100500