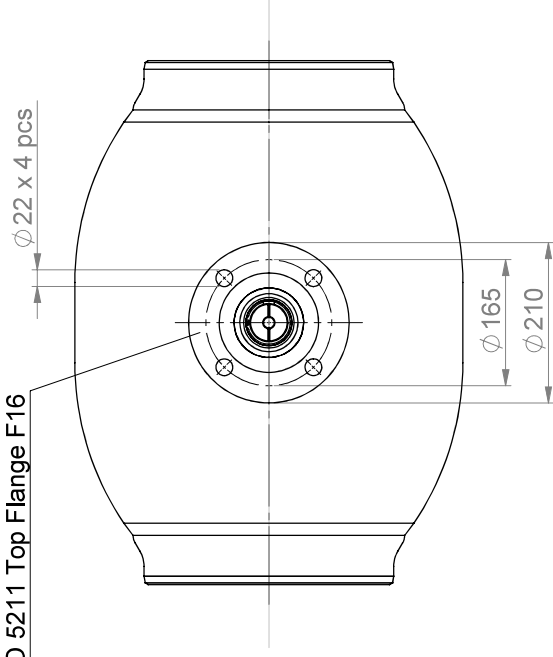


ISO 5211 Top Flange F16



Main dimension drawing for customer use		Weight	kg
Drawn by	MAK	02.06.2017	
Approved by			

Description  
**Steel ball valve DN300 WW**  
**Full bore**



Drawing number **150300-C**  
 Product number **150300**