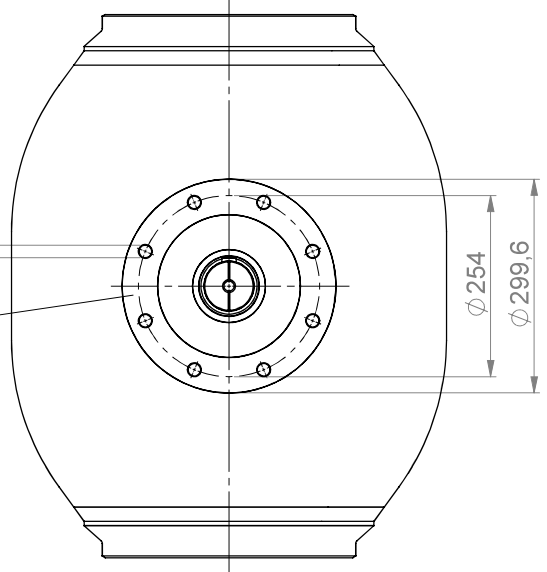


ISO 5211 Top Flange F25



Main dimension drawing  
for customer use

Weight kg

Description		Steel ball valve DN350 WW	Drawing number	150350-C
Weight		kg	Product number	150350
Full bore			 www.vexve.com	
Drawn by	MAK	02.06.2017		
Approved by	SSi	02.06.2017		