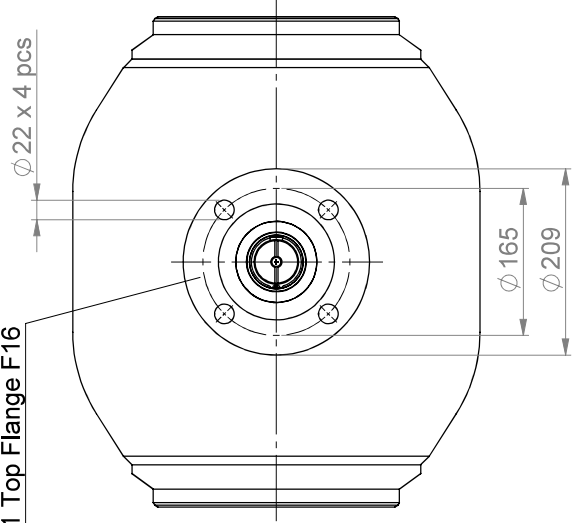


ISO 5211 Top Flange F16



Main dimension drawing for customer use		Weight		kg
Drawn by	MAK	02.06.2017		
Approved by	SSi	02.06.2017		

Description		Drawing number	150250-C
Steel ball valve DN250 WW		Product number	150250
Full bore			

