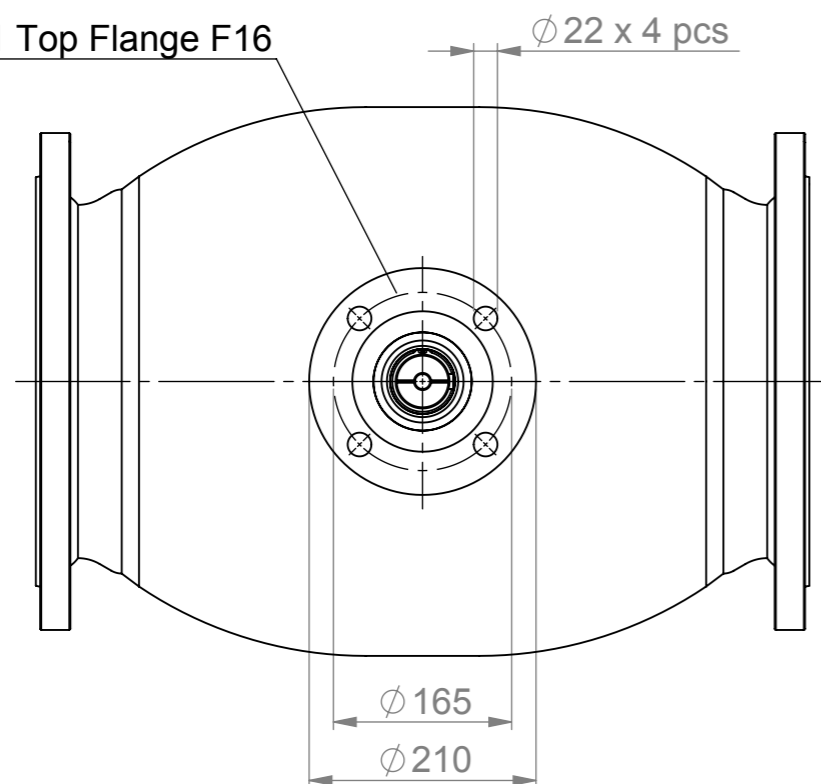


ISO 5211 Top Flange F16



Main dimension drawing  
for customer use



Weight  
kg

Description  
Steel ball valve DN300 F/F PN16

Full bore

Drawn by  
MAk 31.05.2017

Approved by  
SSi 01.06.2017

**VEXVE**  
www.vexve.com

Drawing number 153300-C

Product number  
**153300**