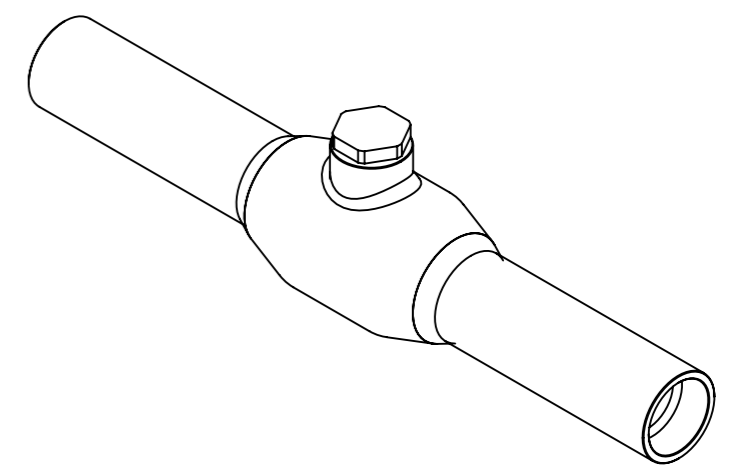
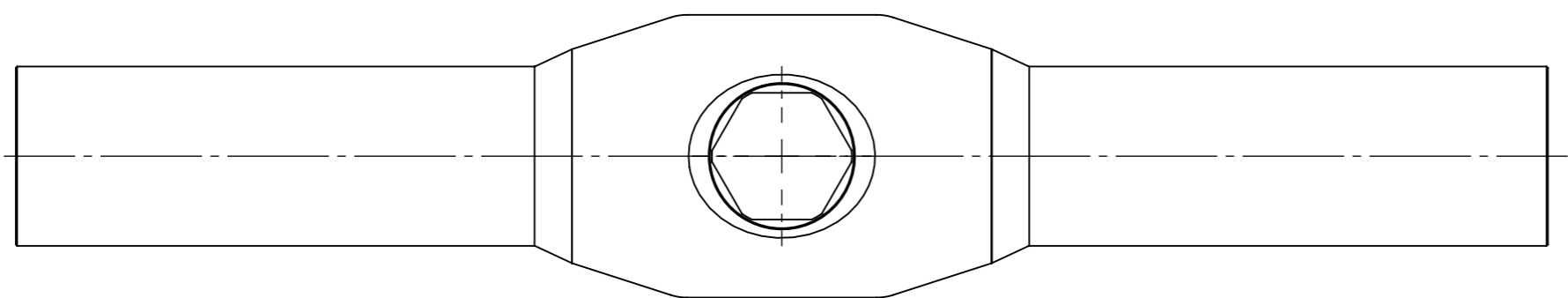
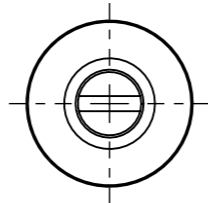


Top view of the stem
without the plug



Main dimension drawing for customer use		Description Branching valve DN20 W/W	
		Weight	kg
Drawn by	MAk 11.08.2017		Drawing number 120020-C
Approved by	TSa 17.09.2024		Product number 120020