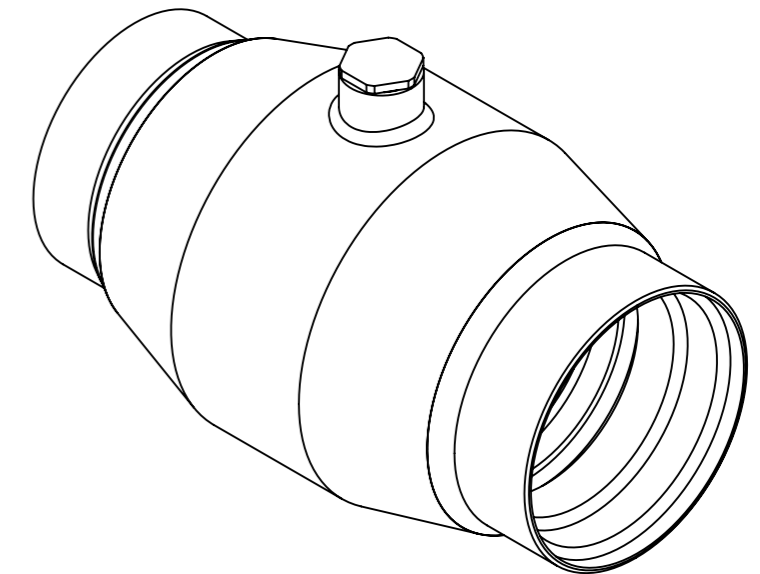
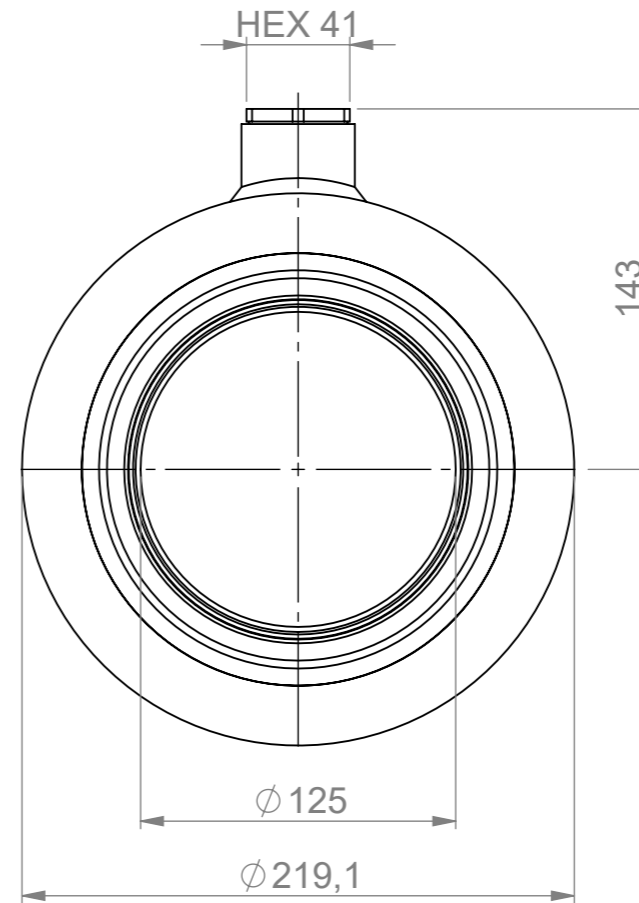
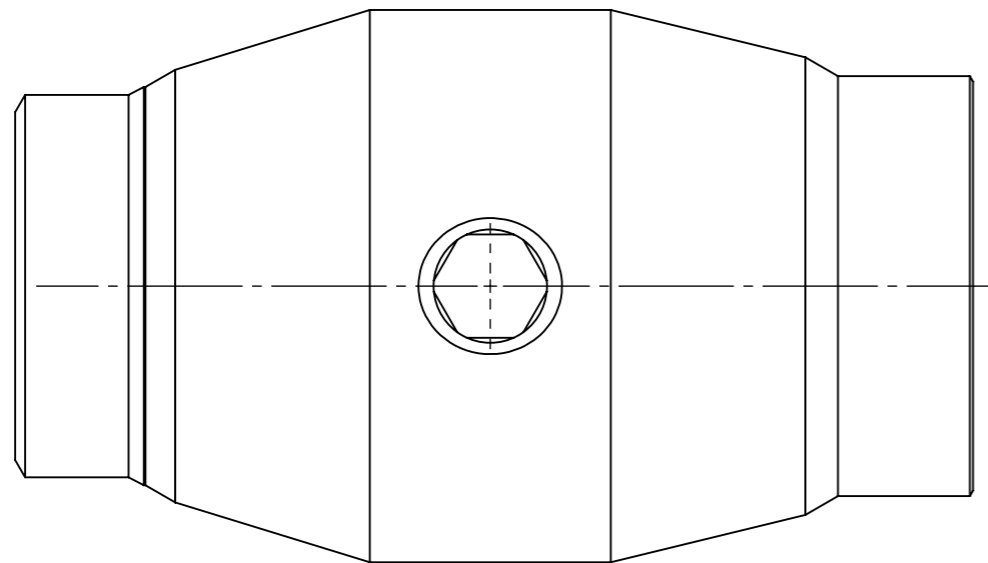
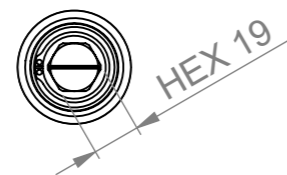


Top view of the stem
without the plug



Main dimension drawing for customer use		Description Hot tapping valve DN150 W/W	
		Weight	kg
Drawn by	MAk 06.11.2017	 www.vexve.com	Drawing number 126150-C
Approved by	SSi 06.11.2017		Product number 126150