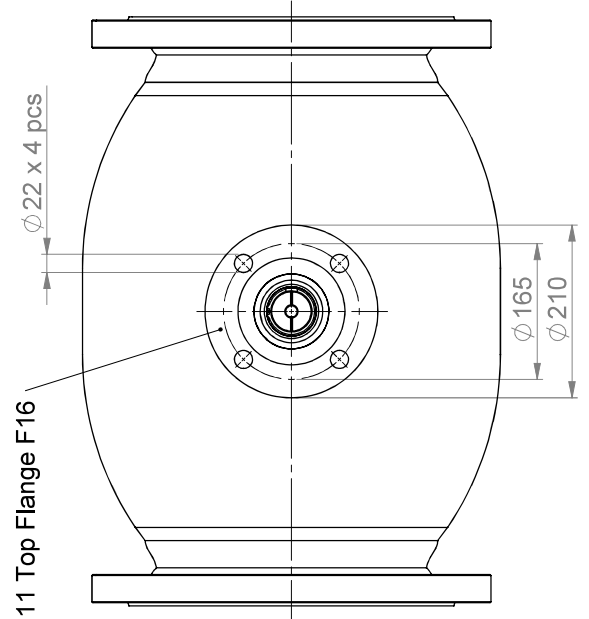



ISO 5211 Top Flange F16



Main dimension drawing for customer use	Weight	kg	Description	
			Steel ball valve DN300 F/F PN25 Full bore	
Drawn by	MAK	01.06.2017	Drawing number	153300-25-C
Approved by	SSi	01.06.2017	Product number	153300/25
			 www.vexve.com	