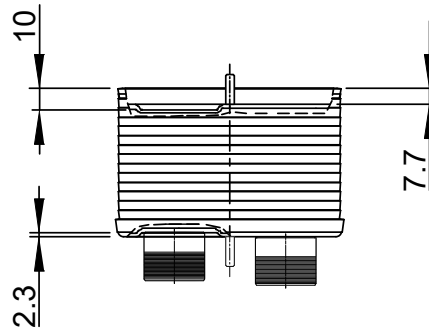
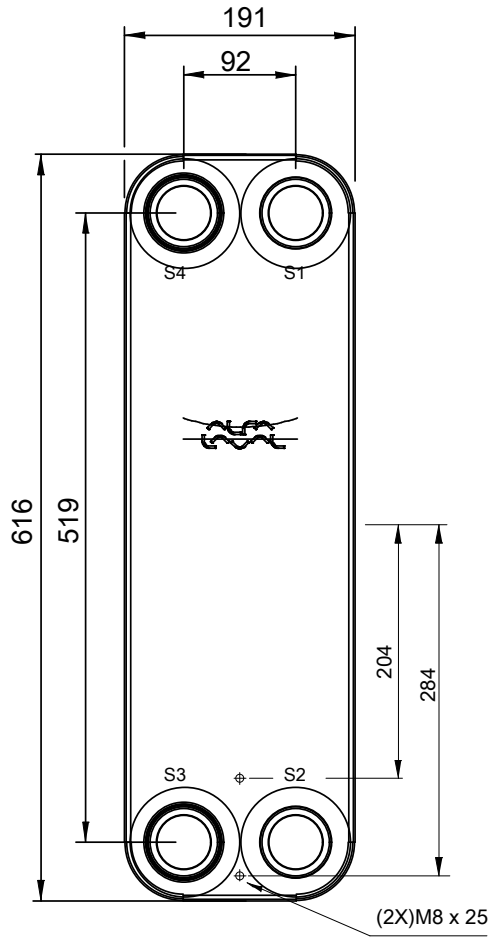
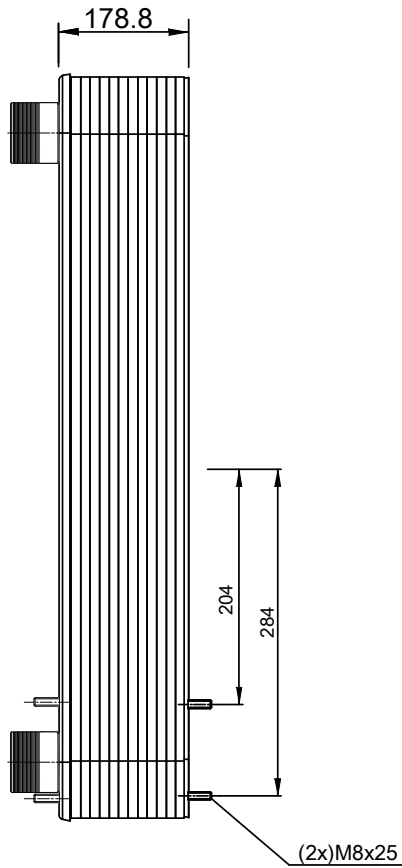
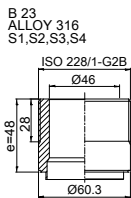


Note that all unique customer requirements (i.e tolerance) need to be verified thru Alfa Laval.



HEATING SURFACE m²
 NETWEIGHT 28.8 kg
 OPERATING WEIGHT kg
 PLATE MATERIAL ALLOY 316
 PLATE GROUPING 1*31H/1*32H

ALL DIMENSIONS IN MILLIMETERS

| SIDE | MEDIA | INLET | TEMP. °C | OUTLET | TEMP. °C | FLOW RATE | PRESSURE DROP | LIQUID VOL. |
|------|-------|-------|----------|--------|----------|-----------|---------------|---------------------|
| 1 | Water | S1 | °C | S2 | °C | kg/h | kPa | 6.7 dm ³ |
| 2 | Water | S3 | °C | S4 | °C | kg/h | kPa | 6.5 dm ³ |

PRESSURE VESSEL APPROVAL

PED

CB110-64H (3287101560)

www.alfalaval.com

CUSTOMER NAME / REF. NO.

TOTAL LENGTH 242 mm
 TOTAL WIDTH 191 mm
 TOTAL HEIGHT 616 mm

COMPANY / REF.
 Alfa Laval Nordic AB



4/23/2019
 REV 0