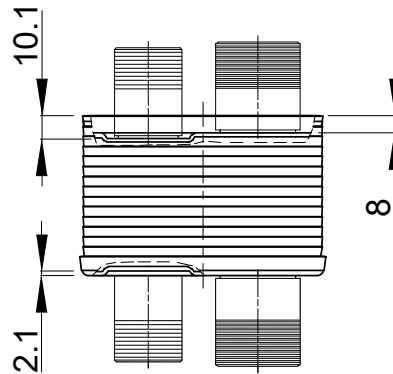
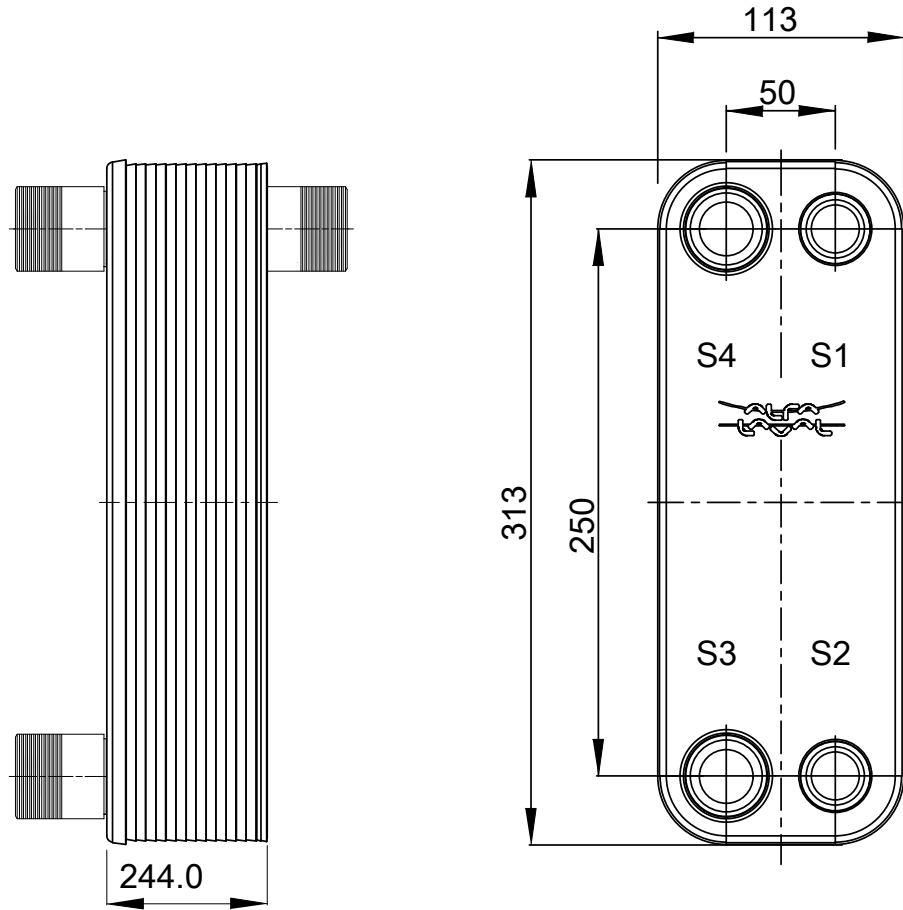
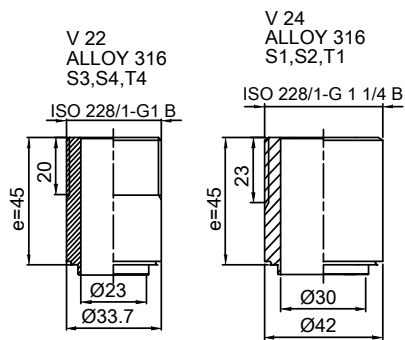


Note that all unique customer requirements (i.e tolerance) need to be verified thru Alfa Laval.



HEATING SURFACE m<sup>2</sup>  
 NETWEIGHT 13.4 kg  
 OPERATING WEIGHT kg  
 PLATE MATERIAL ALLOY 316  
 PLATE GROUPING 1\*25H+1\*24H/2\*25H

T1 T2 T3 T4 locations on back side correspond to S1 S2 S3 S4 on front side

ALL DIMENSIONS IN MILLIMETERS

SIDE	MEDIA	INLET	TEMP.	OUTLET	TEMP.	FLOW RATE	PRESSURE DROP	LIQUID VOL.
1	Water	S1	°C	T1	°C	kg/h	kPa	2.7 dm <sup>3</sup>
2	Water	T4	°C	S4	°C	kg/h	kPa	2.7 dm <sup>3</sup>

PRESSURE VESSEL APPROVAL

PED

CB30-100H (3287084066)

www.alfalaval.com

CUSTOMER NAME / REF. NO.

TOTAL LENGTH 326 mm  
 TOTAL WIDTH 113 mm  
 TOTAL HEIGHT 313 mm

COMPANY / REF.  
 Alfa Laval Nordic AB



4/23/2019  
 REV 0