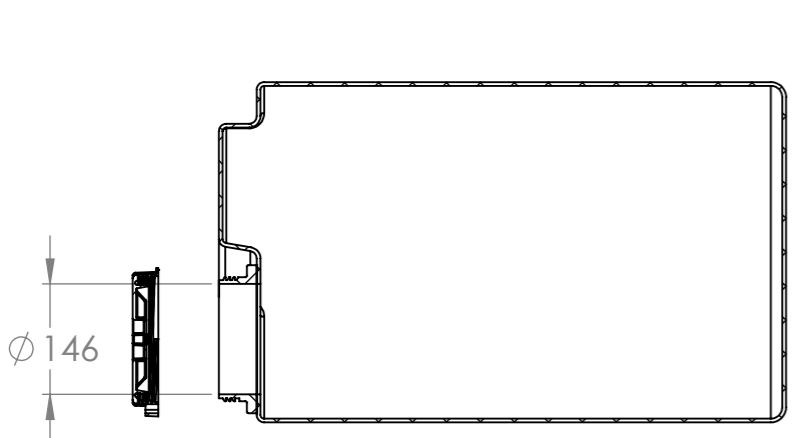
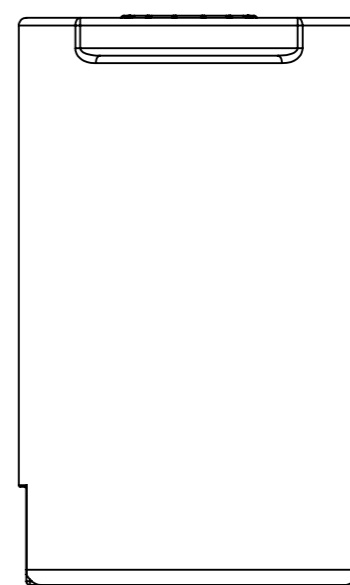
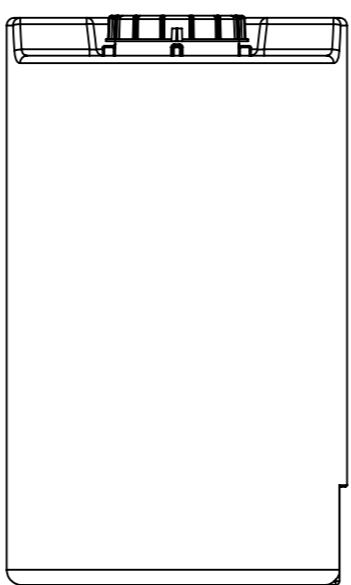
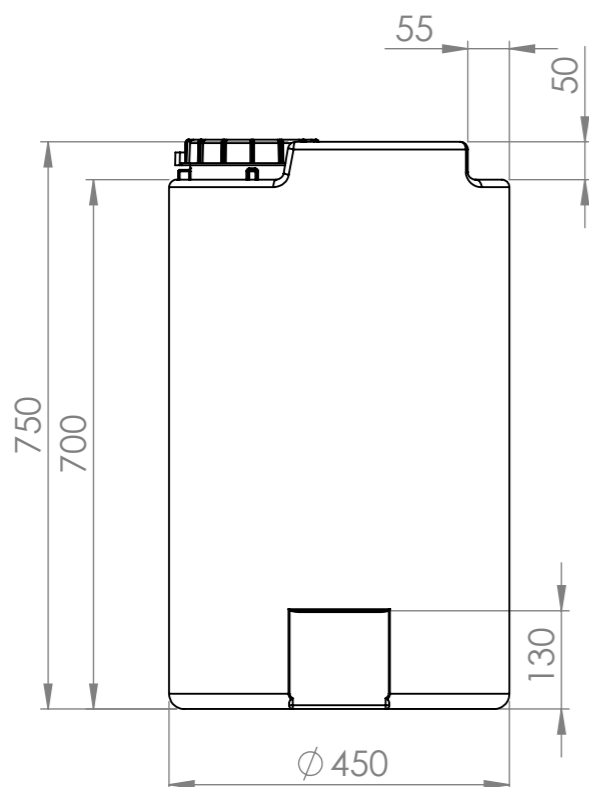
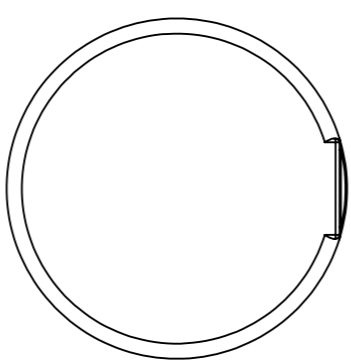
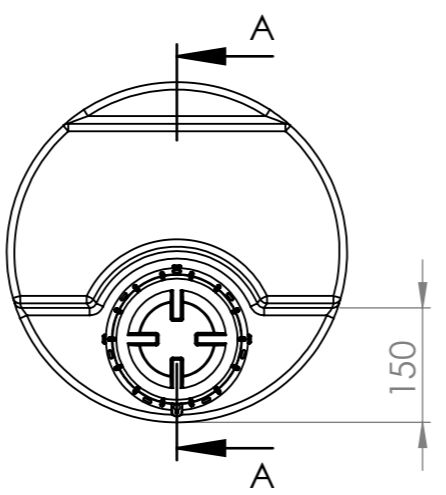


REVISIONS				
ZONE	REV.	DESCRIPTION	DATE	APPROVED
	A	New template and drawing number	10.08.2020	KFL



SECTION A-A



Generelle toleranser om ikke annet er oppgitt på tegning	Tilatte avvik for måleområde. Gjelder ved +20°C				
General tolerances if not other stated on drawing	Permissible deviations for basic length size range. Valid +20°C				
	0-20	>20-75	>75-150	>150-300	>300
	±0,5mm	±1mm	±1,5mm	±1,3%	±1%

Constructed by - date	Evaluated by	Approved by - date	General Tolerances	LDPE	Finish, Ra	View	Scale
GEP 10.08.2020			NS-ISO 2768-1			⊕	1:10
Owner		Titel/Description		Revision		Sheet size	
CIPAX		10101 CPX Container 100L cyl		A		A3	
		Drawing number		Sheet			
		1296 - 312		1(1)			