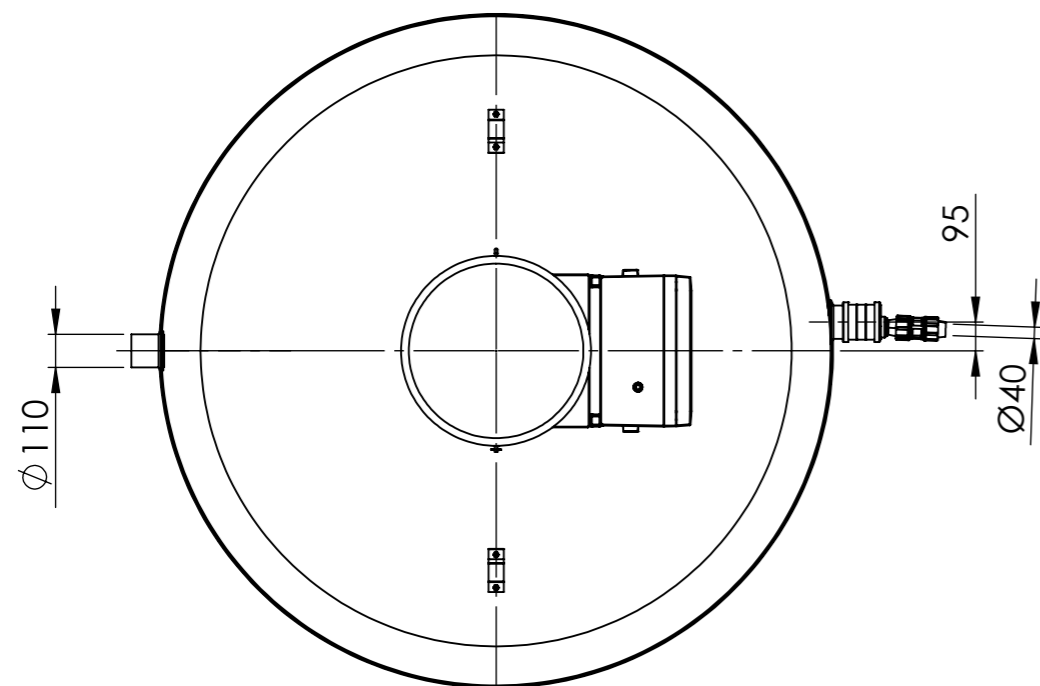
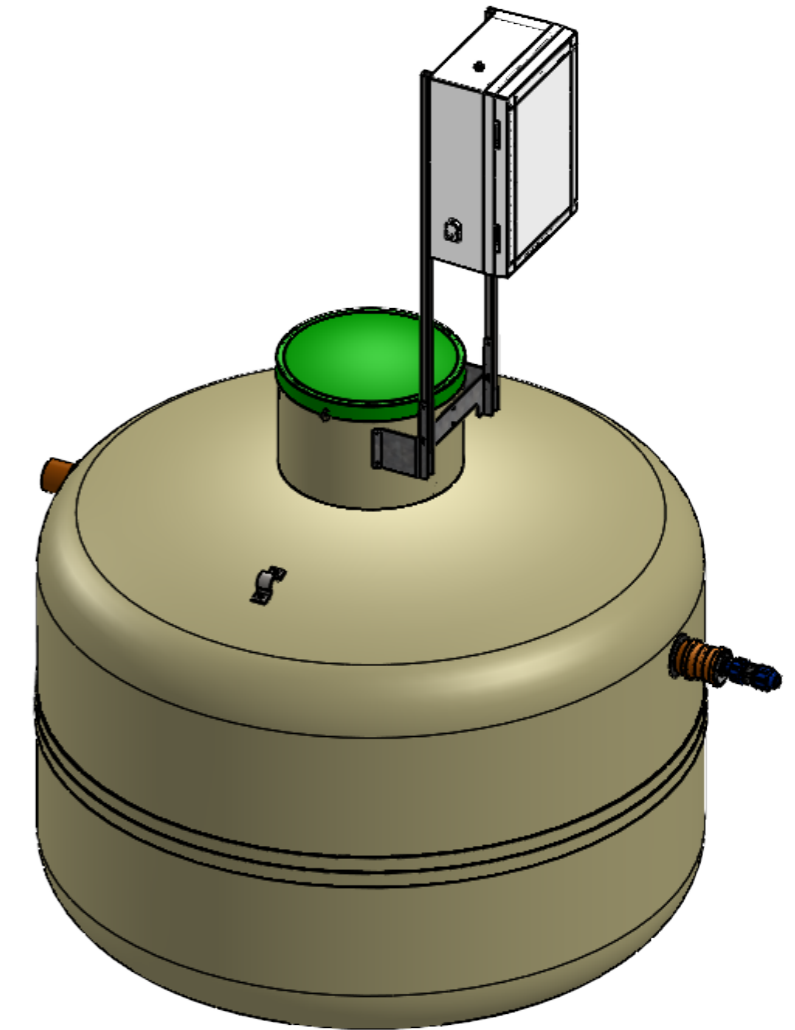
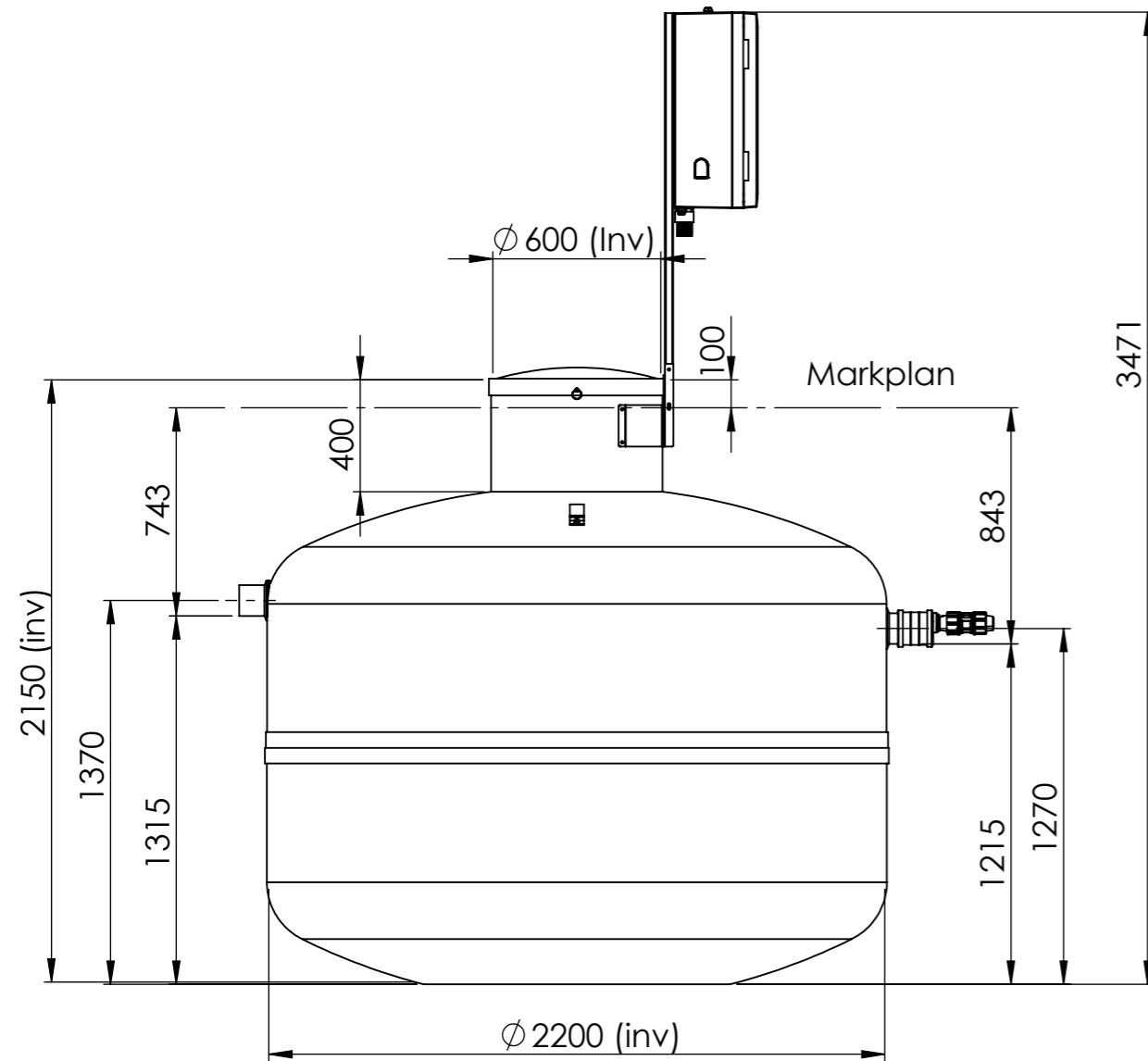


REVISIONS				
ZONE	REV.	DESCRIPTION	DATE	APPROVED
	00	First release	2022-04-05	JCA
	01	ECN	2026-03-27	JCA



Note
Original no EAL2-0003-C

General tolerances SS-ISO 2768-V	Drawn by JCN	Draw date 2022-03-22	Checked by SBE	Checked date 2022-04-04	Weight (kg) -	RSK no 566 1899	VPI no 200222
		Description BAGA Easy 2 hh $\varnothing 2200 \times 2150$				Scale 1:25	Size A3
<small>Kingspan Water & Energy reserve the right to alter the details of this drawing without prior notice. This drawing is copyright and may not be reproduced or used without the written permission of Kingspan Water & Energy.</small>							Drawing number DS1021706
						Revision 01	Sheet 1 (1)