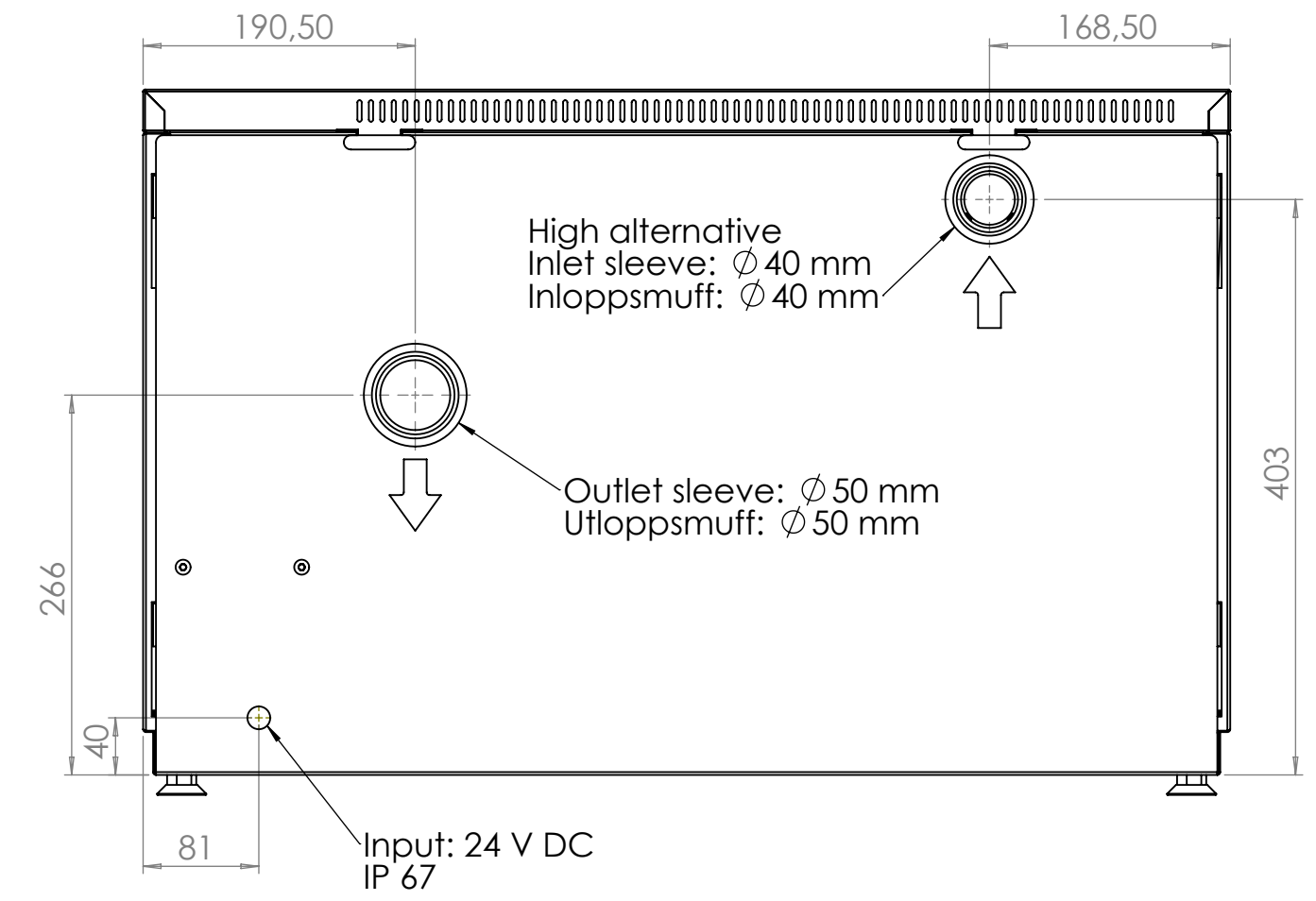
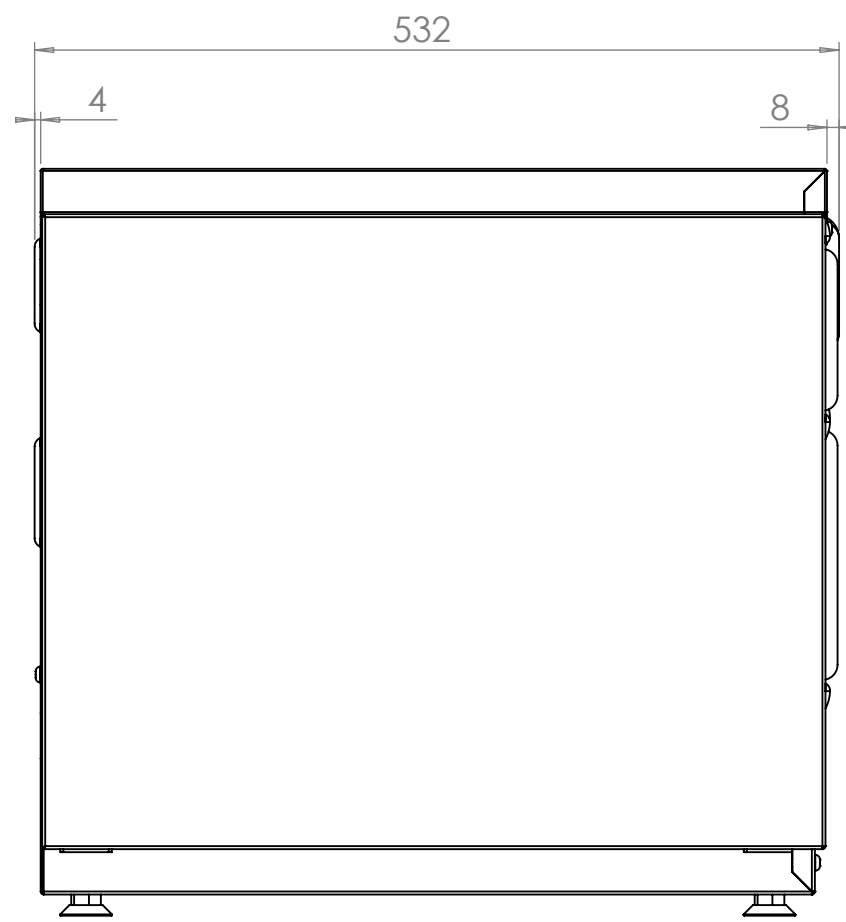


Adjustable from 14 to 114 mm  
Justerbar från 14 till 114 mm



UNLESS OTHERWISE SPECIFIED: DIMENSIONS ARE IN MILLIMETERS SURFACE FINISH: TOLERANCES: LINEAR: ANGULAR:				FINISH:	DEBUR AND BREAK SHARP EDGES	DO NOT SCALE DRAWING	REVISION
DRAWN	NAME	SIGNATURE	DATE			<b>RSK: 5643841</b> <b>THOR</b> Fettavskiljaren.se / Greasedefender.se	
CHKD	JF						
APPVD							
MFG							
Q.A							
				MATERIAL: ASI 316	DWG NO. 30100 install	A2	
				WEIGHT:	SCALE:1:5	SHEET 1 OF 1	