

8

7

6

5

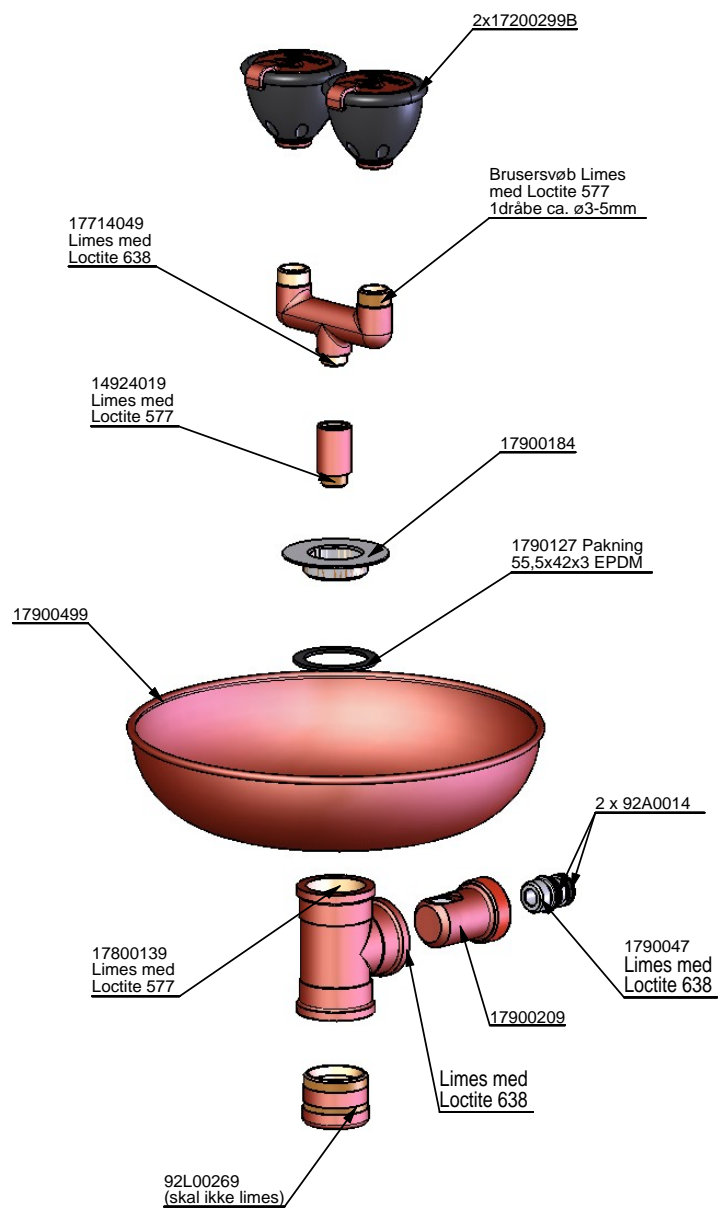
4

3

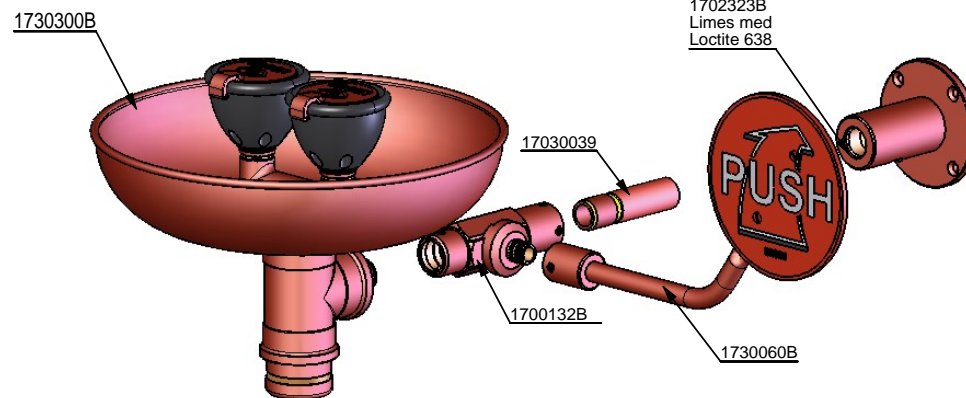
2




1

1730300B



17928009



Material: [None]					Rev.	JFA	08-01-09	5823	1790127 moved into 1790049
Specification:					Made by:		Date:	TM No.:	Change:
All dimensions made with  are inspection dimensions					Description: Wall mounted eye wash				
Unspecified linear tolerances:					Unspecified angular tolerances:				
Comments:					Part: Emergency shower				
					Media: Water				
					Drawing type: Assembly drawing				
					Weight: 3,259 Kg.				
					This drawing is our property and cannot be given to a third party, copied or otherwise used without our permission. BROEN A/S.				
Form: 2-100-2 / Rev 2									
					Drawing No.: 17928009				

8

7

6

5

4

3

2

1