

D

C

B

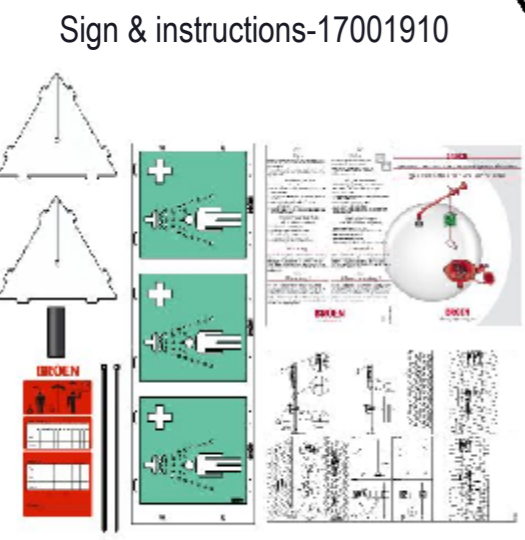
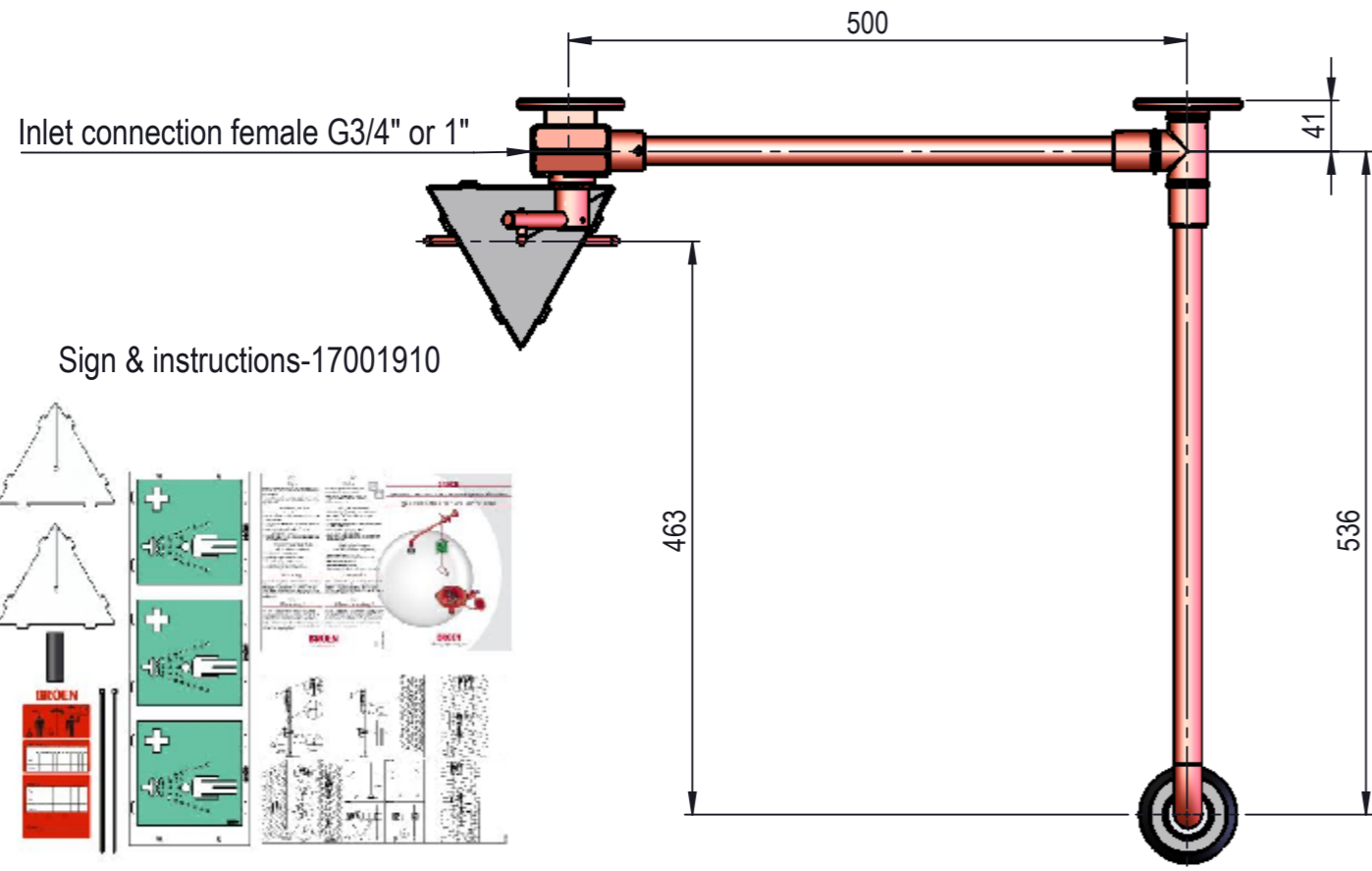
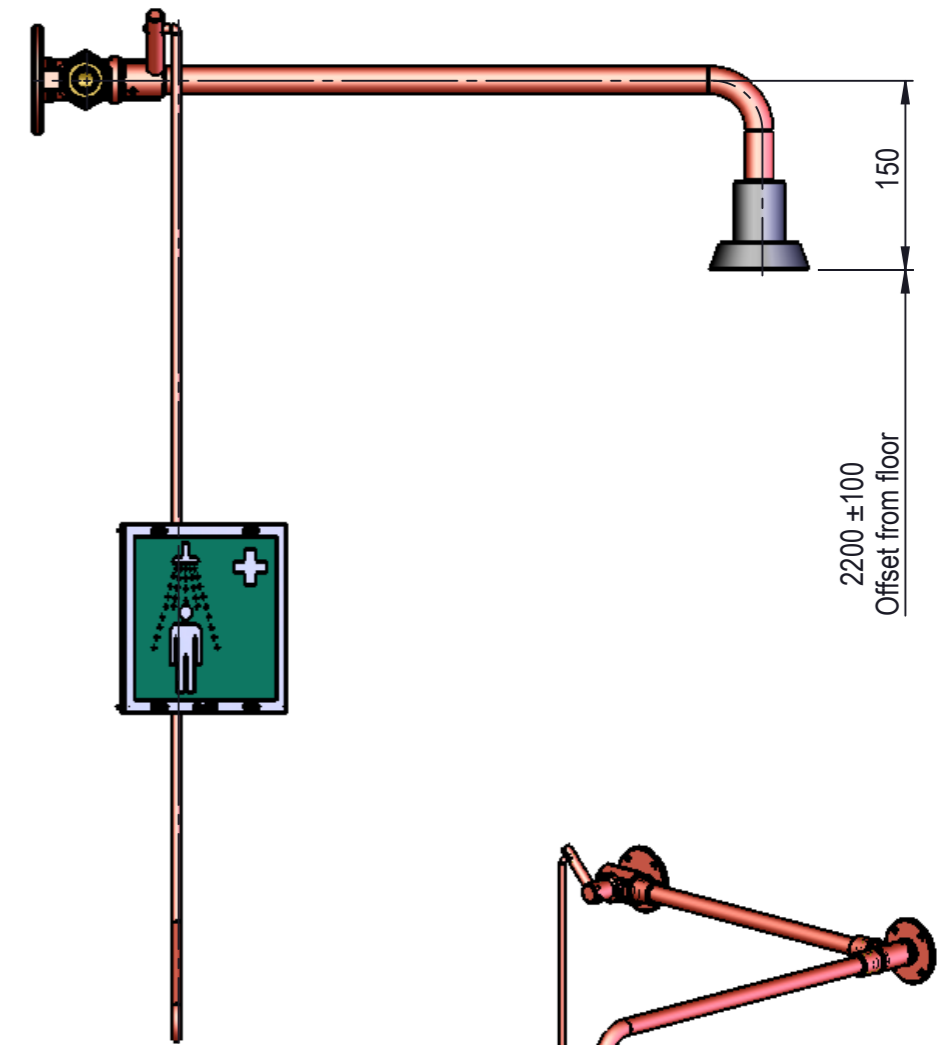
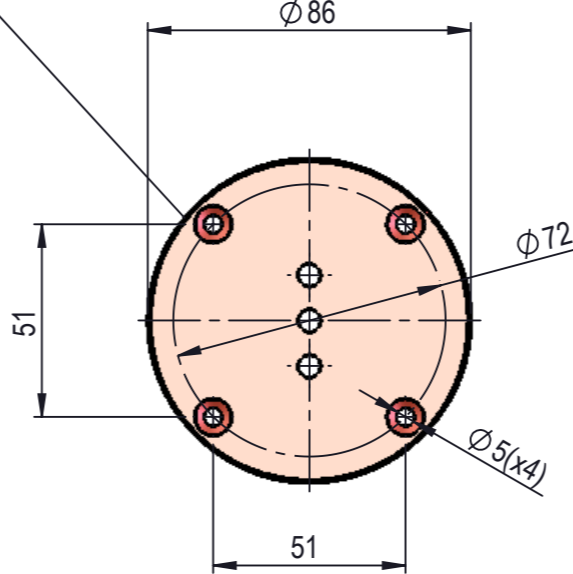
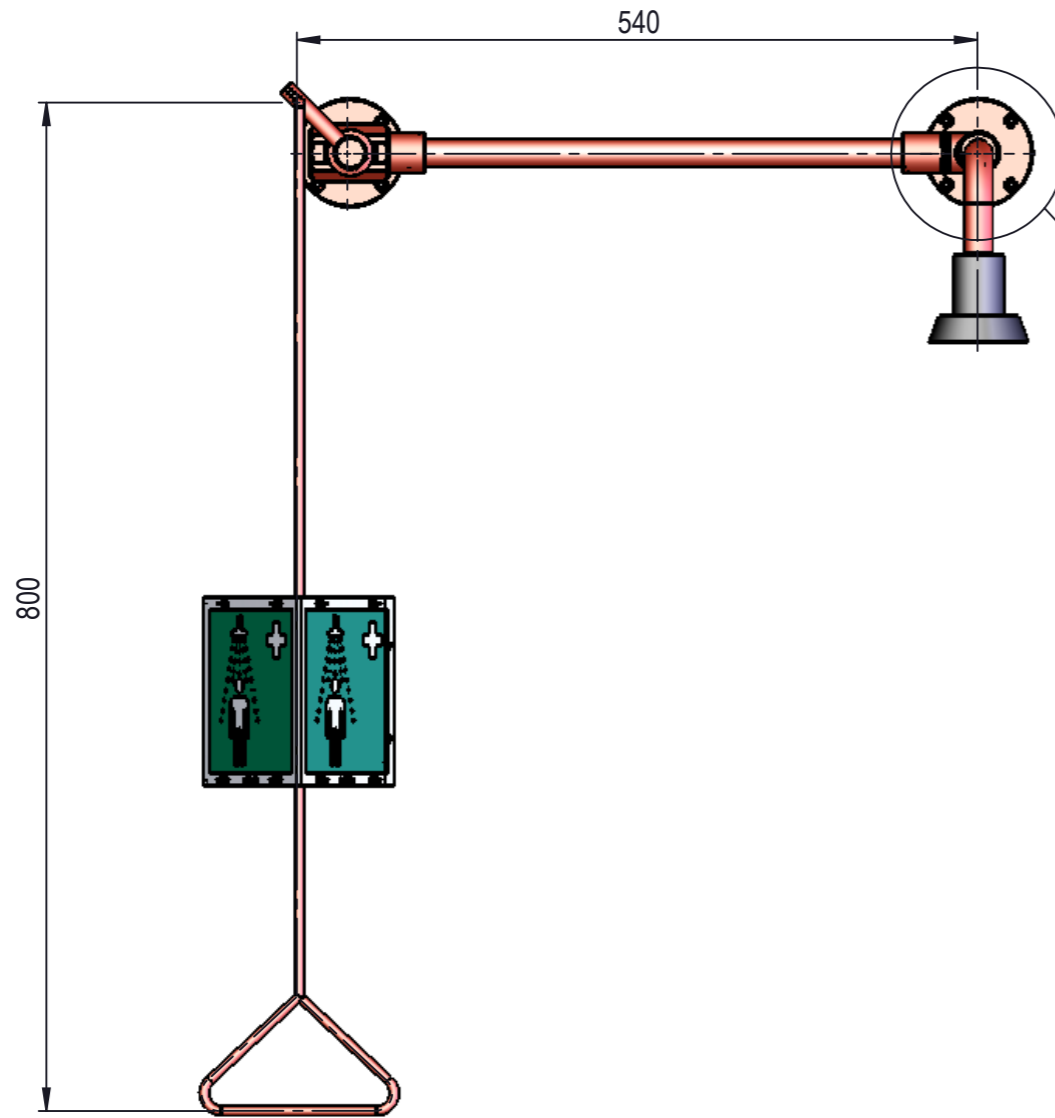
A

D

C

B

A



Description:		Exposed pipework body shower	
Media:		Water	
Material:			
Specification:			
Comments:			
Drawing type:		Customer drawing	Weight: 3.304 Kg
All dimensions made with  are inspection dimensions			
Unspecified linear tolerances:		Unspecified angular tolerances:	
ISO2768-M		ISO2768-M	
Designed by:	Drawn by:	Released on TM No.:	Date:
KGA	MWA		08-09-2006
Format:	Drawing No.:		17087009C
A3			

Rev.	Pos.	Date	TM No.	Design by	Drawn by	Change:

This drawing is our property and cannot be given to a third party, copied or otherwise used without our permission. BROEN-LAB A/S