

Area of Application:  
 Body Shower, Wall mounted  
 Min. operation pressure: 1 Bar  
 Max. operation pressure: 10 Bar  
 Min. flow 60 l/min  
 Product temperature range 1°C-90°C  
 Operating water temperature range 15°C-37°C (ideal 20°C-25°C)

Details:  
 BROEN-LAB Polyester powder coated colour red 3289  
 Signs: Safety sign package Body Shower(17001910)

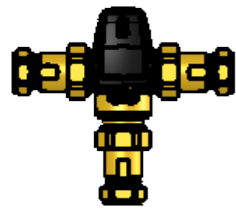
Design acc. EN15154-1 & EN15154-5 (Class 2 - 60 to 100 l/min)

Materials in media contact:  
 Main: Brass, Nickel plated brass, PTFE, Rubber EPDM, Silicone based lubricant  
 Body Shower head: PPO, PP, Rubber EPDM, Silicone based lubricant

Mounting:  
 Wall bracket Ø5,5 x 6 (60°) (See 94G0296)

Inlet / outlet connection:  
 Female ISO 228/1 - G<sup>3</sup>/<sub>4</sub>"  
 Body Shower Spray Head

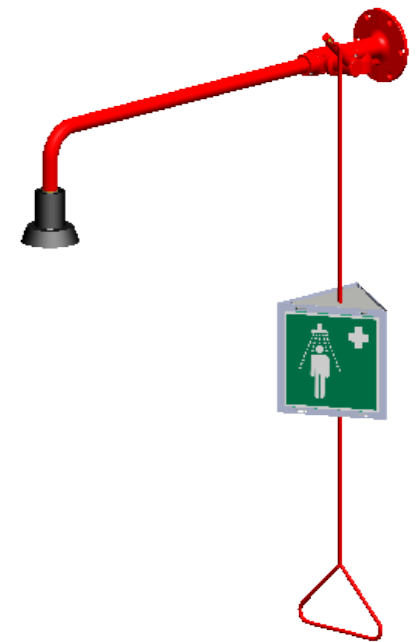
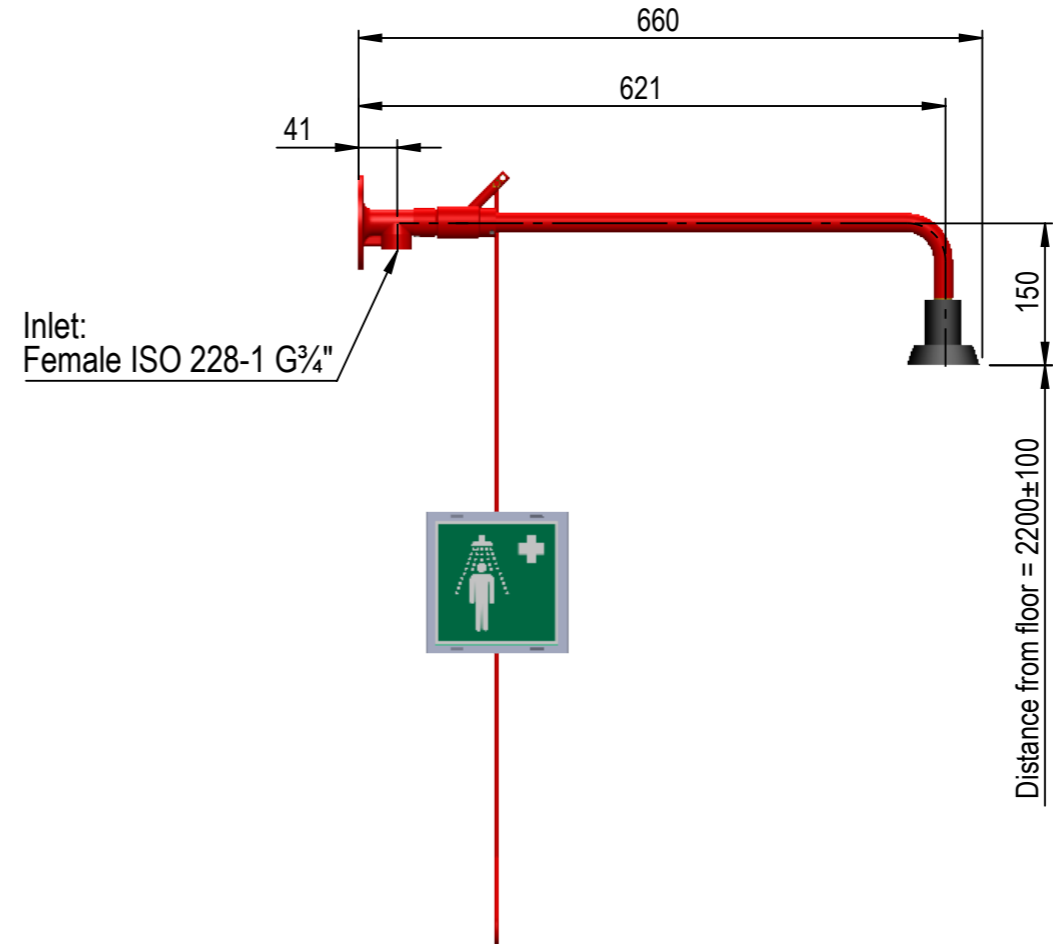
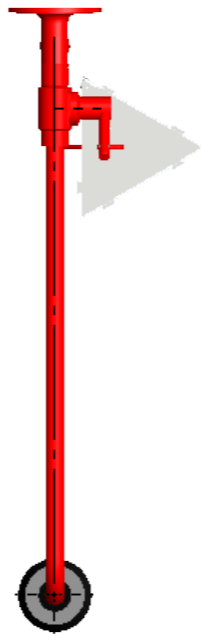
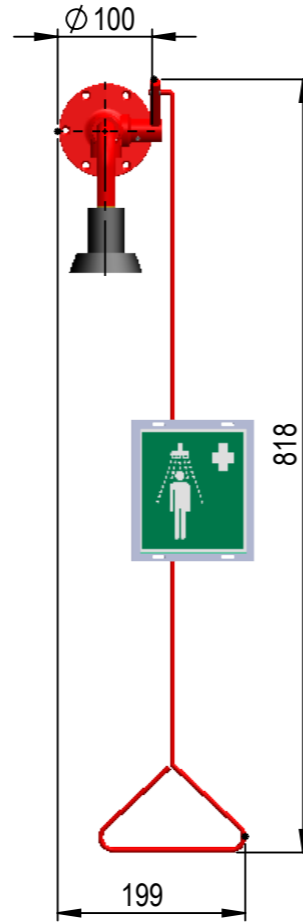
Thermostatic mixing valve  
 17512009



Cable for pull rod  
 1790164



Signs & Instructions:  
 17001920



Description: Body shower, Wall mounted, 60l-min, TMV										
							Media: Water			
							Comments:			
							Drawing type: Customer drawing		Weight: 2.563 Kg	
Rev.	Pos.	Date	TM No.	Design by	Drawn by:	Change:	Designed by: NSC	Drawn by: VEF	Released on TM No. 10650	Date (DD-MM-YY): 03-03-26
<b>BROEN-LAB</b>							Format: A3		Drawing No.: 27231071021061	
This drawing is our property and cannot be given to a third party, copied or otherwise used without our permission. BROEN-LAB A/S.										