

Area of Application:  
 Body Shower, Wall mounted above door  
 Min. operation pressure: 1 Bar  
 Max. operation pressure: 10 Bar  
 Min. flow 60 l/min  
 Product temperature range 1°C-90°C  
 Operating water temperature range 15°C-37°C (ideal 20°C-25°C)

Details:  
 BROEN-LAB Polyester powder coated colour red 3289  
 Signs: Safety sign package Body Shower(17001910)

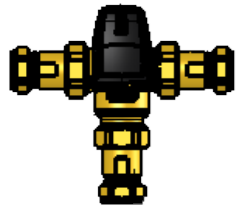
Design acc. EN15154-1 & EN15154-5 (Class 2 - 60 to 100 l/min)

Materials in media contact:  
 Main: Brass, Nickel plated brass, PTFE, Rubber EPDM, Silicone based lubricant  
 Body Shower head: PPO, PP, Rubber EPDM, Silicone based lubricant

Mounting:  
 Wall bracket Ø5,5 x 6 (60°) (See 94G0296)

Inlet / outlet connection:  
 Female ISO 228/1 - G<sup>3</sup>/<sub>4</sub>"  
 Body Shower Spray Head

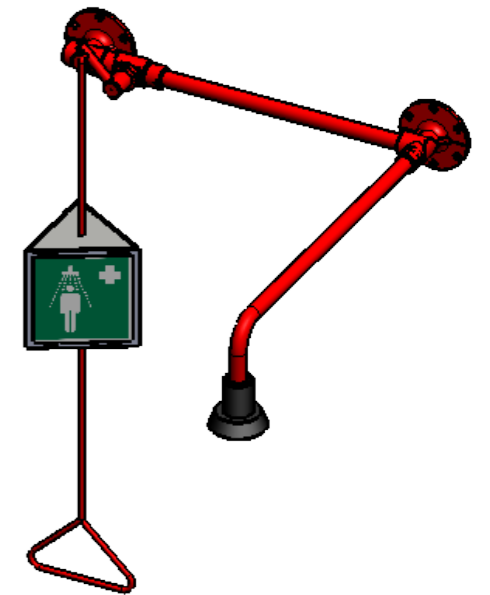
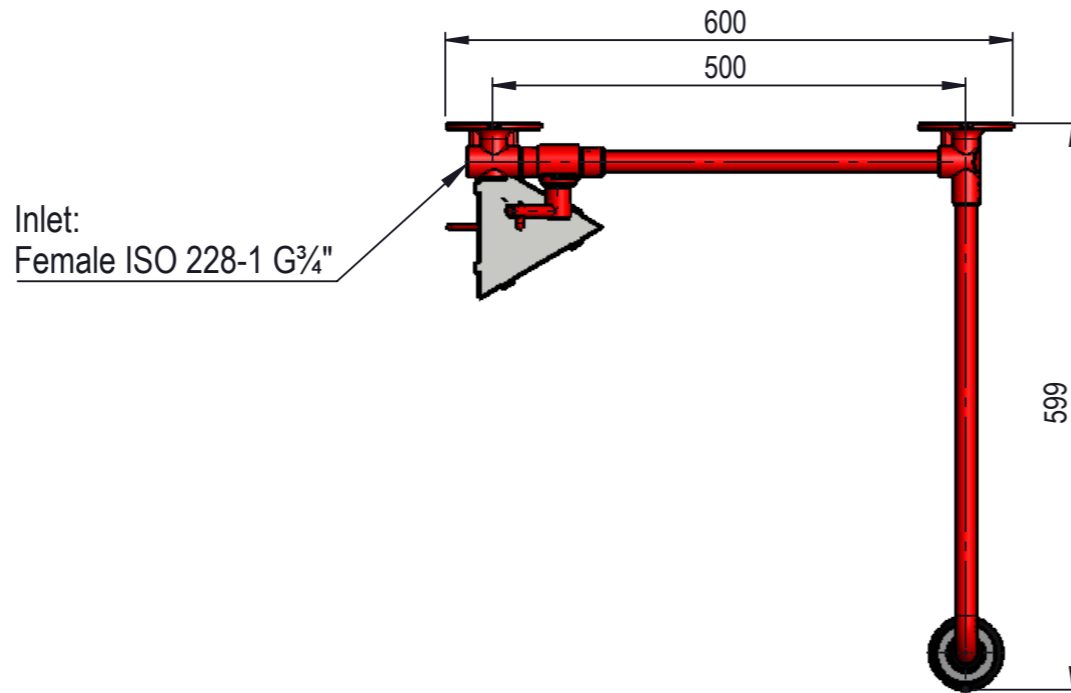
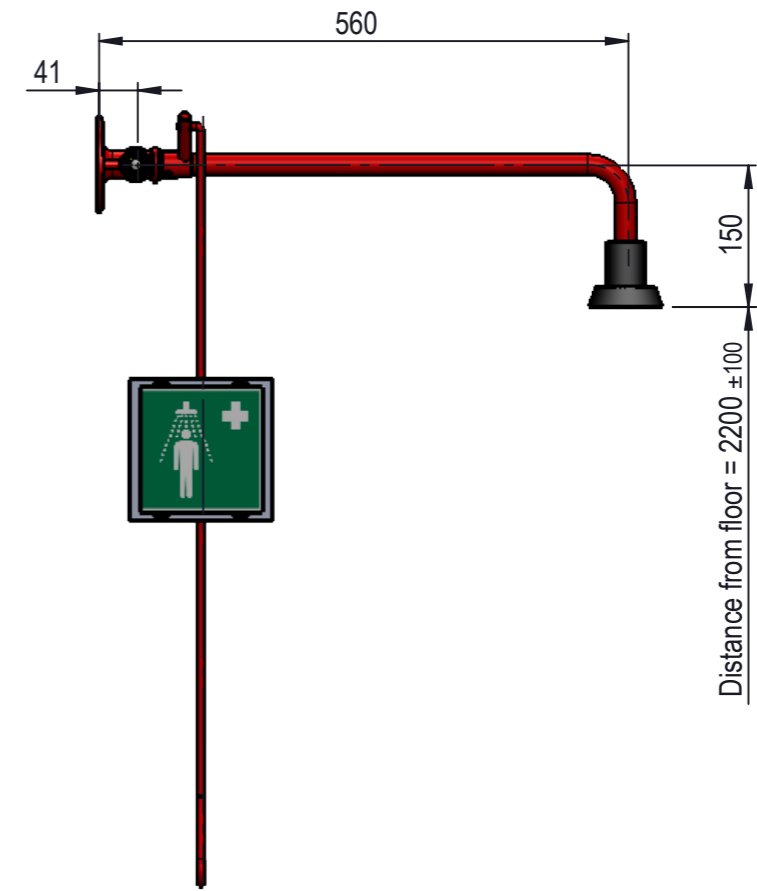
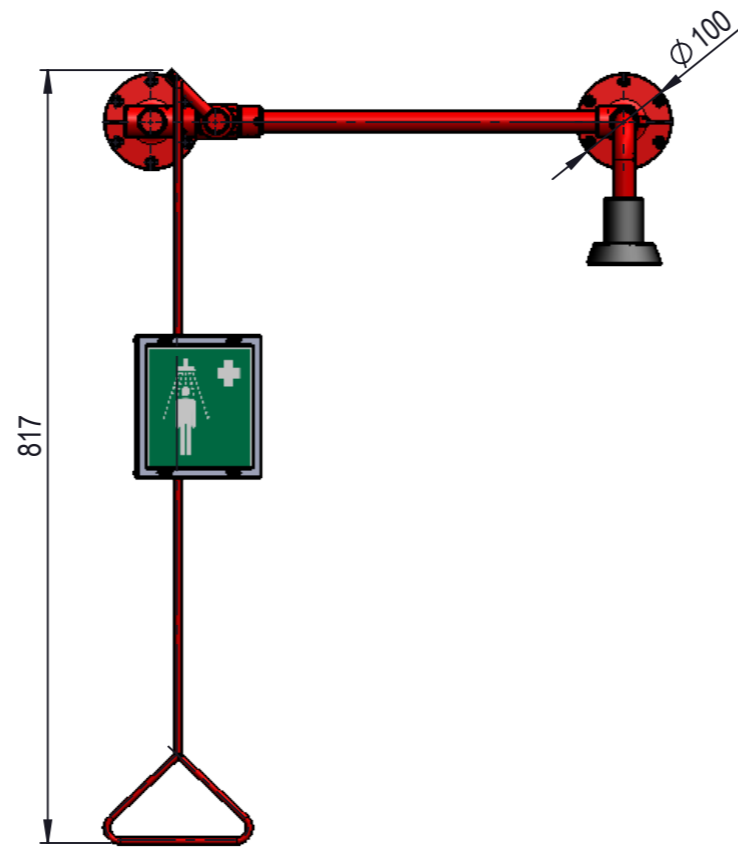
Thermostatic mixing valve  
 17512009



Cable for pull rod  
 1790164



Signs & Instructions:  
 17001910



Description: Body shower, wall mounted over door, exposed piping, 60l-min, TMV

						Media: Water	
						Comments:	
						Drawing type: Customer drawing	
						Weight: 3.964 Kg	
Rev.	Pos.	Date	TM No.	Design by	Drawn by	Change:	Designed by: NSC
							Drawn by: VEF
						Released on TM No.: 10650	
						Date (DD-MM-YY): 03-03-26	
						Format: A3	
						Drawing No.: 27241031021061	

**BROEN-LAB**

This drawing is our property and cannot be given to a third party, copied or otherwise used without our permission. BROEN-LAB A/S.