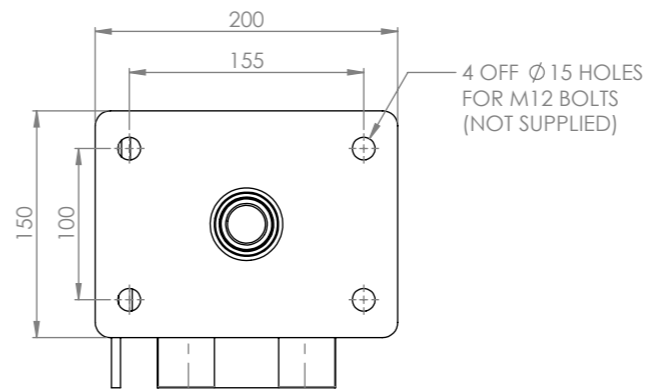
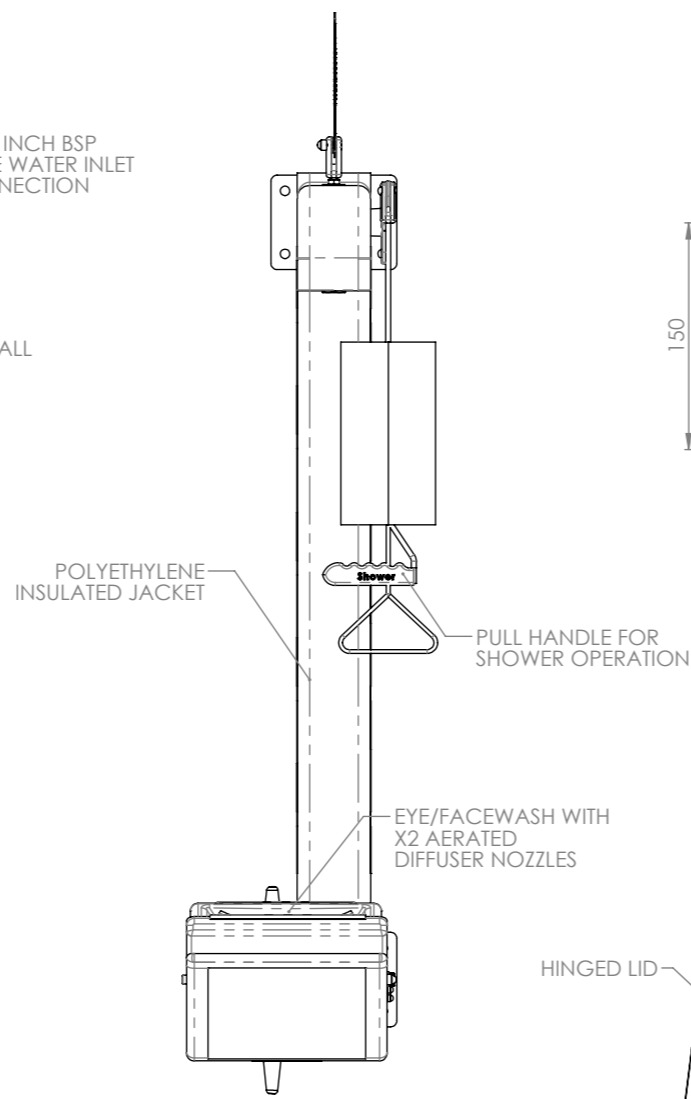
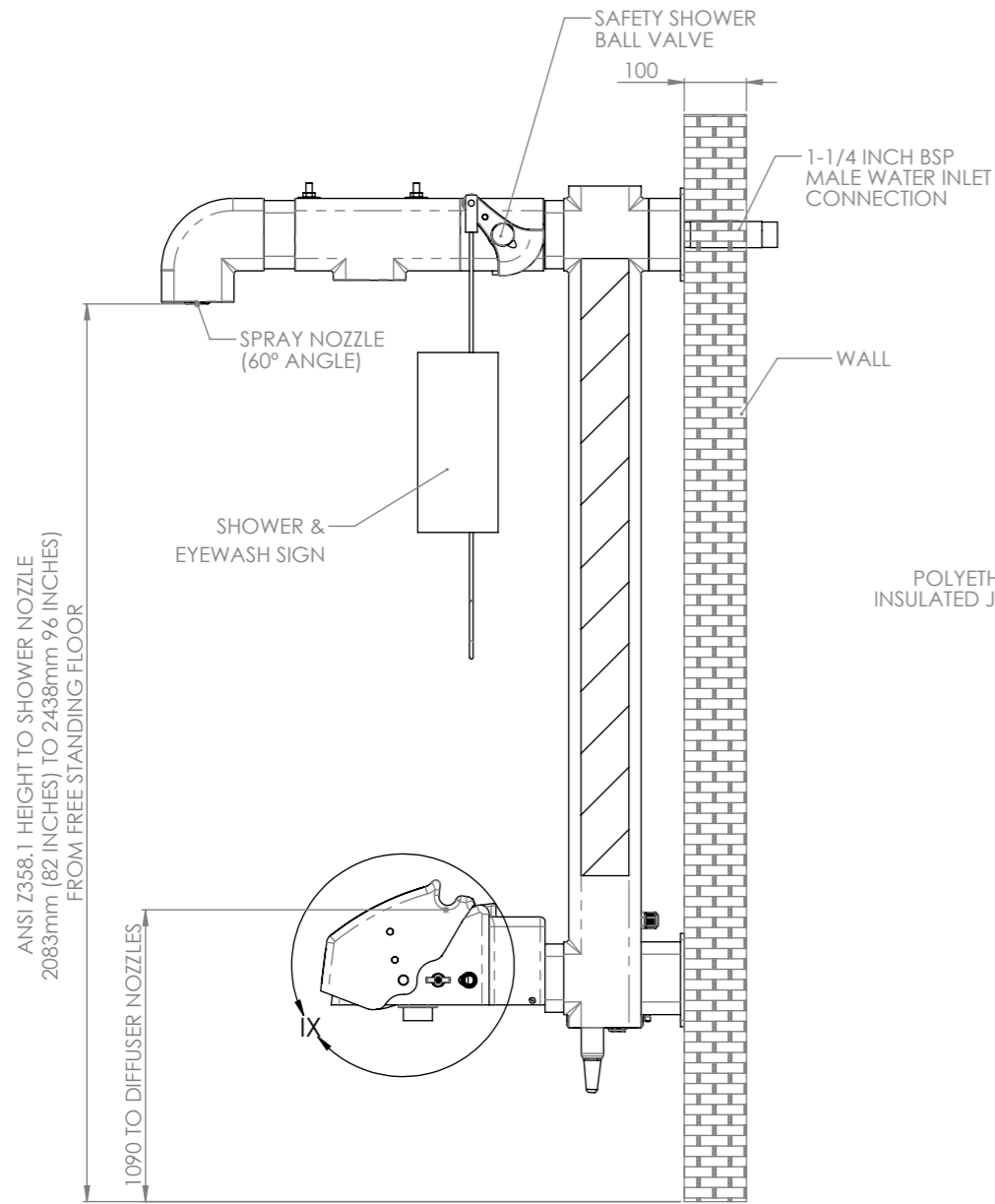
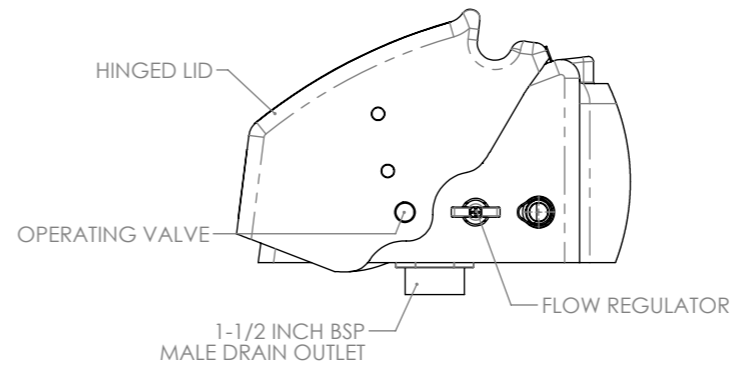


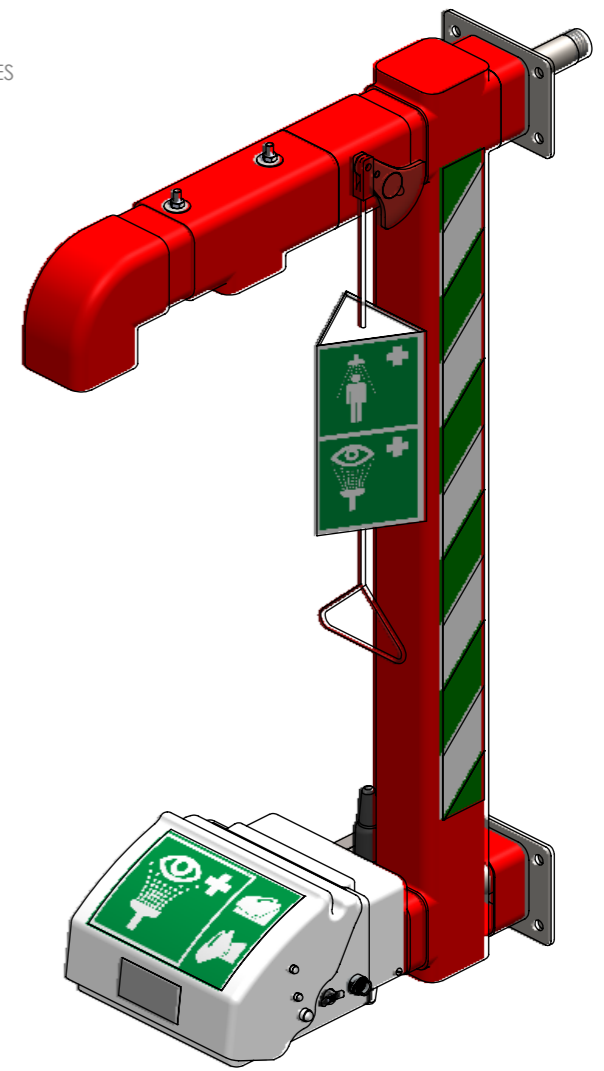
PROJECTION



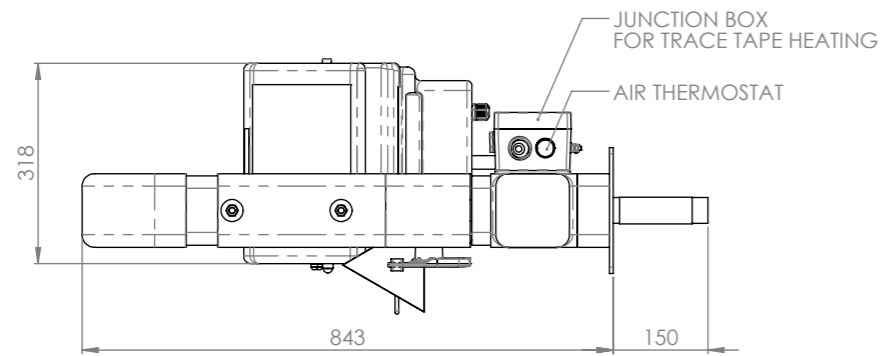
WALL MOUNTING DETAIL  
TYP 2 PLACES



DETAIL IX  
SCALE 1 : 6



ISOMETRIC VIEW



REV	DRAWN	REASON	ECN #	CHECKED	APPROVED	DATE
A	ADM	1st Release	1st Rel	AV	AV	18/02/2021

**BROEN-LAB**

NAME	DATE	DEBUR AND BREAK SHARP EDGES
DRAWN: AV	14/03/2024	DIMENSIONS ARE IN MILLIMETRES UNLESS SPECIFIED OTHERWISE
CHECKED: AV	18/02/2021	
APPROVED: AV	18/02/2021	TOLERANCES LINEAR: ±10mm > 1000mm / ±5mm < 1000mm ANGULAR: ±0.5°
MATERIAL: STAINLESS STEEL		SCALE: 1:12 @ A3
DO NOT SCALE OFF DRAWING		

TITLE: <b>EXP-AH-5GS/45G - WALL MOUNTED</b>		REVISION <b>A</b>
FINISH: NATURAL	SHEET 1 OF 1	DWG NO. <b>H7430011000221</b>
		<b>A3</b>