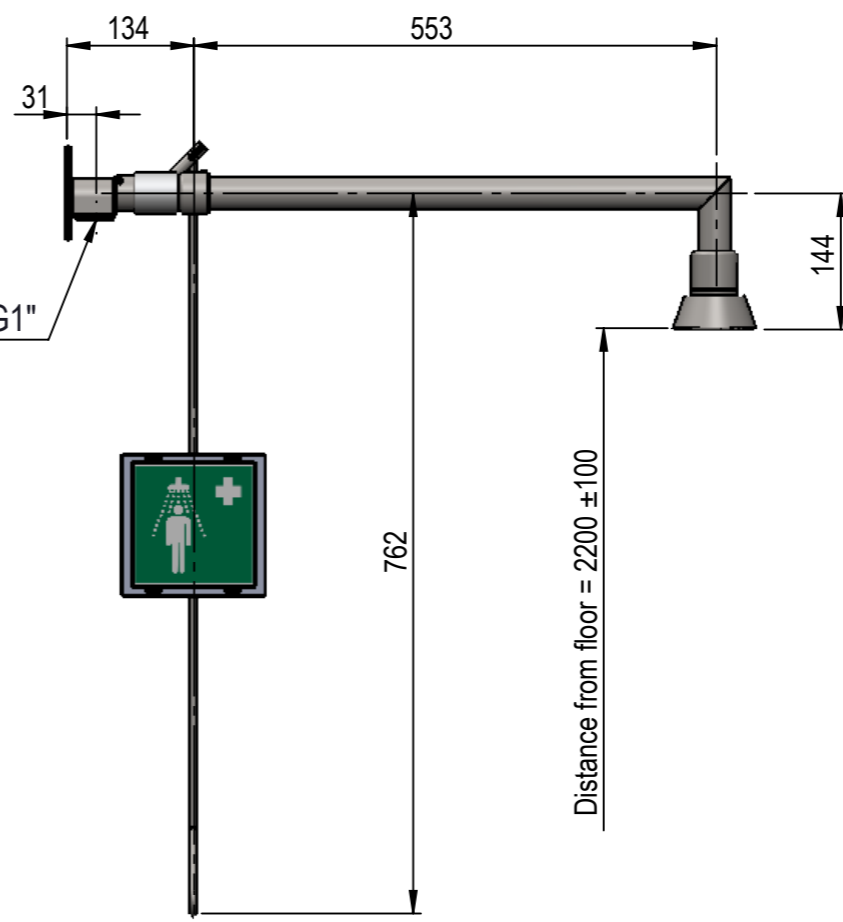
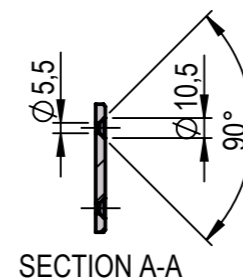
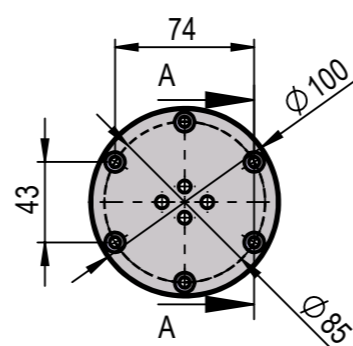
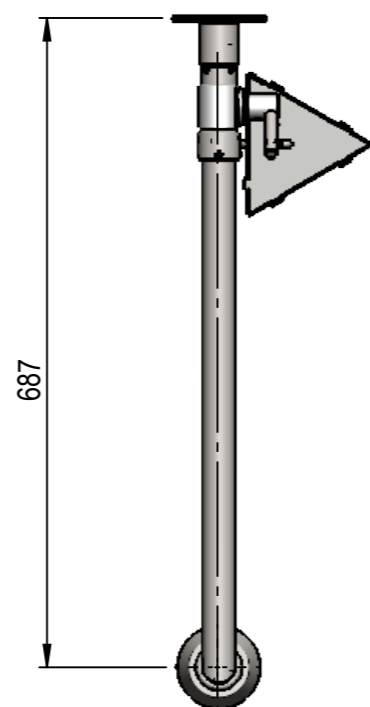
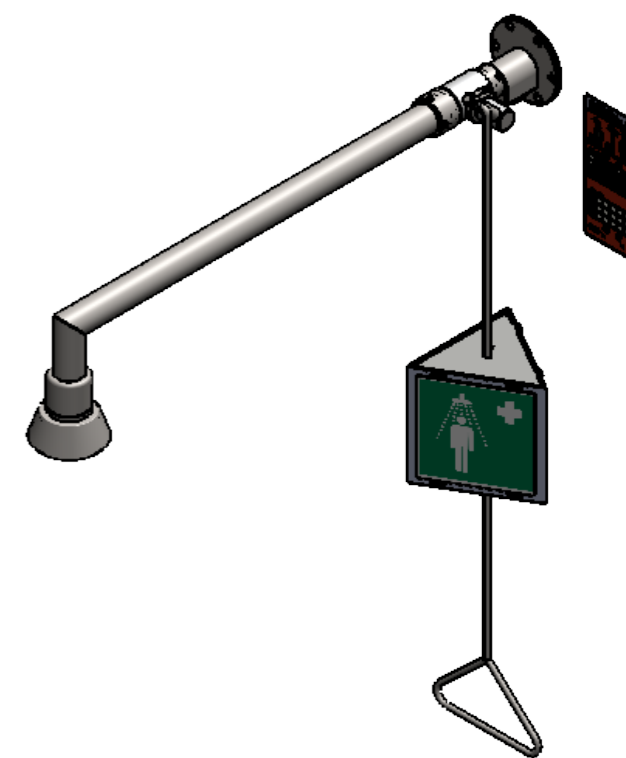


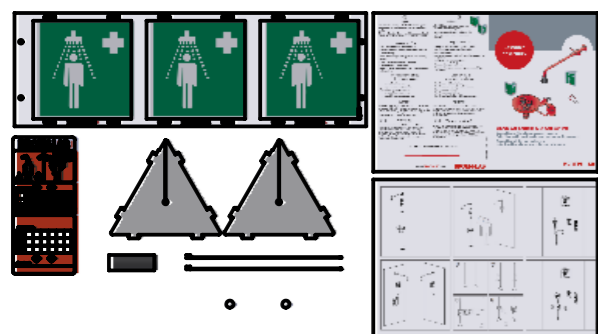
Inlet:
Female ISO 228/1 G1"



Distance from floor = 2200 ± 100



Signs & Instruction: 17001910



Description: , , Body shower; wall, 316SS, Modular, ,											
								Media: Water			
Comments:											
Drawing type: Customer drawing								Weight: 4.106 Kg			
Rev.	Pos.	Date	TM No.	Design by	Drawn by:	Change:	Designed by: LBH	Drawn by: PEC	Released on TM No.	Date (DD-MM-YY): 11-11-24	
BROEN-LAB							Format: A3		Drawing No.: 28233011021000		
This drawing is our property and cannot be given to a third party, copied or otherwise used without our permission. BROEN-LAB A/S.											