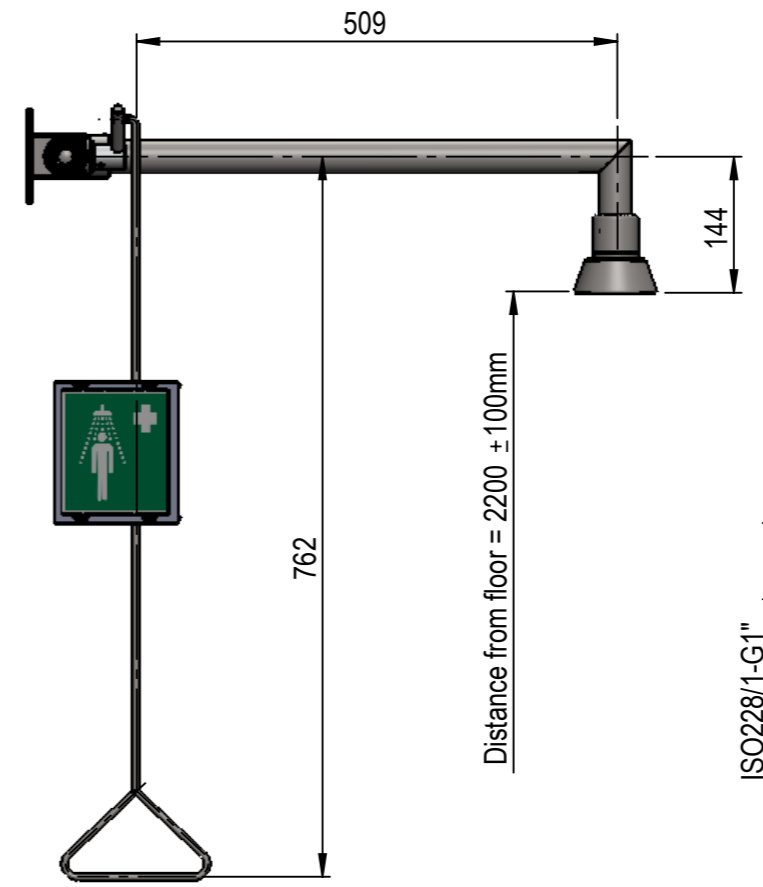
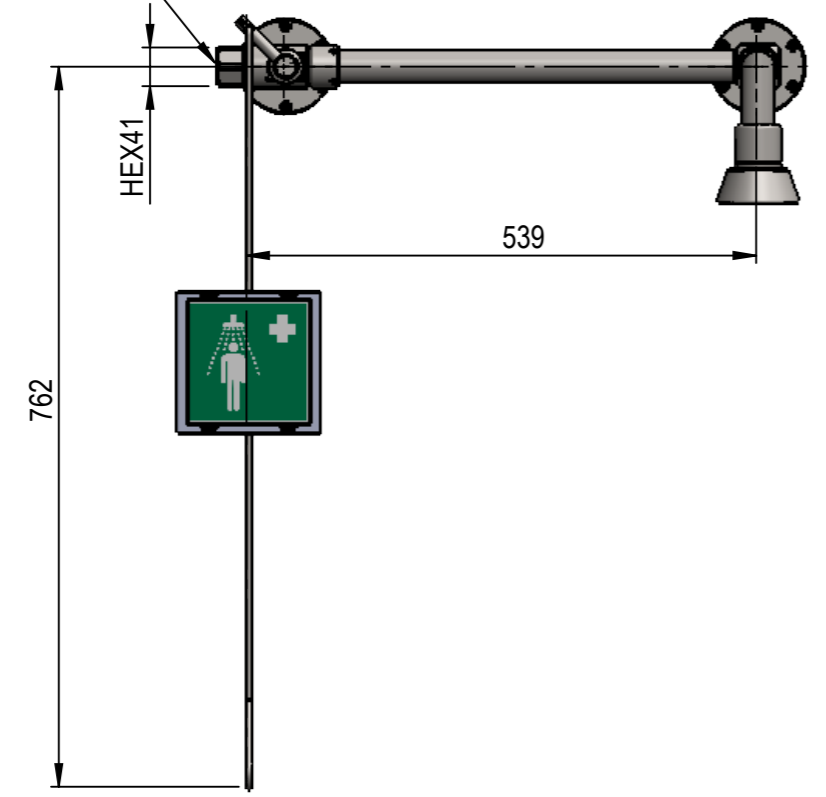
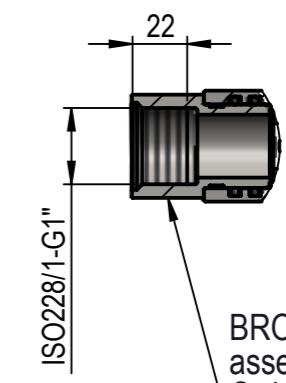


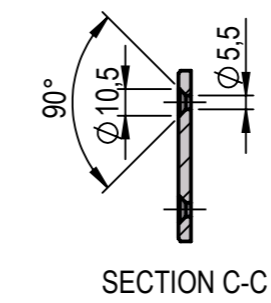
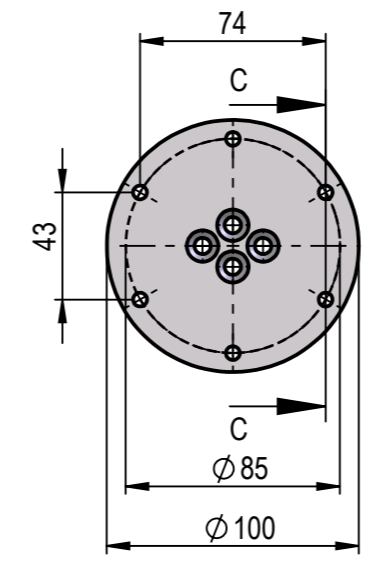
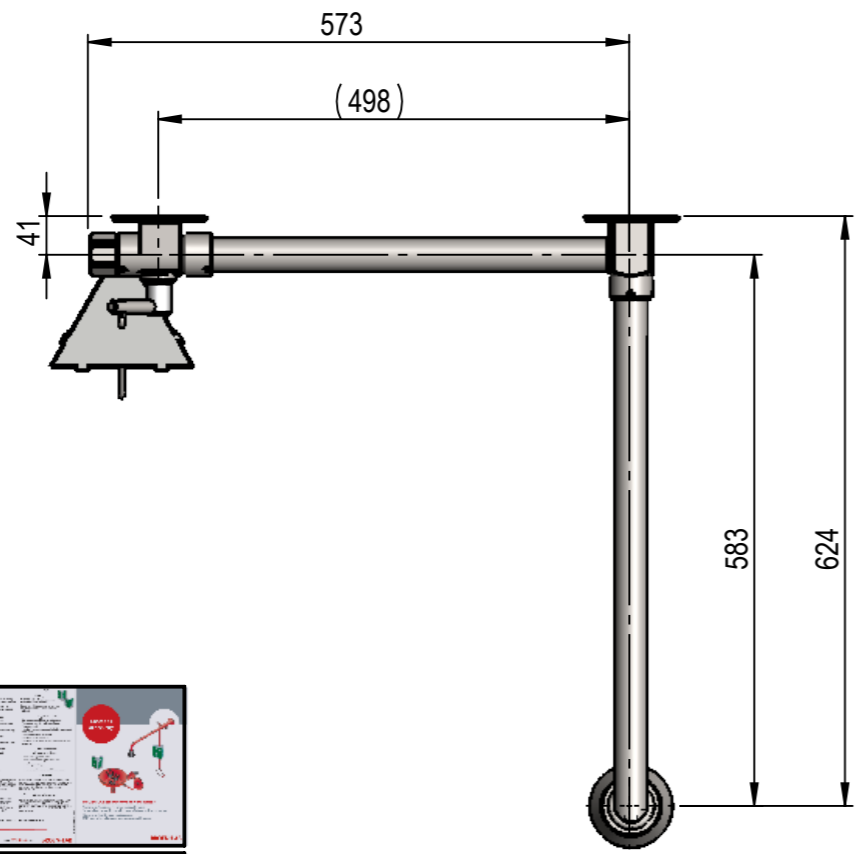
Inlet:  
Female ISO228/1-G1"



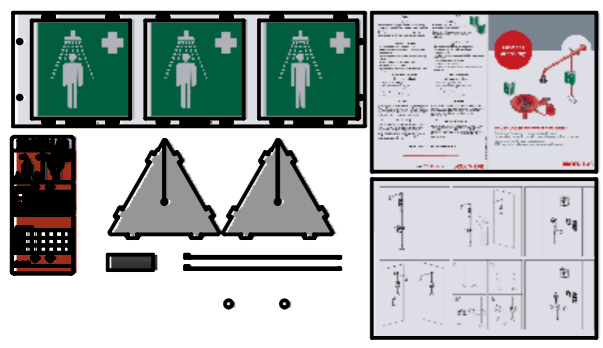
Distance from floor = 2200 ±100mm



BROEN-LAB Ø33,3 quick assembly nipple with double O-ring sealing in the valve



Signs & instruction: 17001910



Description: , , Body shower, over door, 316SS, Modular, ,										
								Media: Water		
								Comments: Stainless steel AISI316L, EN 1.4404		
						Drawing type: Customer drawing		Weight: 6.400 Kg		
Rev.	Pos.	Date	TM No.	Design by	Drawn by:	Change:	Designed by: LBH	Drawn by: PEC	Released on TM No.	Date (DD-MM-YY): 11-11-24
<b>BROEN-LAB</b>							This drawing is our property and cannot be given to a third party, copied or otherwise used without our permission. BROEN-LAB A/S.		Format: A3	
							Drawing No.:		28243011021000	