

8 7 6 5 4 3 2 1

D

C

B

A

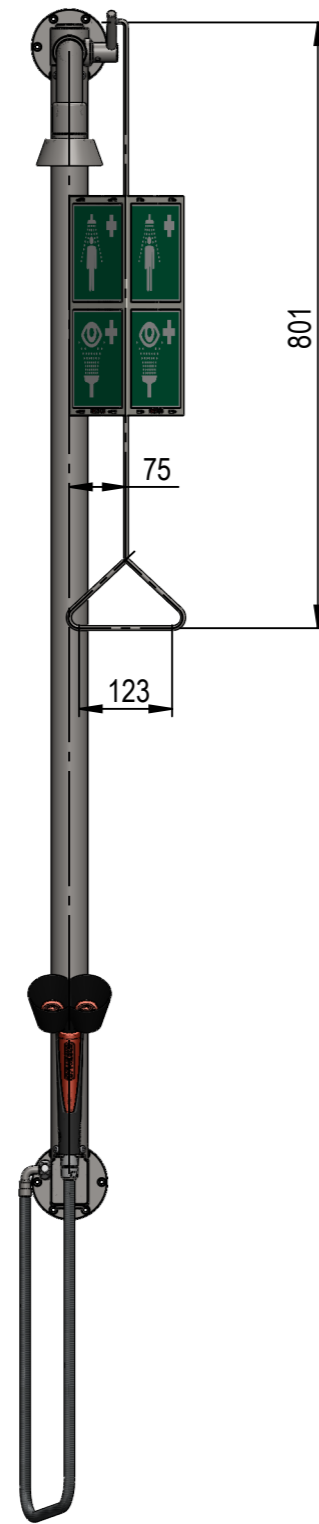
D

C

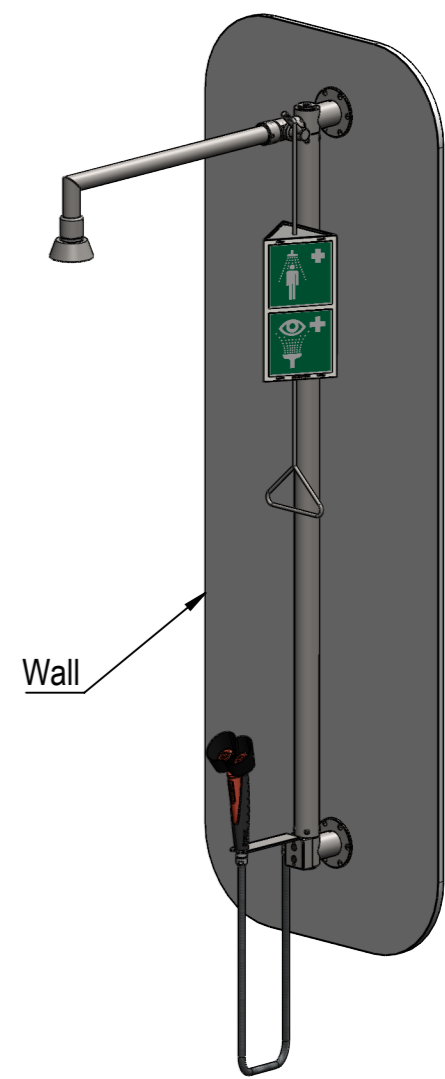
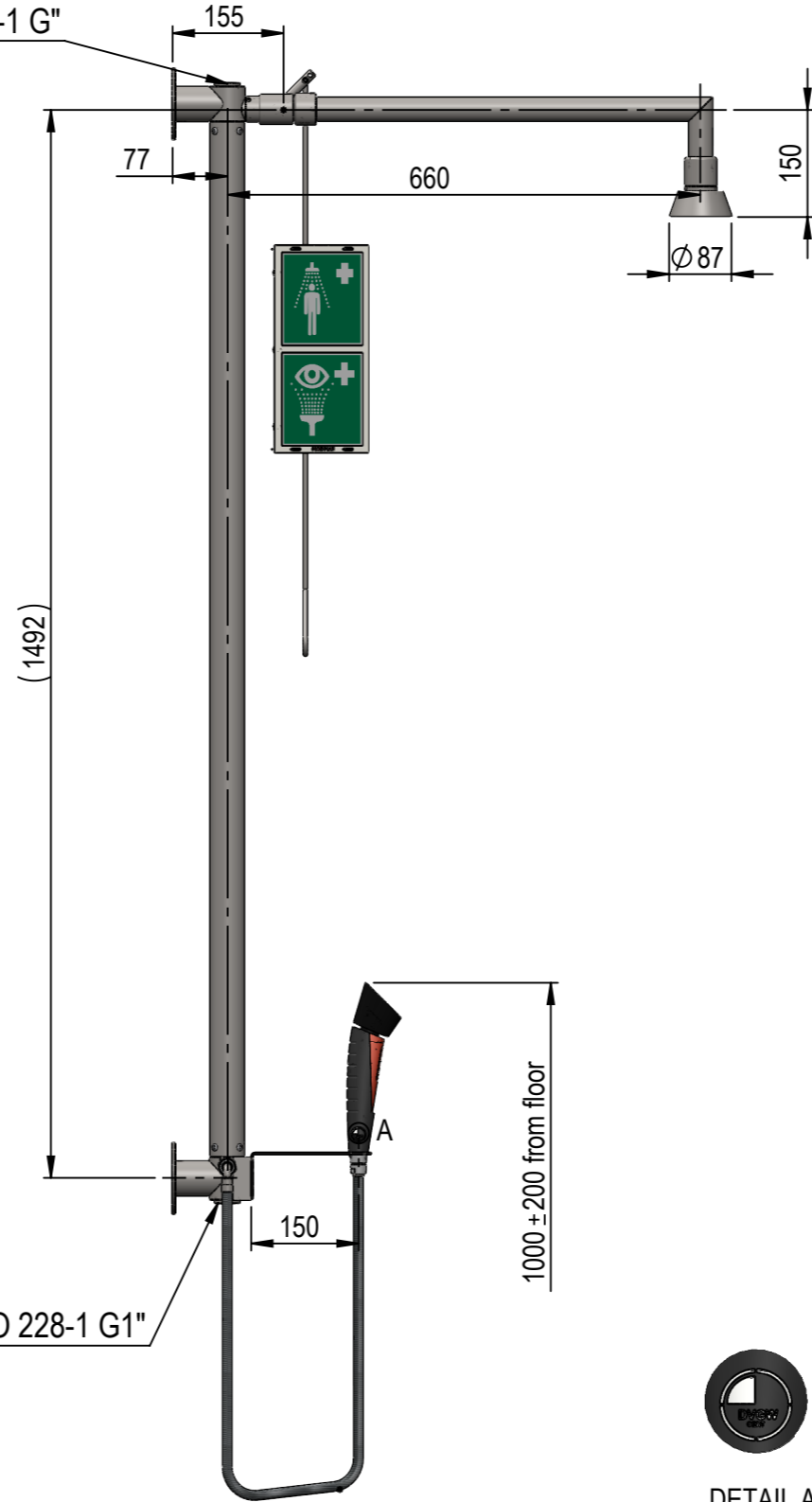
B

A

Inlet:
Female ISO 228-1 G"



Inlet:
Female ISO 228-1 G1"

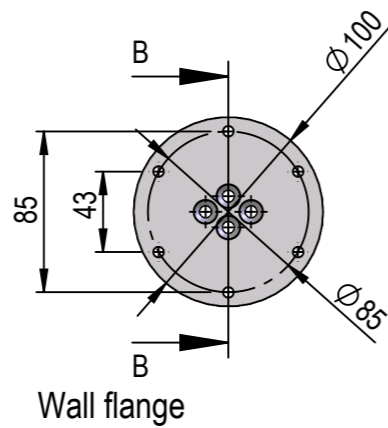
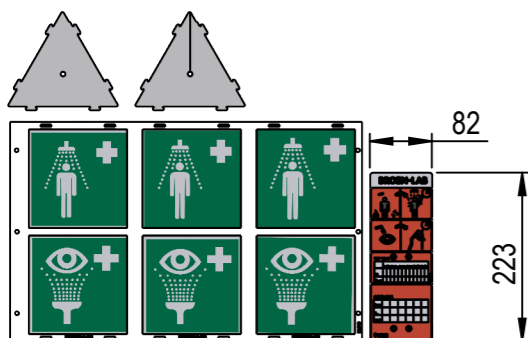


Wall

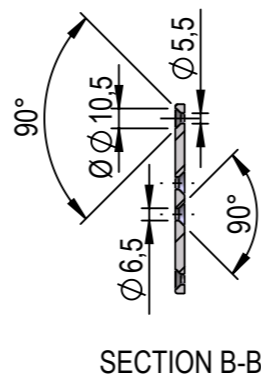


DETAIL A

Signs & Instruction: 17001920



Wall flange



SECTION B-B

Description: SS Combi shower, wall mounted, SS bracket

						Media: Water				
						Comments: 316L Stainless Steel				
						Drawing type: Customer drawing				
						Weight: 12.602 Kg				
Rev.	Pos.	Date	TM No.	Design by	Drawn by:	Change:	Designed by: PEC	Drawn by: PEC	Released on TM No.	Date (DD-MM-YY): 03-10-24
						Format: A3		Drawing No.: 28433011021000C		

BROEN-LAB

This drawing is our property and cannot be given to a third party, copied or otherwise used without our permission. BROEN-LAB A/S.

8 7 6 5 4 3 2 1