

8

7

6

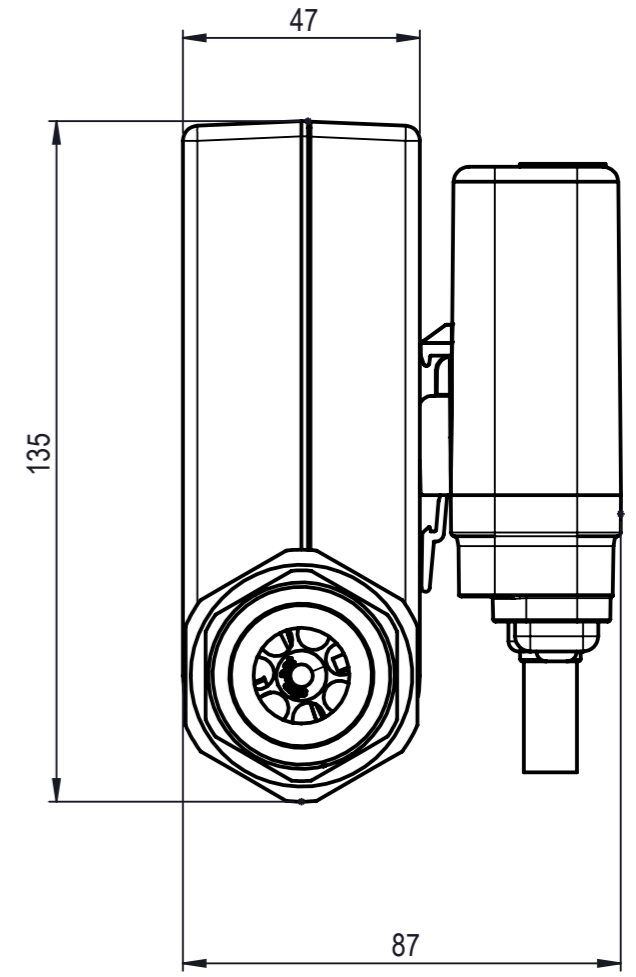
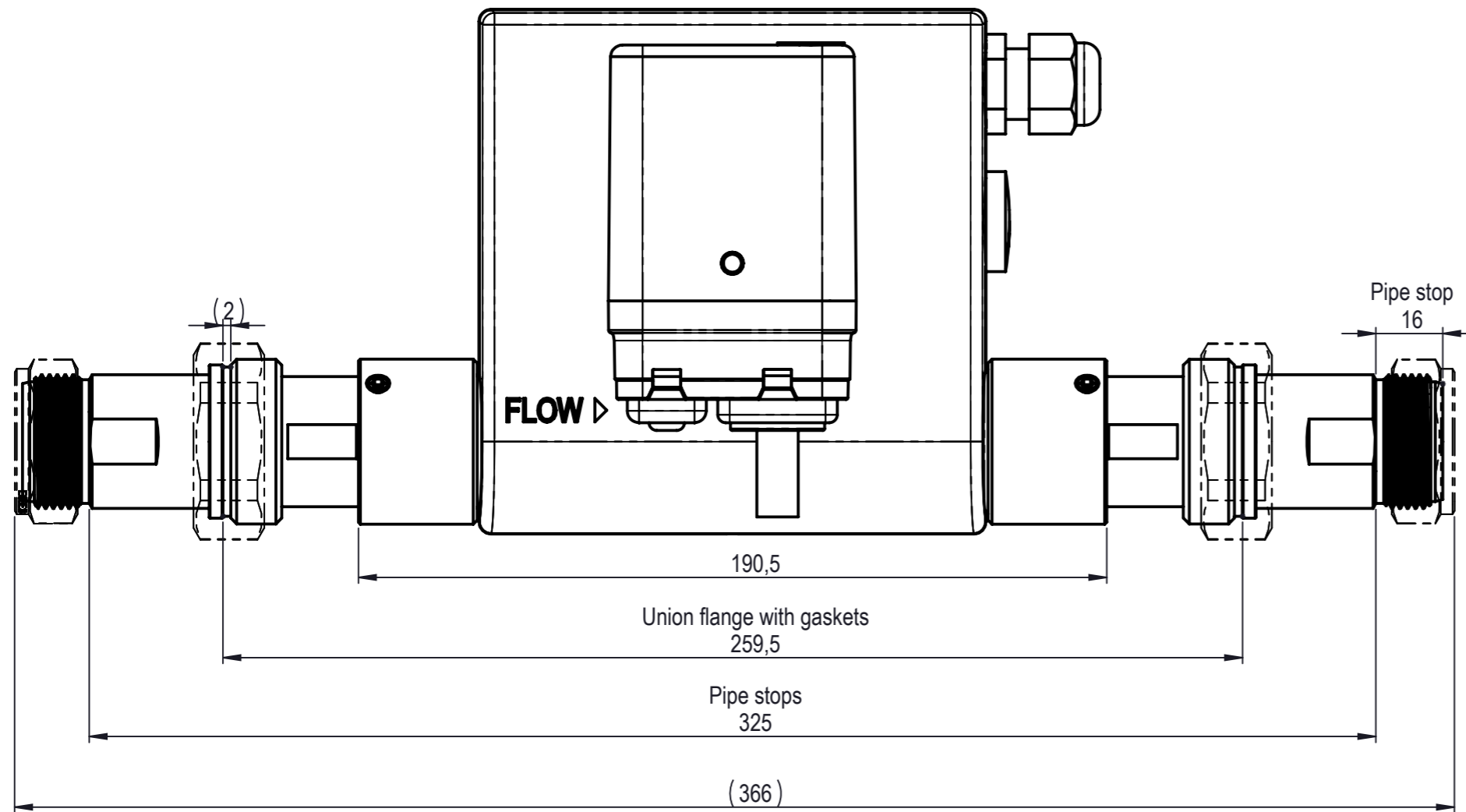
5

4

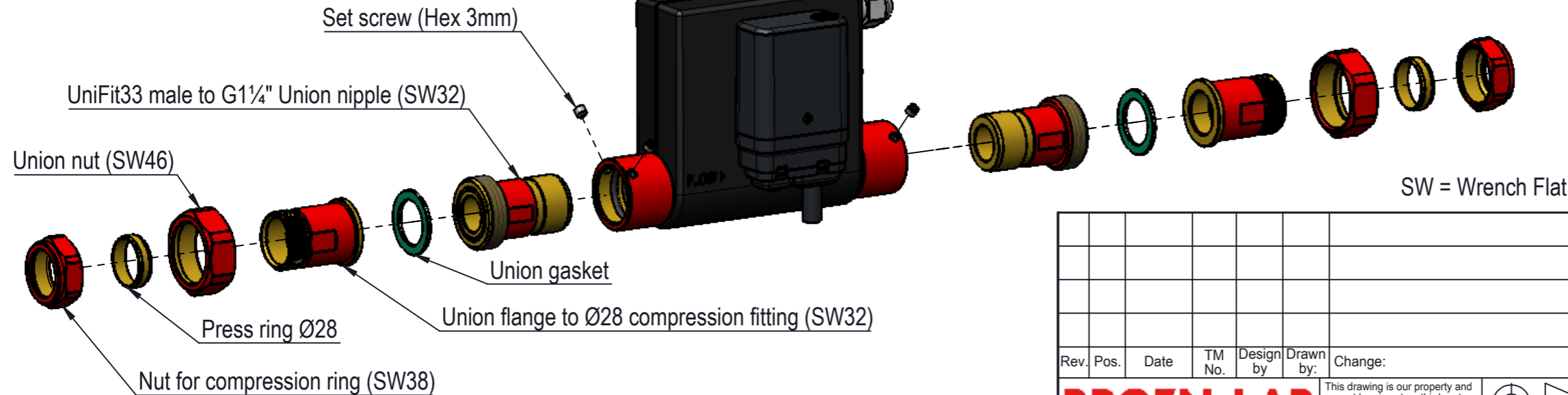
3

2

1



Falcon S1 sensor module      Falcon C1 communication module



Description:		Falcon manifold w. union Ø28 compression fitting	
Media:		Water	
Material:			
Specification:		Ø28 compression fitting, both ends	
Comments:			
Drawing type: Overview drawing		Weight: 2.09 Kg	
All dimensions marked with  are inspection dimensions			
Unspecified linear tolerances:		Unspecified angular tolerances:	
Designed by: JFR	Drawn by: JFR	Released on TM No.:	Date (DD-MM-YY): 15-01-25
Format: A3	Drawing No.:		2750005C

Rev.	Pos.	Date	TM No.	Design by	Drawn by	Change:

This drawing is our property and cannot be given to a third party, copied or otherwise used without our permission. BROEN-LAB A/S

**BROEN-LAB**

