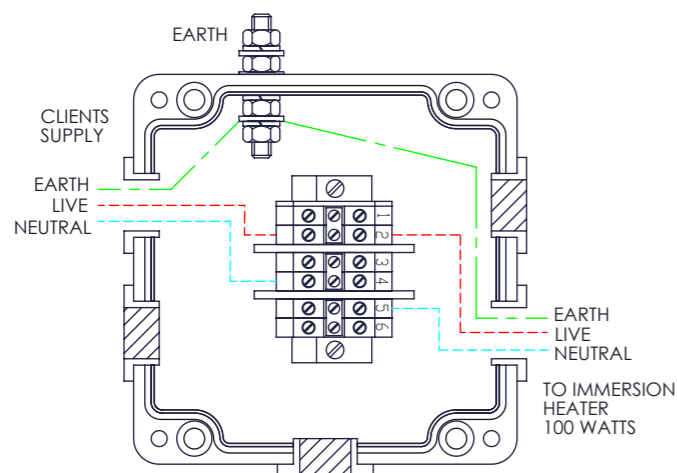
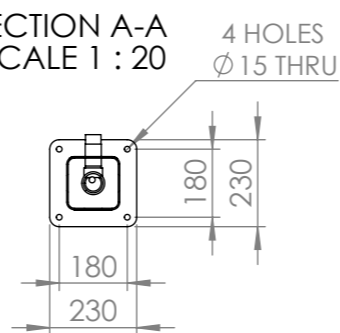


WIRING DIAGRAM



SECTION A-A SCALE 1 : 20



FROST PROTECTED EMERGENCY SAFETY SHOWER.
 MODULES ARE REMOVABLE WITH STANDPIPE IN SITU.
 MINIMUM WORKING TEMPERATURE: -35°C

BROEN-LAB

BROEN A/S
 Skovvej 30, DK-5610 Assens,
 T: +45 6471 2095 F: +45 6471 2476
 E: broen@broen.com W: www.broen.com

NAME	DATE
DRAWN: S.W.	29/10/12
CHECKED: A.L.	30/10/12
APPROVED: A.L.	30/10/12

MATERIAL:
 GALVANISED MILD STEEL

DEBUR AND BREAK SHARP EDGES
 DIMENSIONS ARE IN MILLIMETRES UNLESS SPECIFIED OTHERWISE
 TOLERANCES:
 LINEAR:
 ANGULAR:
 SCALE:1:15
 DO NOT SCALE OFF DRAWING

TITLE:
 OUTDOOR EMERGENCY SAFETY SHOWER
 SUITABLE FOR FLAMEPROOF AREAS. SUPPLY VOLTAGE 230V, 50 OR 60 HZ.

FINISH: CLEAN
 SHEET 1 OF 1
 DWG NO. H7210011000341

REVISION
A
A3