

OVERVIEW OF BROEN-LAB DN15 HOSES FOR WATER

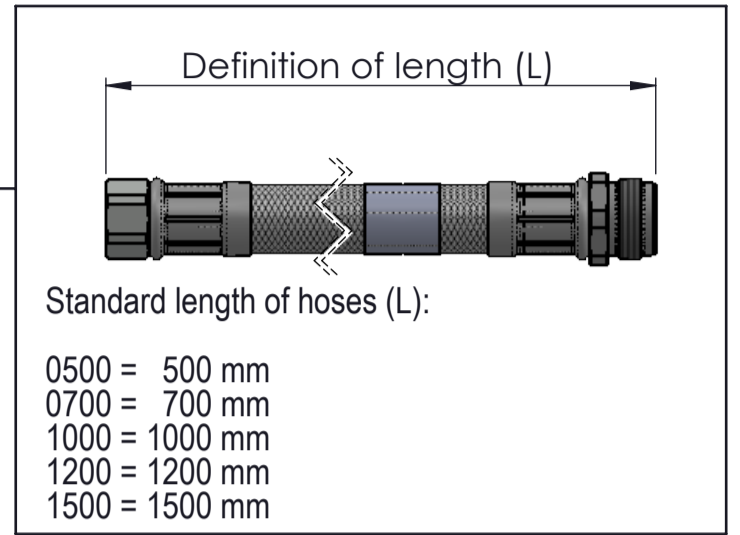
93 I XX XX XXXX

WATER

INLET CONNECTION

OUTLET CONNECTION

LENGTH



ISO 228/1 G1/2" union connection (Code 40)

Aramid fibre / NBR gasket

ISO 228/1 G3/4" union connection (Code 42)

Aramid fibre / NBR gasket

ISO 228/1 G1" union connection (Code 59)

ISO 228/1 G3/4" union connection (Code 60)

Aramid fibre / NBR gasket

Silicone DN15 hose

Marking for water with part no. and media indication

EPDM O-ring (To be placed on the nipple)

ISO 228/1 G1" fixed connection (Code 37)

EPDM O-ring (To be placed in the shower inlet)

ISO 228/1 G3/4" fixed connection (Code 33)

Aramid fibre / NBR gasket
ISO 228/1 G1/2" union connection (Code 40)

Aramid fibre / NBR gasket

ISO 228/1 G1" union connection (Code 59)

| | | | |
|---|--------------|---------------------------------|----------------|
| Description: | | DN15 hose | |
| Media: | | Water | |
| Material: | | | |
| Specification: | | Silicone hose DN15 | |
| Comments: | | | |
| Drawing type: | | Customer model | Weight: Kg |
| All dimensions made with are inspection dimensions | | | |
| Unspecified linear tolerances: | | Unspecified angular tolerances: | |
| Designed by: | Drawn by: | Released on TM No. | Date: |
| HEM | HEM | 7290 | 10-05-19 |
| Format: | Drawing No.: | | 93IXXXXXXXXXXC |
| A3 | | | |

| | | | | | | |
|------|------|----------|--------|-----------|----------|---------------|
| Rev. | Pos. | Date | TM No. | Design by | Drawn by | Change: |
| B | | 24-09-19 | 7647 | HEM | | Code 37 added |

This drawing is our property and cannot be given to a third party, copied or otherwise used without our permission. BROEN-LAB A/S

BROEN-LAB

