

Area of Application:  
Wall mounted  
Water

Max. working pressure 10 bar  
Temperature range 5°C-90°C

Details:  
Ceramic headwork open/close 180°

BROEN-LAB Satin Chrome 9090

Removable nozzle

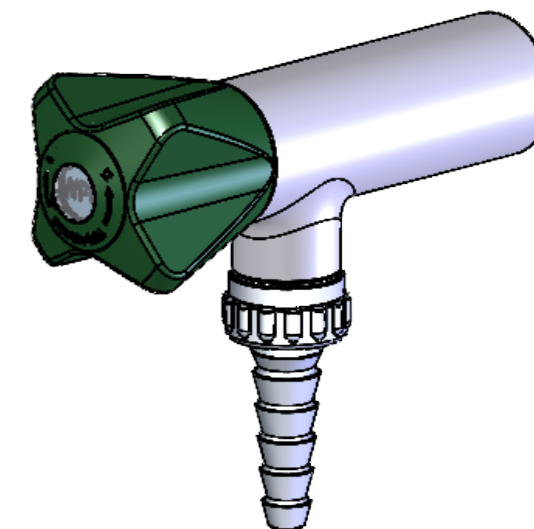
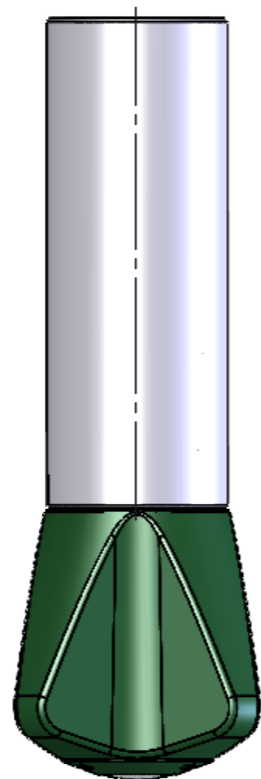
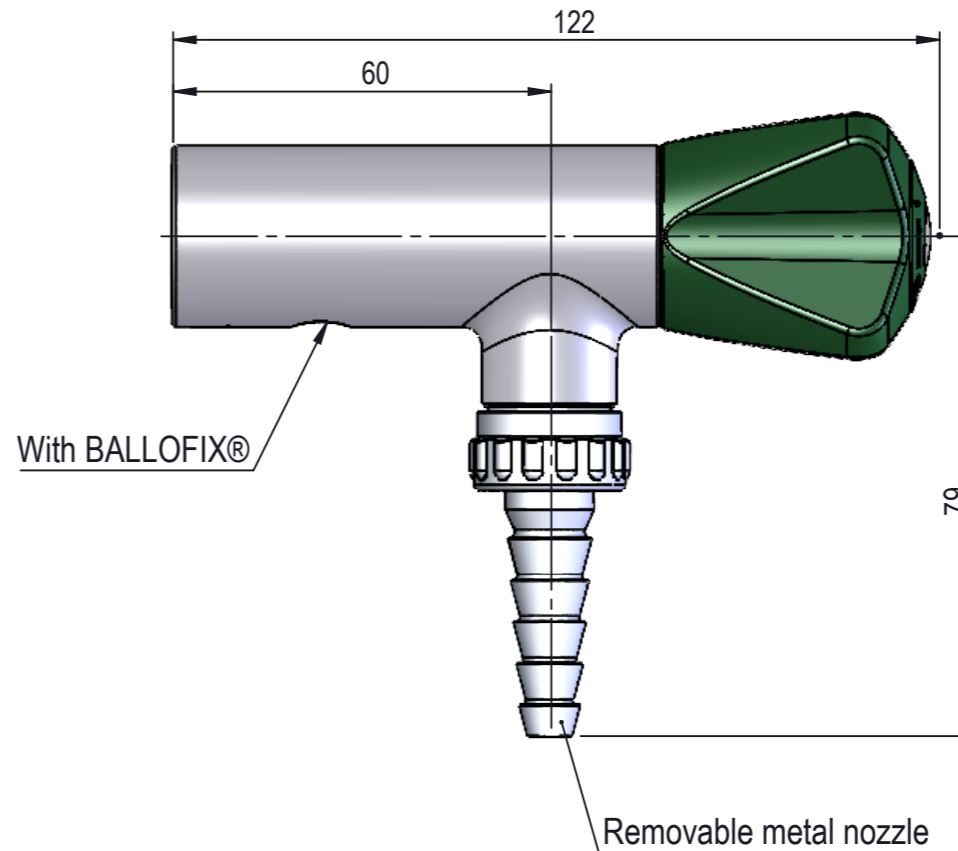
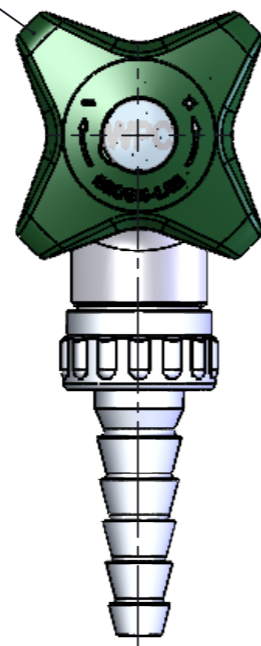
Materials in media contact:

- Brass
- Rubber, EPDM
- Silicone based lubricant
- Ceramic
- POM

Mounting:  
ISO228/1 - G½"

Inlet / outlet connection:  
ISO228/1 - G½"  
DIN 12 898 hose nozzle

Metal handle



MEDIA CODE XX FOR WATER  
ONE MEDIA FITTING  
ACCORDING TO EN 13792  
\*Model shown for WPC

Media	Media description	Media code XX
WPC	Water potable cold	01
WPH	Water potable hot	02
WCF	Water coolant, feed	05
WCR	Water coolant, return	06
WNC	Water non-potable, cold	07
WNH	Water non-potable, hot	08
WRC	River water cold	33

Description: 1-Valve, Wall mounted, 1-Hole, , DIN 12 898 hose nozzle

						Media: Water
						Comments:
						Drawing type: Customer drawing
						Weight: 0.616 Kg
Rev.	Pos.	Date	TM No.	Design by	Drawn by:	Change:
						Designed by: PEC
						Drawn by: PEC
						Released on TM No.
						Date (DD-MM-YY): 25-01-2021
<b>BROEN-LAB</b>						Format: A3
						Drawing No.: 259936110XX

This drawing is our property and cannot be given to a third party, copied or otherwise used without our permission. BROEN-LAB A/S.