

Area of Application:
Wall Flange Socket, Exposed piping
Water

Max. working pressure 10 bar

Temperature range 5°C-90°C

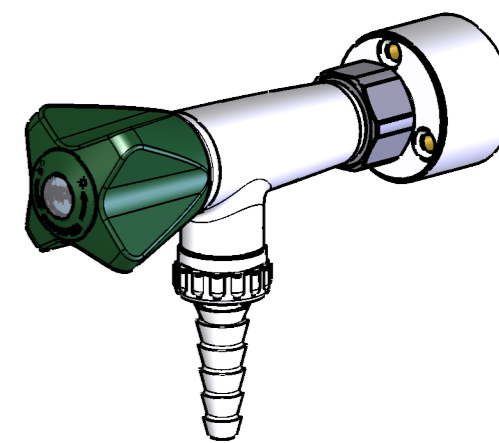
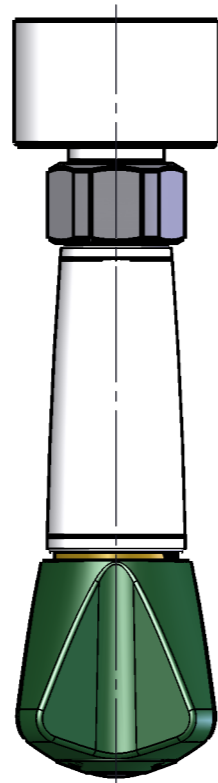
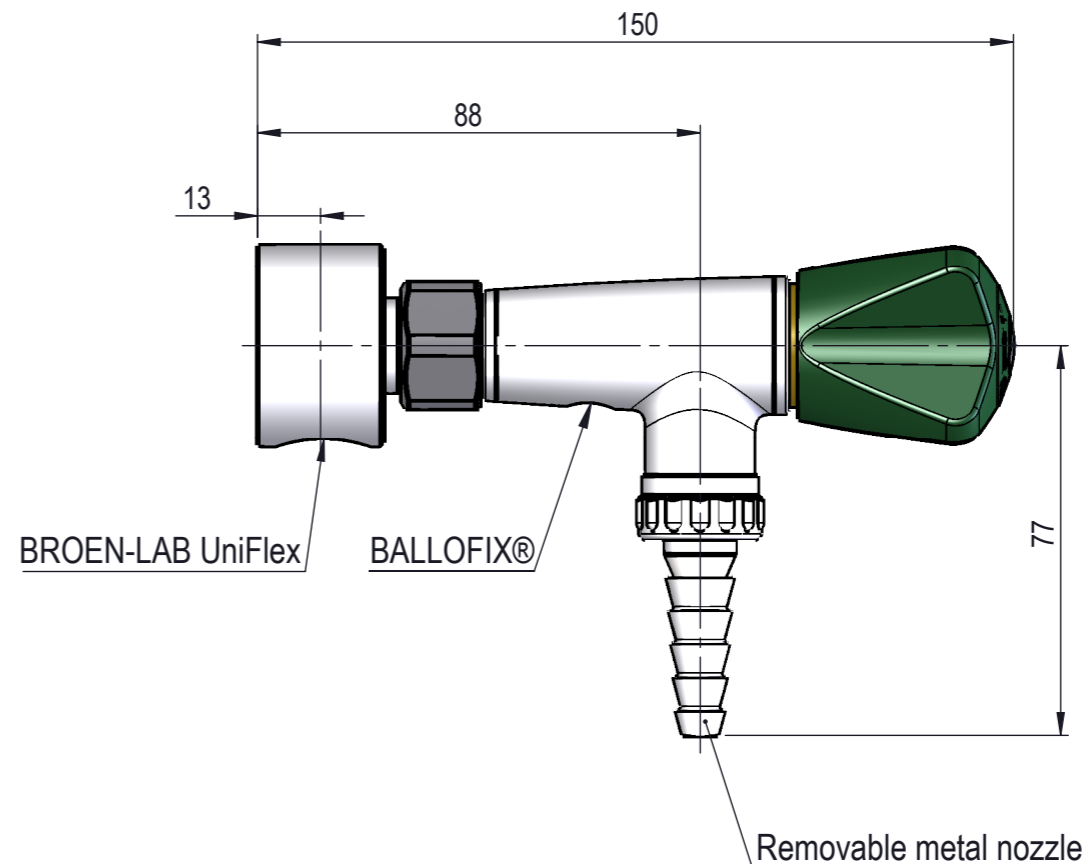
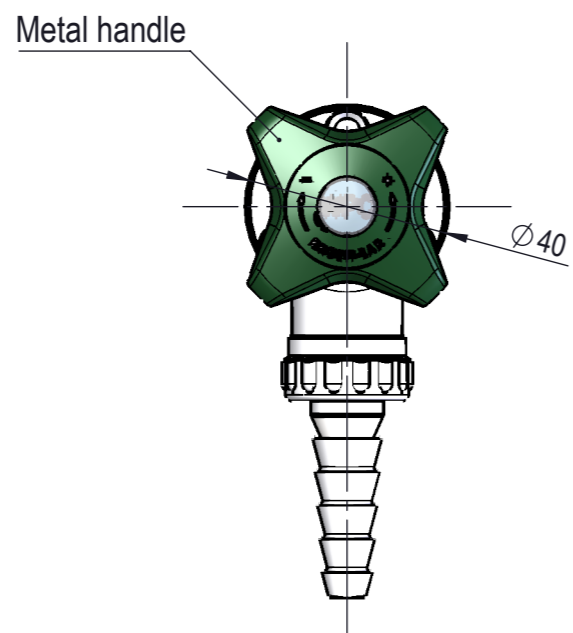
Details:
Ceramic headwork open/close 180°
3-Zone colour, acc. to EN13792:2002

Removable nozzle

Materials in media contact:
Brass
Rubber, EPDM
Silicone based lubricant
Ceramic
POM

Mounting:
Wall Flange Socket

Inlet / outlet connection:
UniFlex
DIN 12 898 hose nozzle



MEDIA CODE XX FOR WATER
ONE MEDIA FITTING
ACCORDING TO EN 13792

Media	Media description	Media code XX
WPC	Water potable cold	01
WPH	Water potable hot	02
WNC	Water non-potable, cold	07
WNH	Water non-potable, hot	08

Description: 1-Valve, Wall Flange Socket, Exposed piping, 1-Hole, Rem. Nozzle, UniFlex

						Media: Water
						Comments:
						Drawing type: Customer drawing
						Weight: 0.767 Kg
Rev.	Pos.	Date	TM No.	Design by	Drawn by:	Change:
						Designed by: KLA
						Drawn by: MWA
						Released on TM No.
						Date (DD-MM-YY): 25-01-21
BROEN-LAB						Format: A3
						Drawing No.: 253028010XX

This drawing is our property and cannot be given to a third party, copied or otherwise used without our permission. BROEN-LAB A/S.